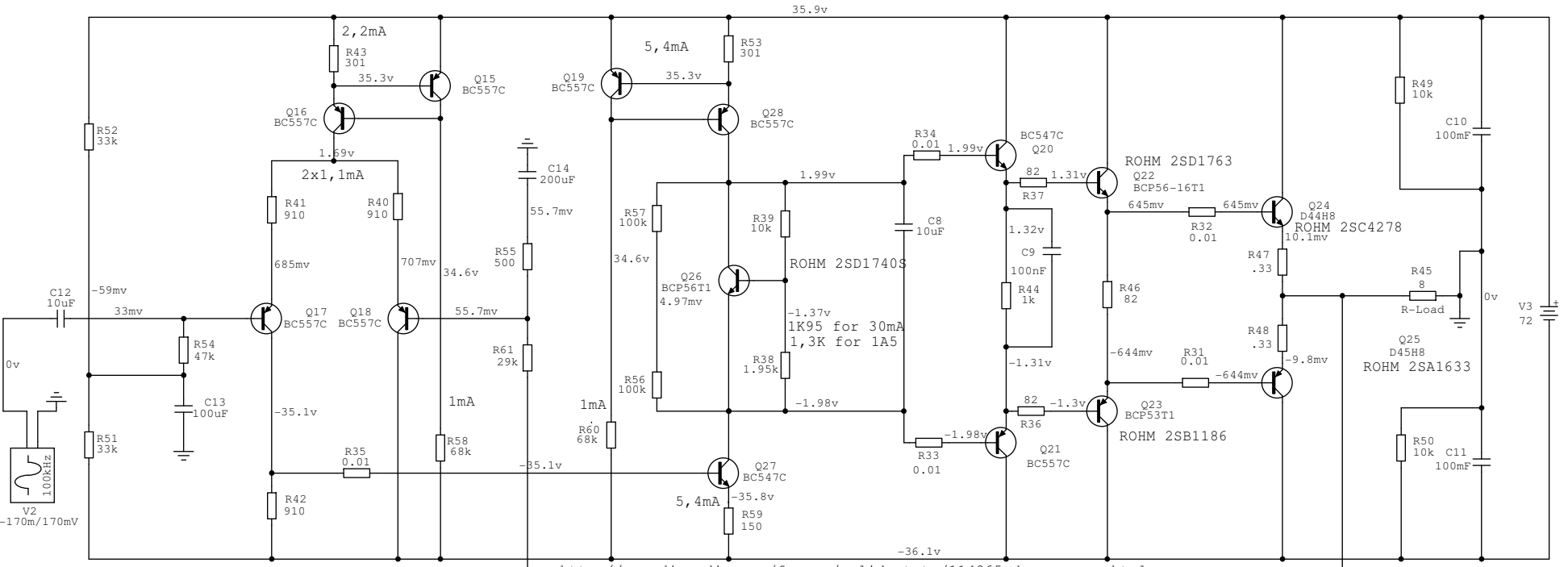


Densen topology, output stage not in the NFB loop - tested only by simulation, not in practice  
[www.tiefbassuebertragung.de](http://www.tiefbassuebertragung.de)

Densen topology, output stage in the NFB loop - tested only by simulation, not in practice



<http://www.diyaudio.com/forums/solid-state/114865-densen-amp.html>