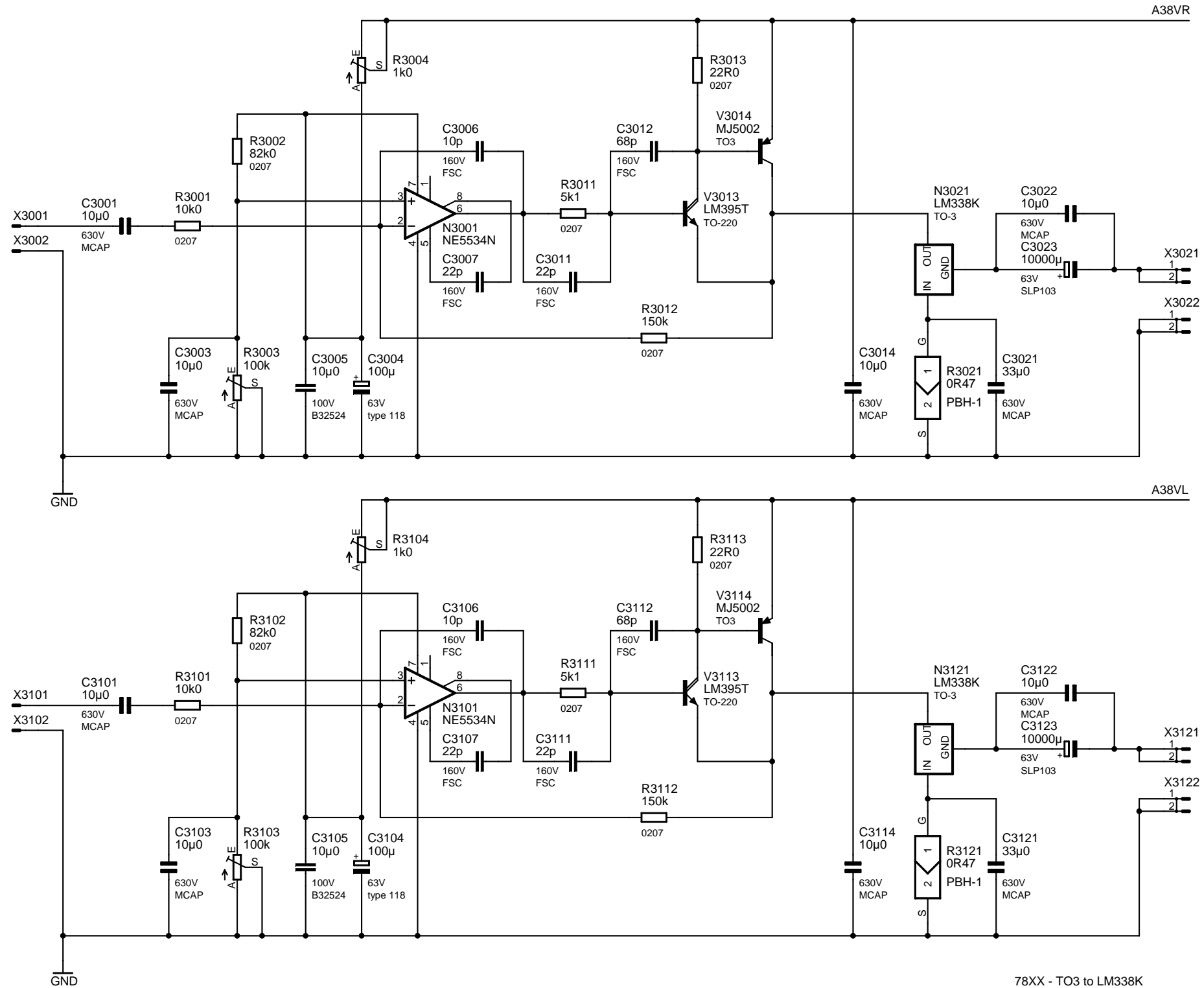


THE INFORMATION CONTAINED IN THIS DRAWING IS THE SOLE PROPERTY OF H.D.M.SCHWEITZER. ANY REPRODUCTION IN PART OR WHOLE IS STRICTLY PROHIBITED WITHOUT WRITTEN PERMISSION.

PROPRIETARY

REV	DATE	CHANGE HISTORY
001	19.06.2009	Start

ISSUE	Hardware Design Manuela Schweitzer	THIS DRAWING CONTAINS PROPRIETARY INFORMATION AND SHOULD NOT BE USED WITHOUT WRITTEN PERMISSION.	© 2009
DRAWN	TITLE 16W Class A - DC Power		REV 001
CHECKED	DATE 20.06.2009 16:15:21		DRG N°
DATE	FILE: 16W_Class_A		PAGE: 1/2



78XX - TO3 to LM338K  
 OUT = IN  
 IN = ADJ  
 GND = OUT

THE INFORMATION CONTAINED IN THIS DRAWING IS THE SOLE PROPERTY OF H.D.M.SCHWEITZER. ANY REPRODUCTION IN PART OR WHOLE IS STRICTLY PROHIBITED WITHOUT WRITTEN PERMISSION.

PROPRIETARY

REV	DATE	CHANGE HISTORY
001	19.06.2009	Start

ISSUE	Hardware Design Manuela Schweitzer	THIS DRAWING CONTAINS PROPRIETARY INFORMATION AND SHOULD NOT BE USED WITHOUT WRITTEN PERMISSION.	© 2009
DRAWN	TITLE <b>16W Class A - Amplifier Right/Left</b>		REV 001
CHECKED	DATE 20.06.2009 16:15:21	DRG N°	
DATE	FILE: 16W_Class_A	PAGE: 2/2	