

6

5

4

3

2

1

D

C

B

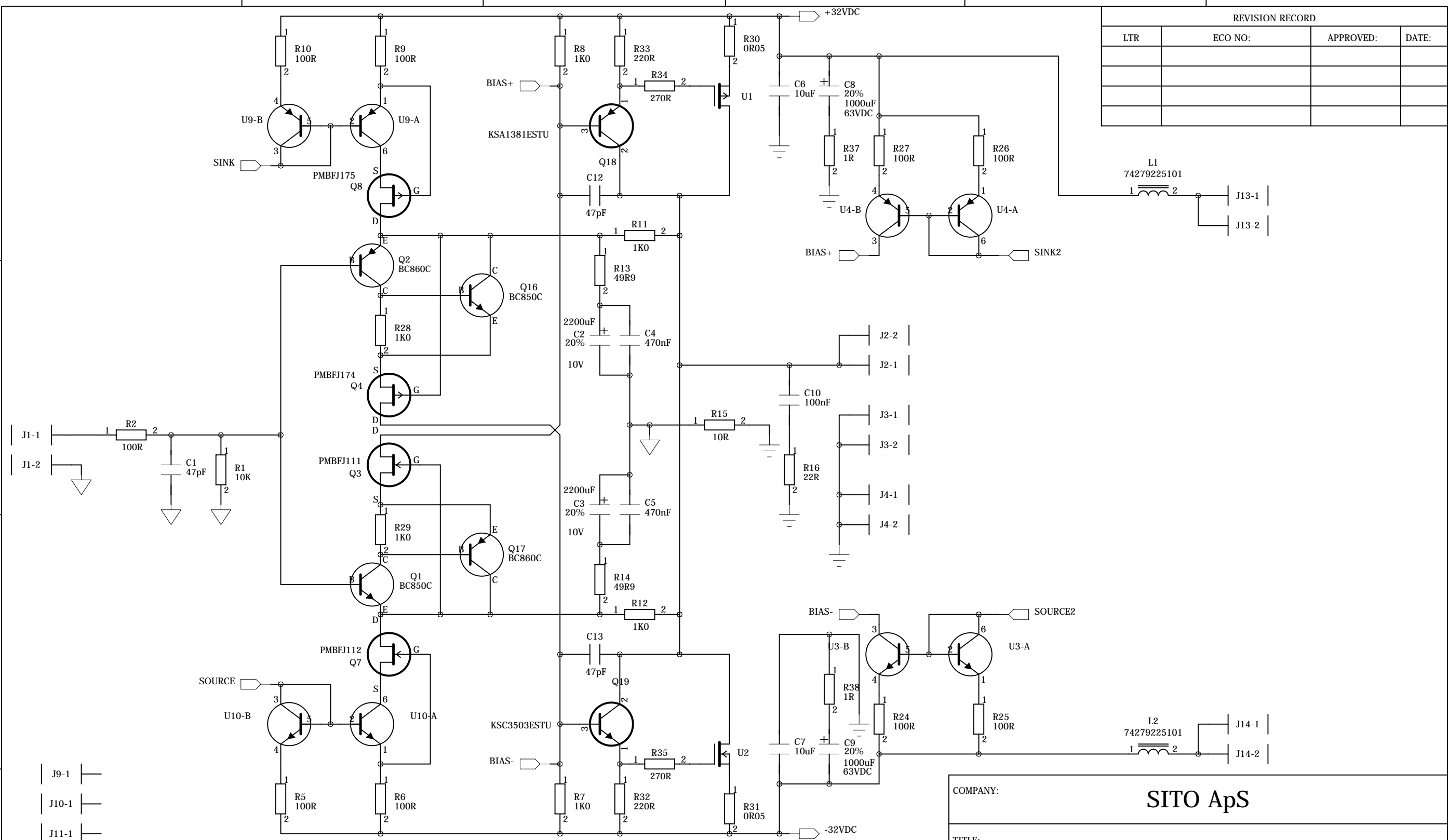
A

D

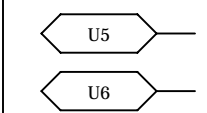
C

B

A



REVISION RECORD			
LTR	ECO NO:	APPROVED:	DATE:



COMPANY: SITO ApS			
TITLE: TSSA V1.7 (not for commercial use)			
CODE:	SIZE:	DRAWING NO:	REV:
<Code>	A3	<Drawing Number>	1.4
DRAWN: Sonny Andersen		DATED: 27-04-12	
CHECKED: Sonny Andersen		DATED: 28-04-12	
QUALITY CONTROL: <QC By>		DATED: <QC Date>	
RELEASED: 07-08-12		DATED: <Release Date>	
SCALE: <Scale>		SHEET: 1 OF 2	

DRAWN: Sonny Andersen	DATED: 27-04-12
CHECKED: Sonny Andersen	DATED: 28-04-12
QUALITY CONTROL: <QC By>	DATED: <QC Date>
RELEASED: 07-08-12	DATED: <Release Date>

6

5

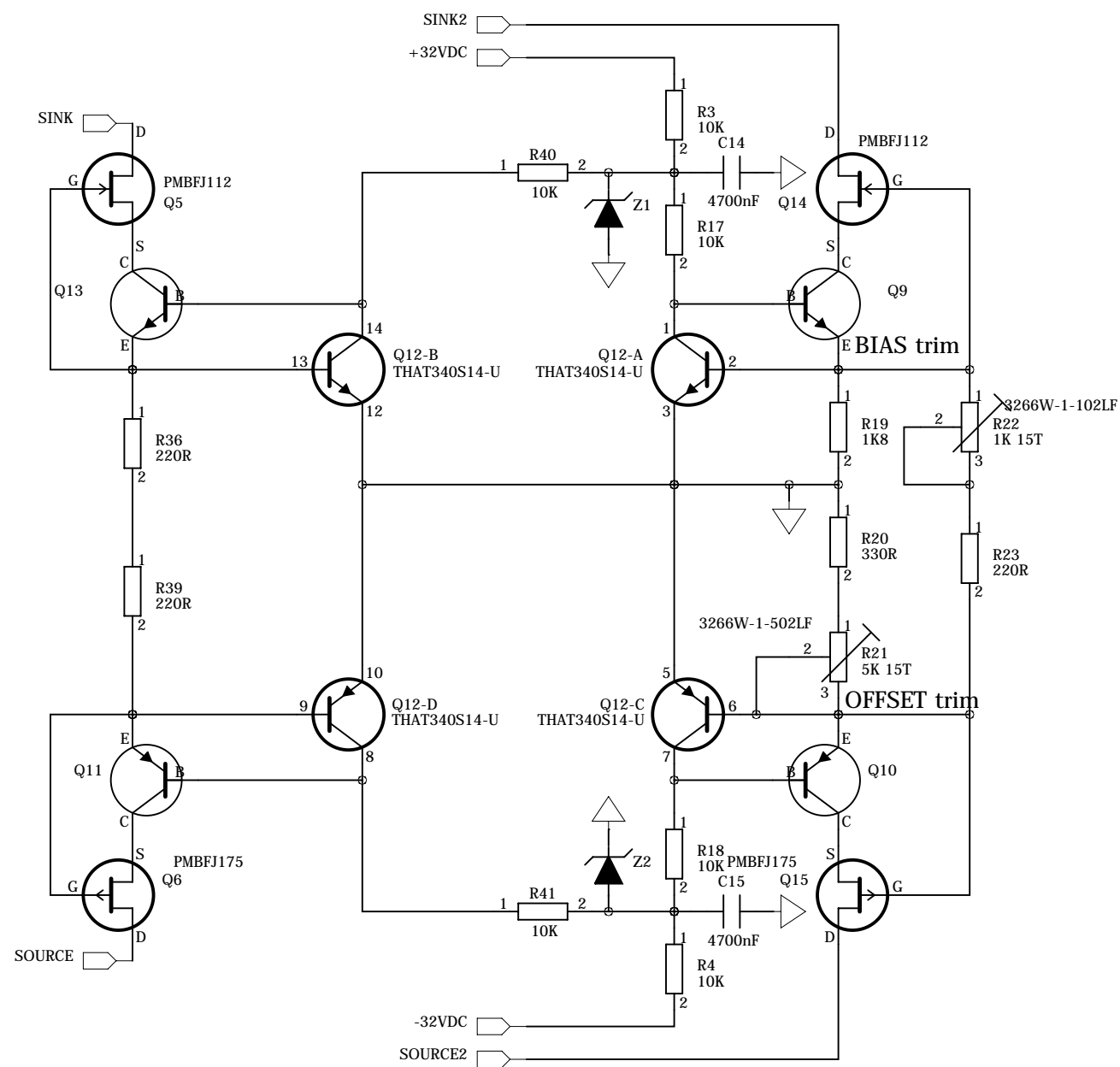
4

3

2

1

REVISION RECORD			
LTR	ECO NO:	APPROVED:	DATE:



COMPANY: SITO ApS			
TITLE: TSSA V1.7 (not for commercial use)			
CODE:	SIZE:	DRAWING NO:	REV:
<Code>	A3	<Drawing Number>	1.4
SCALE: <Scale>			SHEET: 2 OF 2

DRAWN: Sonny Andersen	DATED: 27-04-12
CHECKED: Sonny Andersen	DATED: 28-04-12
QUALITY CONTROL: <QC By>	DATED: <QC Date>
RELEASED: 07-08-12	DATED: <Release Date>

D

C

B

A

D

C

B

A