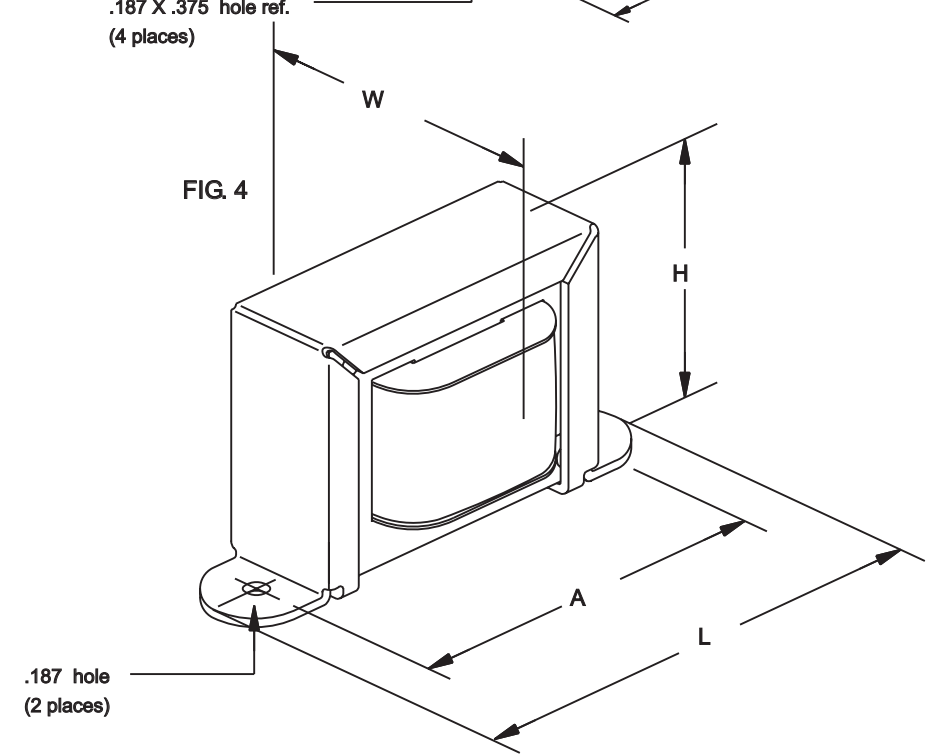
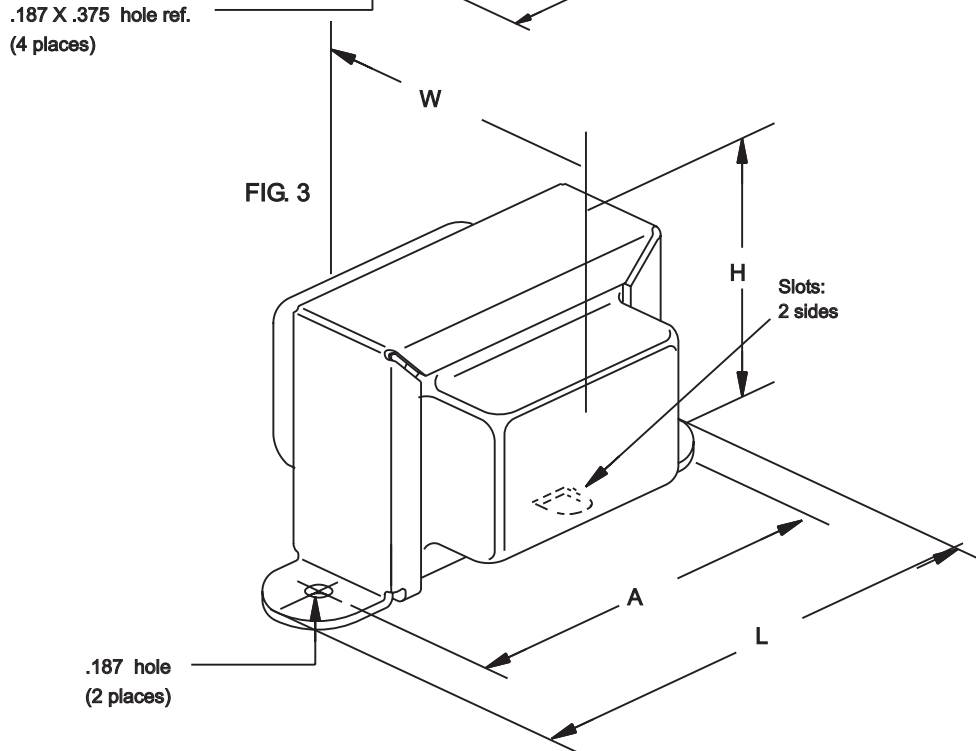
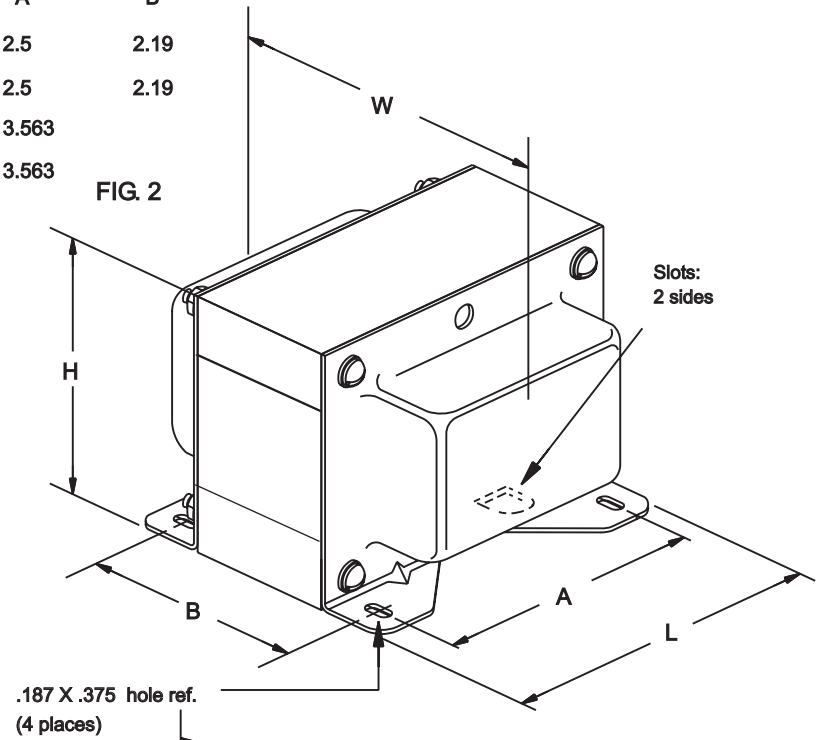
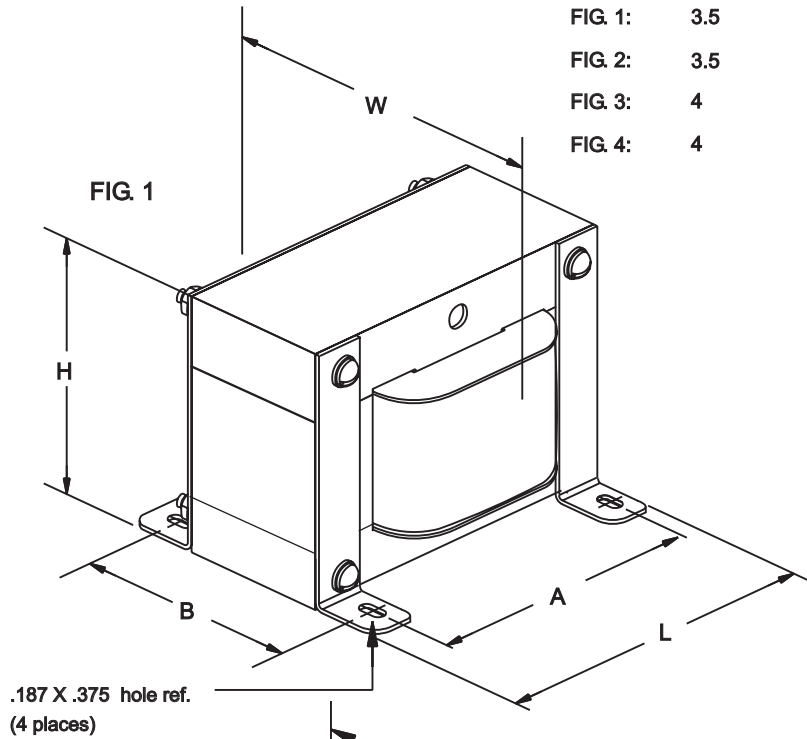


SALAS shunt for DAC power transformer

	L	W MAX.	H	A	B
FIG. 1:	3.5	2.5	2.50	2.5	2.19
FIG. 2:	3.5	3.35	2.50	2.5	2.19
FIG. 3:	4	3.58	2.62	3.563	
FIG. 4:	4	2.5	2.62	3.563	



DIMENSIONS IN INCHES ARE FOR REFERENCE ONLY.