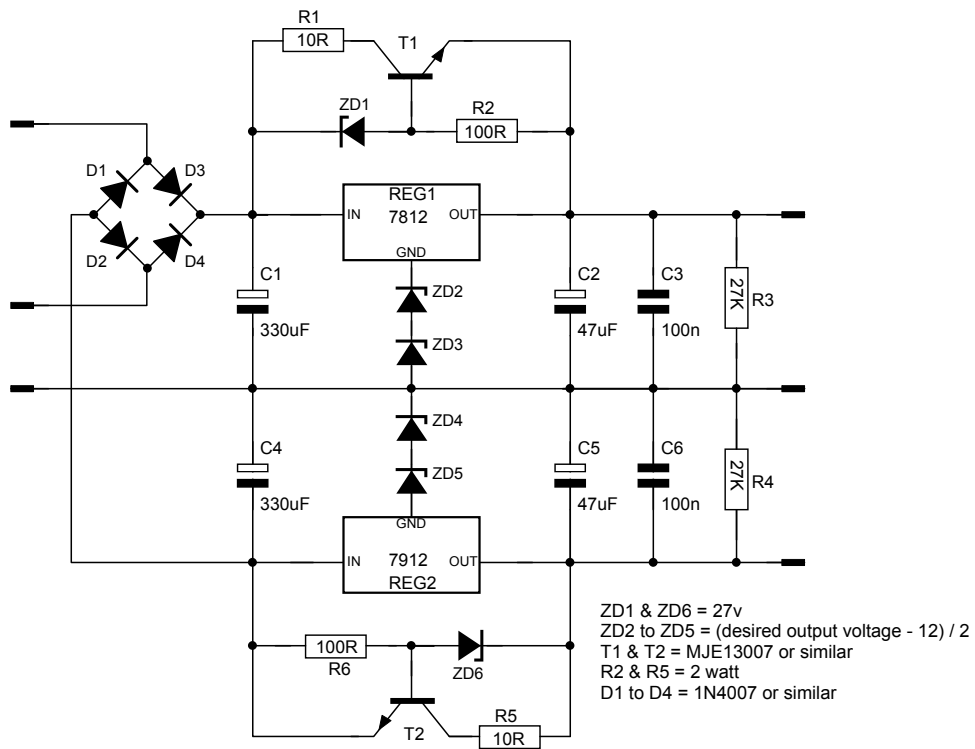


HIGH VOLTAGE REGULATOR CIRCUIT



OPERATION

Zener diodes ZD1 & ZD6 with transistor T1 & T2 protect the regulator whenever the input - output differential exceeds 27 volts. I.e. during power up while the output capacitors charge.

The circuit can be used for voltage outputs from 30v to 100v or more, provided the settled input - output voltage differential never exceeds 25 volts.

With a heatsink the circuit is suitable for output currents of a few hundred milliamps.

