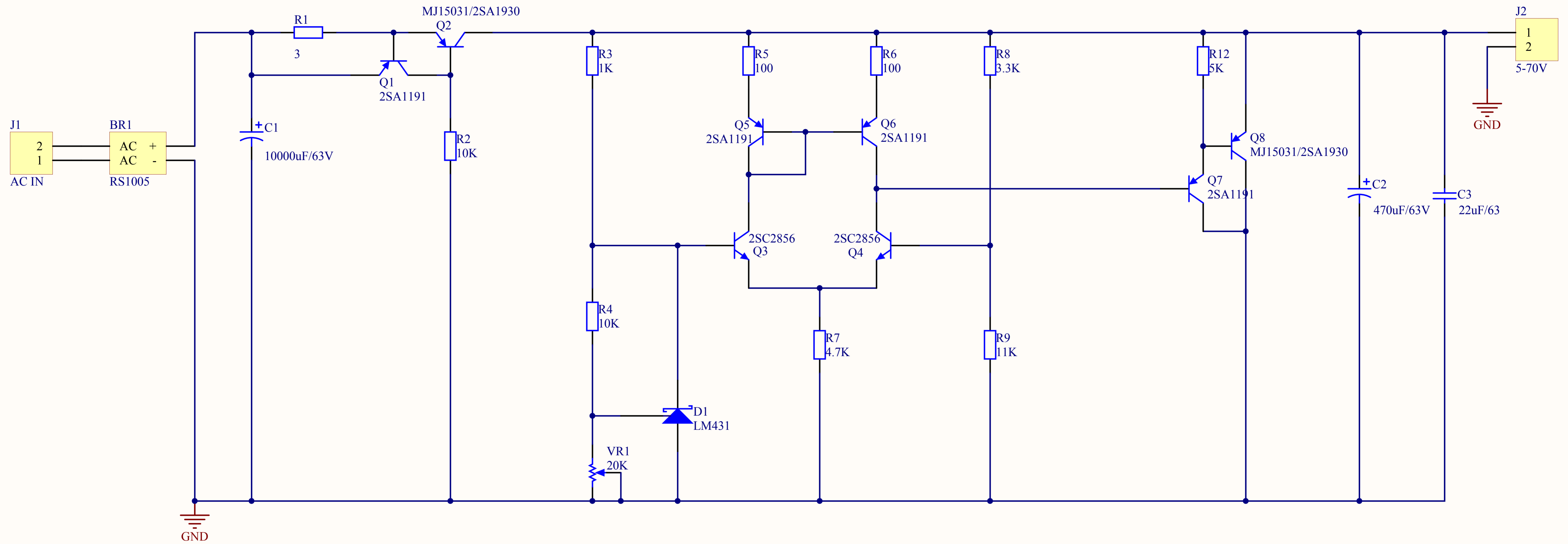


# Transistor Shunt Regulator

Analog Metric



Title		
Size	Number	Revision
A4		
Date:	20/1/2010	Sheet of
File:	\\..LV Shunt Regulator.SchDoc	Drawn By: