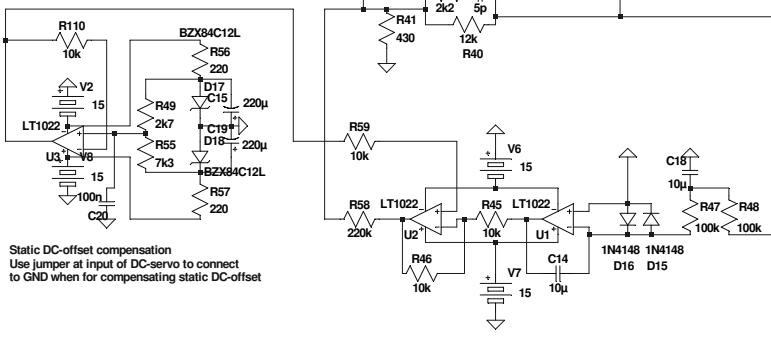


Choose R9 / R10 430R - to achieve 2.3 - 2.4mA bias through IPS
 Choose R22 / P1 to achieve 150mA - 250mA through OPS : SUM 4k3 MEASURED FOR 200Ma
 BOB216 = 2SK216 (2SK2013 on pcb)
 BOB79 = 2SJ79 (2SJ1313 on pcb)



Static DC-offset compensation
 Use jumper at Input of DC-servo to connect to GND when for compensating static DC-offset