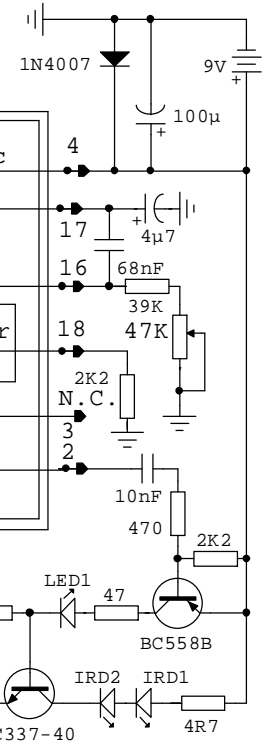
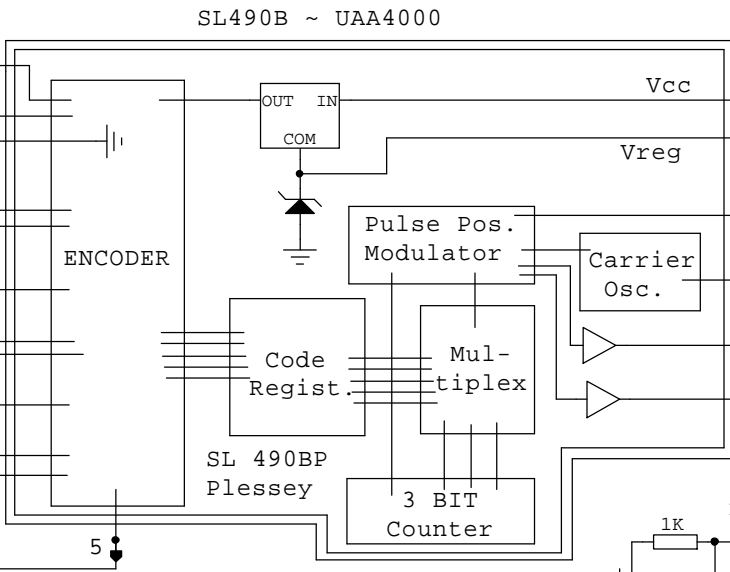
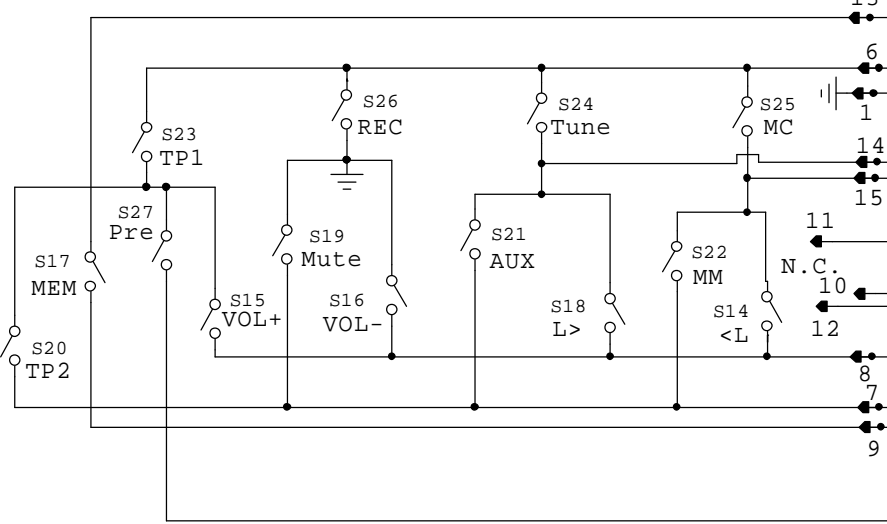


U4
U5 U3 U2 U1 U2
U48 U48 U48 U48
U48

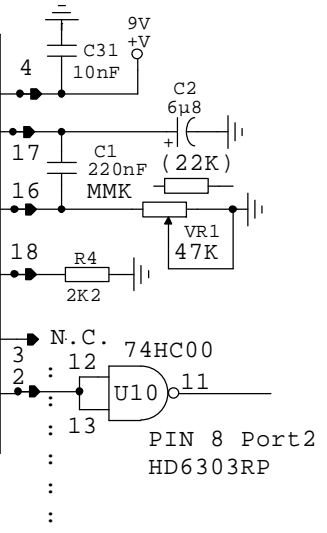
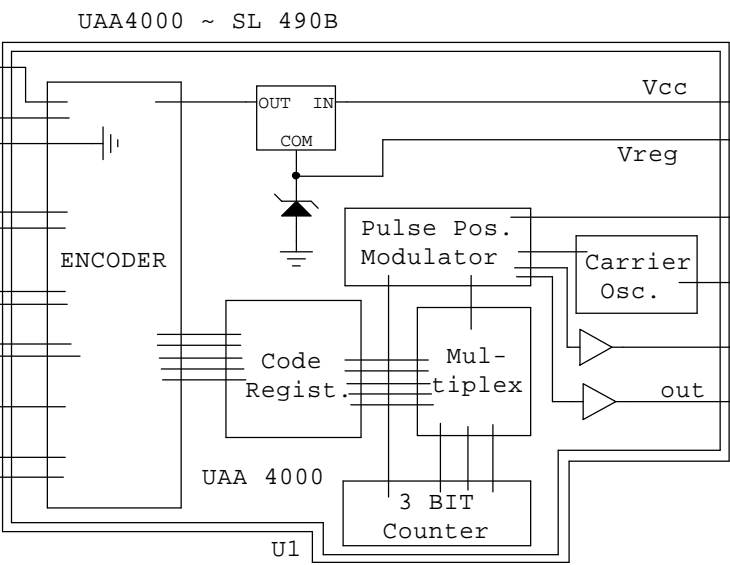
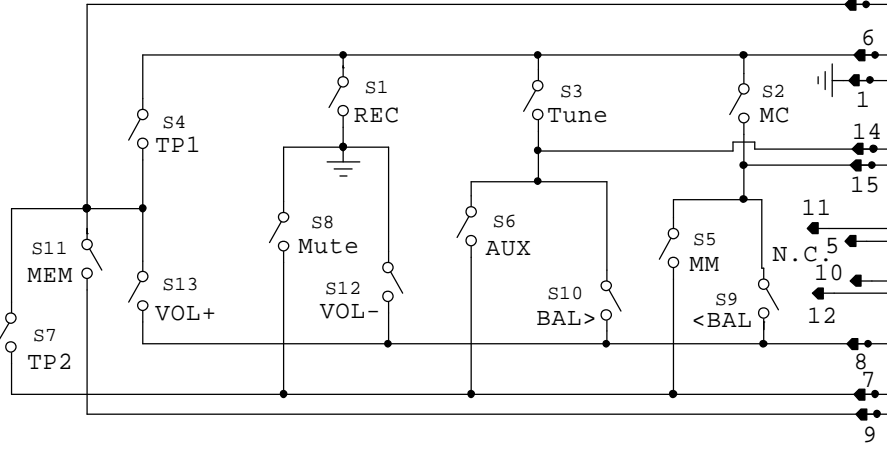
IR - Transmitter
(RUWIDO Board 36 138 00)

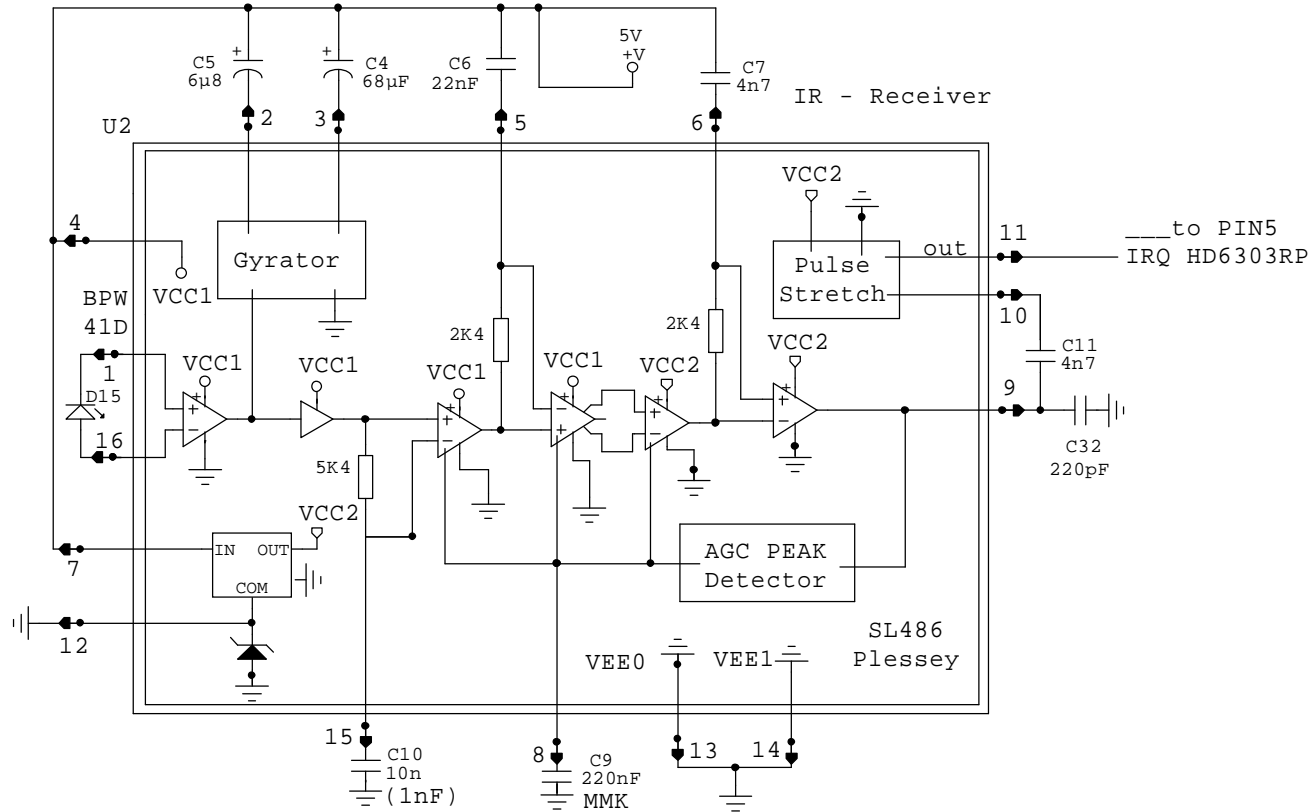


Linn LK 1
Operating Keyboards
(MCU-Board and Remote
control Transmitter)

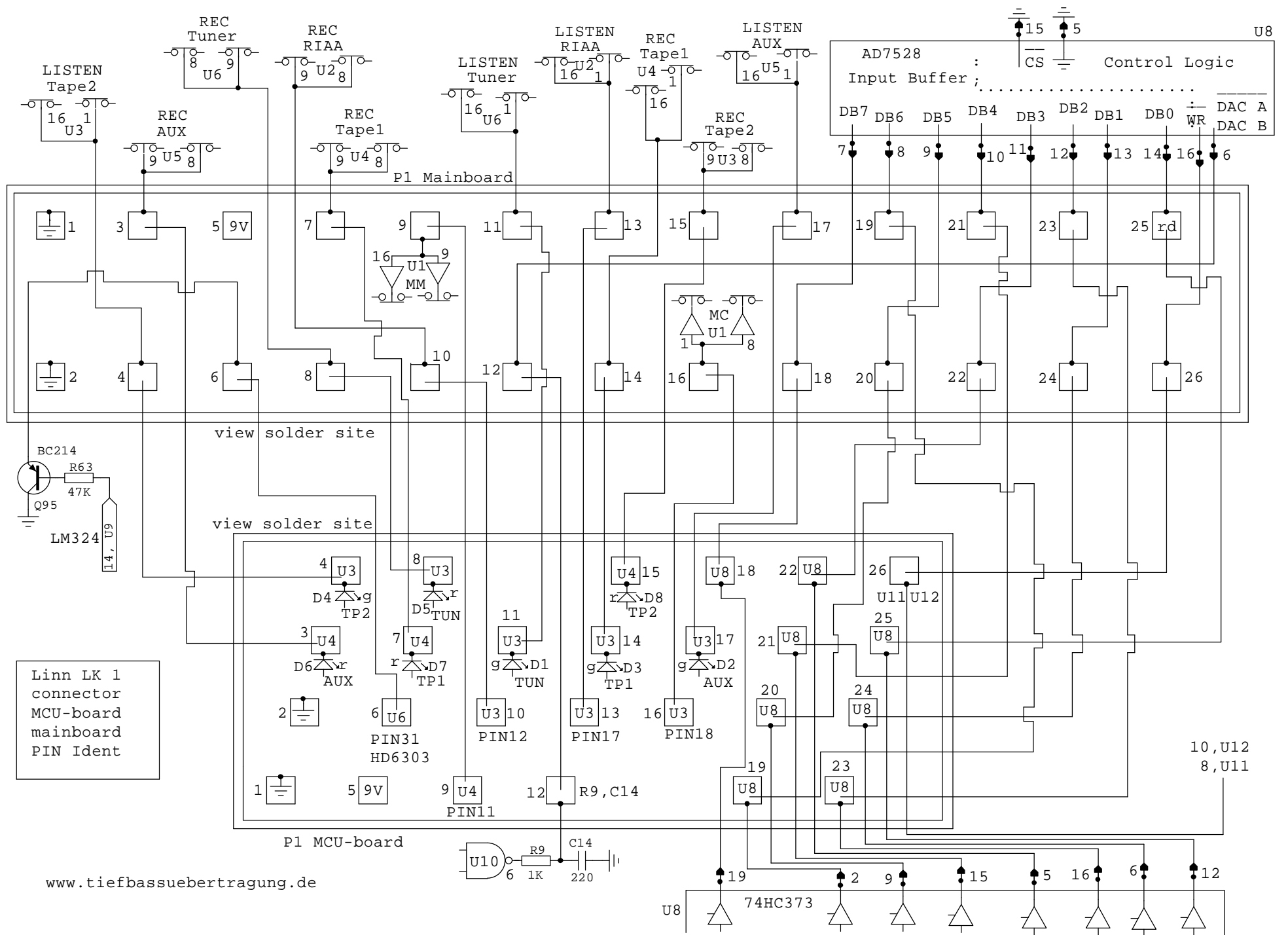
www.tiefbassuebertragung.de

S1 - S13 = Rubber-Keyboard

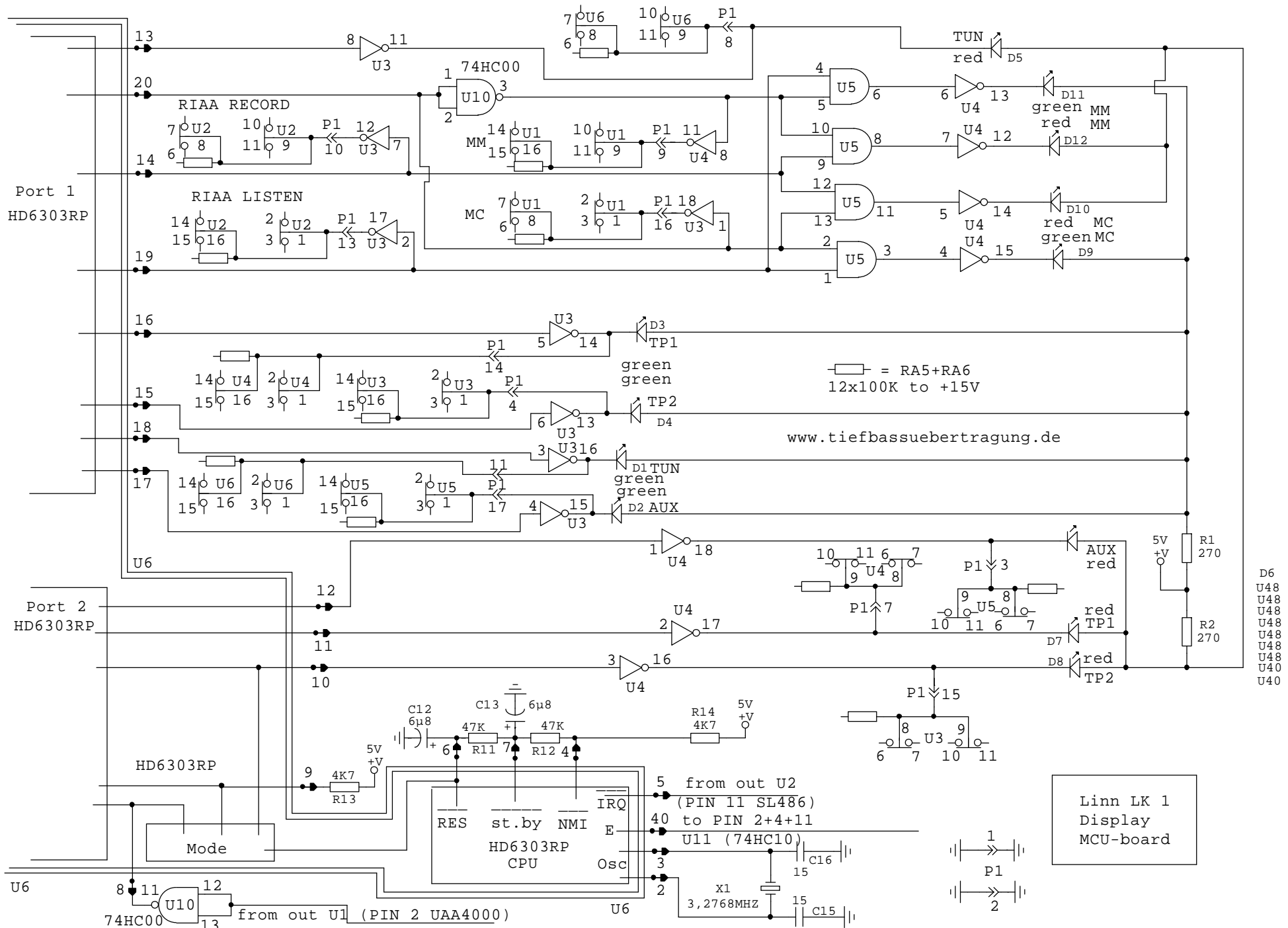




Linn LK1 IR-remote control Receiver MCU-Board

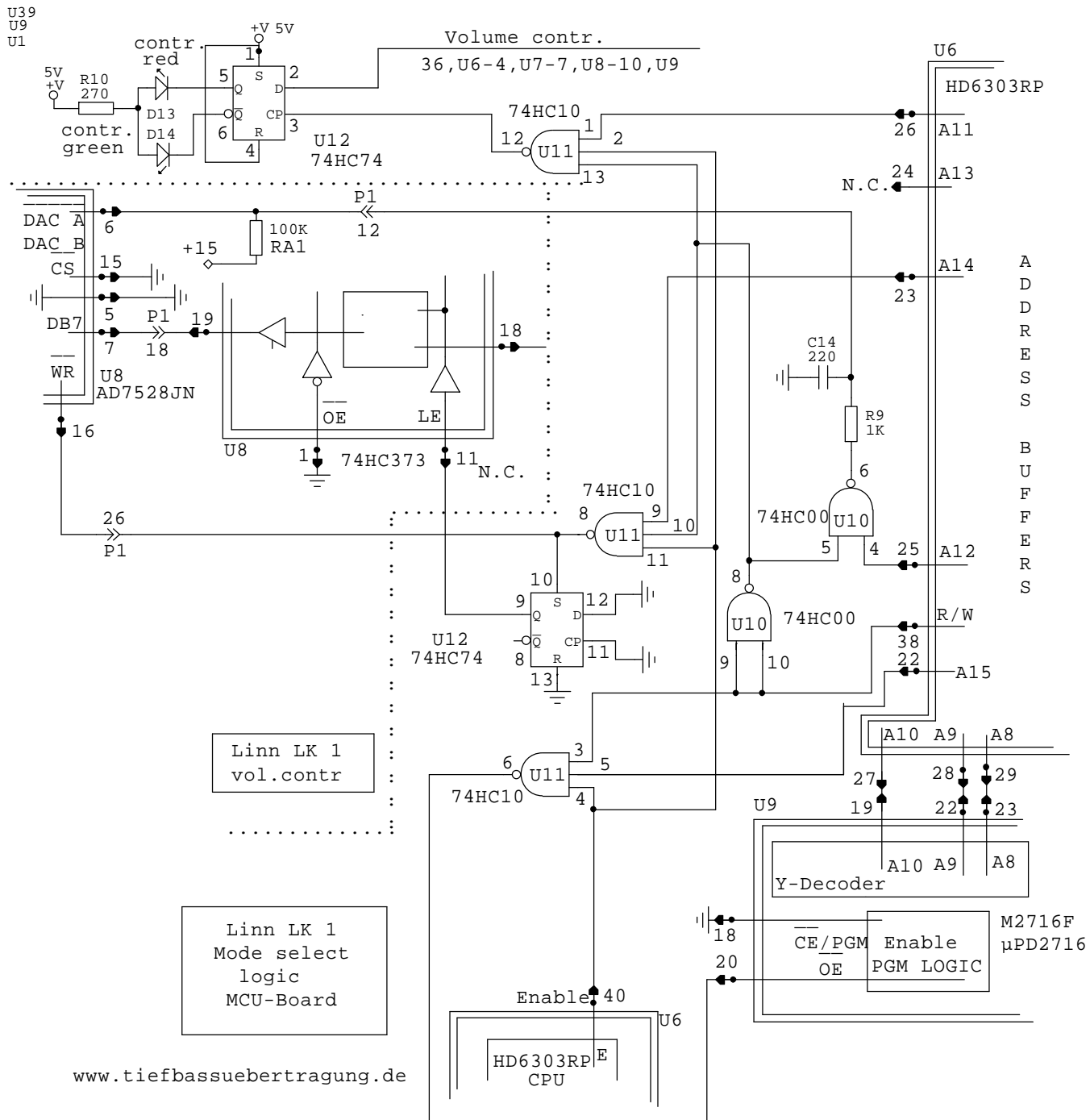


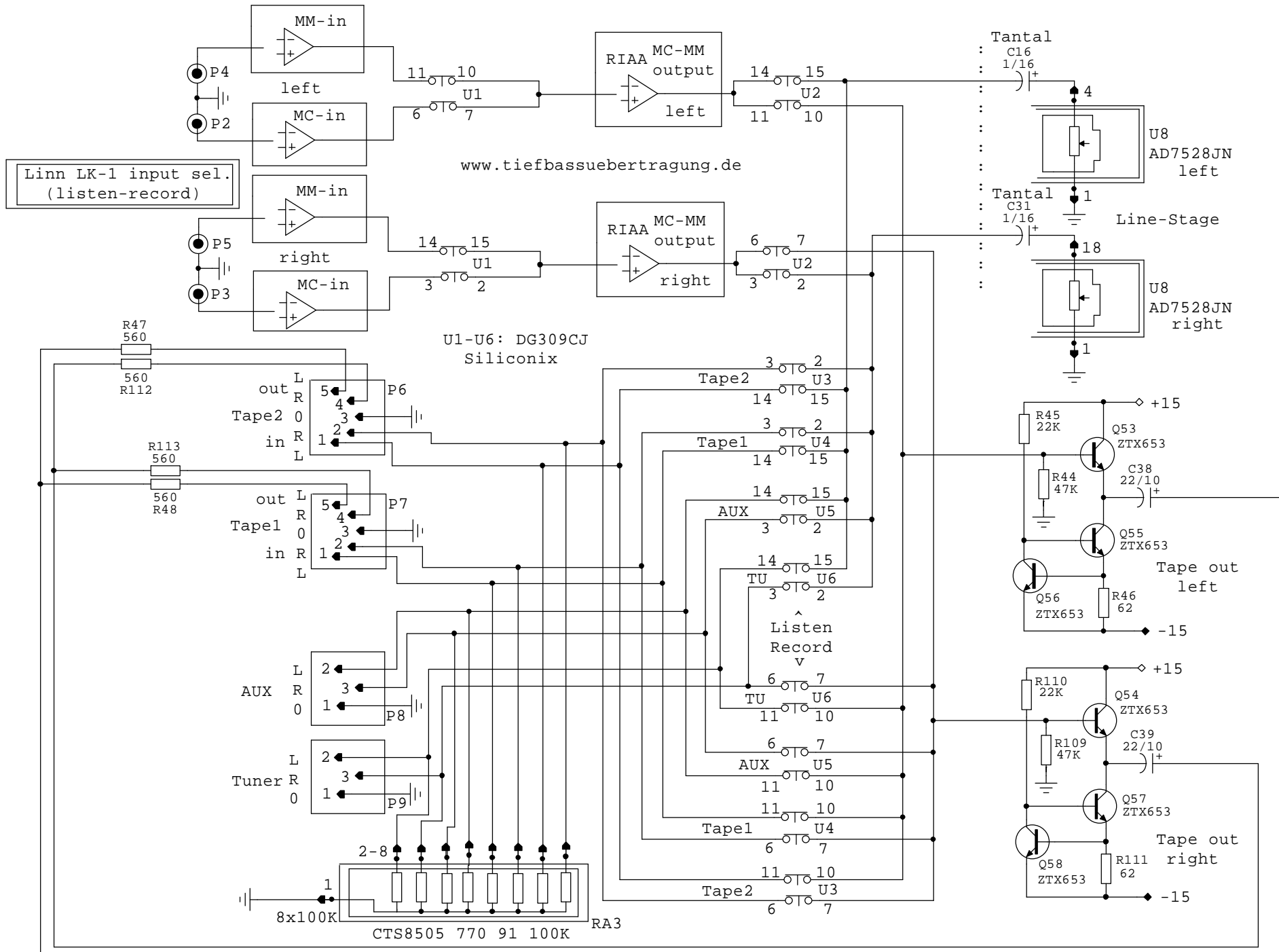
Linn LK 1
connector
MCU-board
mainboard
PIN Ident



- D6
- U48
- U48
- U48
- U48
- U48
- U48
- U40
- U40

Linn LK 1
Display
MCU-board





ICs MCU-Board PCAS 002 V3 CGI36 85 Linn LK 1:
=====

U 1: UAA4000 DIL18
U 2: SL486 DIL16
U 3: ULN2803A DIL18
U 4: ULN2803A DIL18
U 5: 74HC08 DIL14
U 6: HD6303RP DIL40 (MCU)
U 7: SN74HC373N DIL20
U 8: SN74HC373N DIL20
U 9: M2716FI DIL24 (EPROM Software MK III)
U10: SN74HC00 DIL14
U11: SN74HC10 DIL14
U12: SN74HC74 DIL14
RC : SL490B DIL18 (IR-Transmitter)

ICs Mainboard PCAS 001 V4 CGI37 85 Linn LK 1:
=====

U1-U6: DG309CJ DIL16
U7: LM358 DIP 8
U8: AD7528JN DIL20
U9: LM324 DIL14
U10: LM317 TO220

