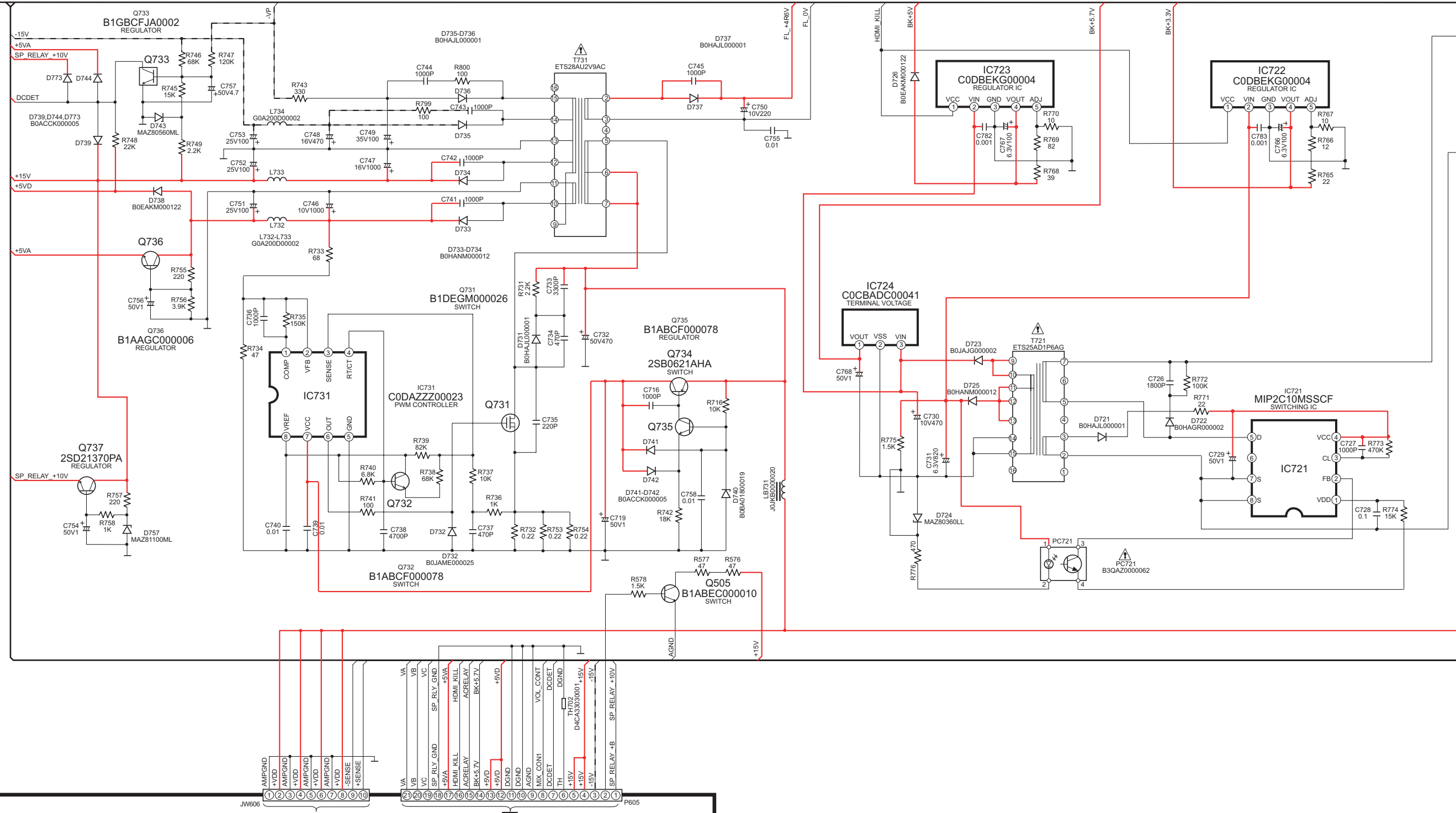


SCHEMATIC DIAGRAM - 19

POWER CIRCUIT

— : -B SIGNAL LINE — : +B SIGNAL LINE



TO MAIN (DIG2) CIRCUIT (P606) ON SCHEMATIC DIAGRAM-10

TO MAIN (DIG1) CIRCUIT (PB605) ON SCHEMATIC DIAGRAM-6

Edited by Foxit PDF Editor
Copyright (c) by Foxit Software Company, 2004
For Evaluation Only.