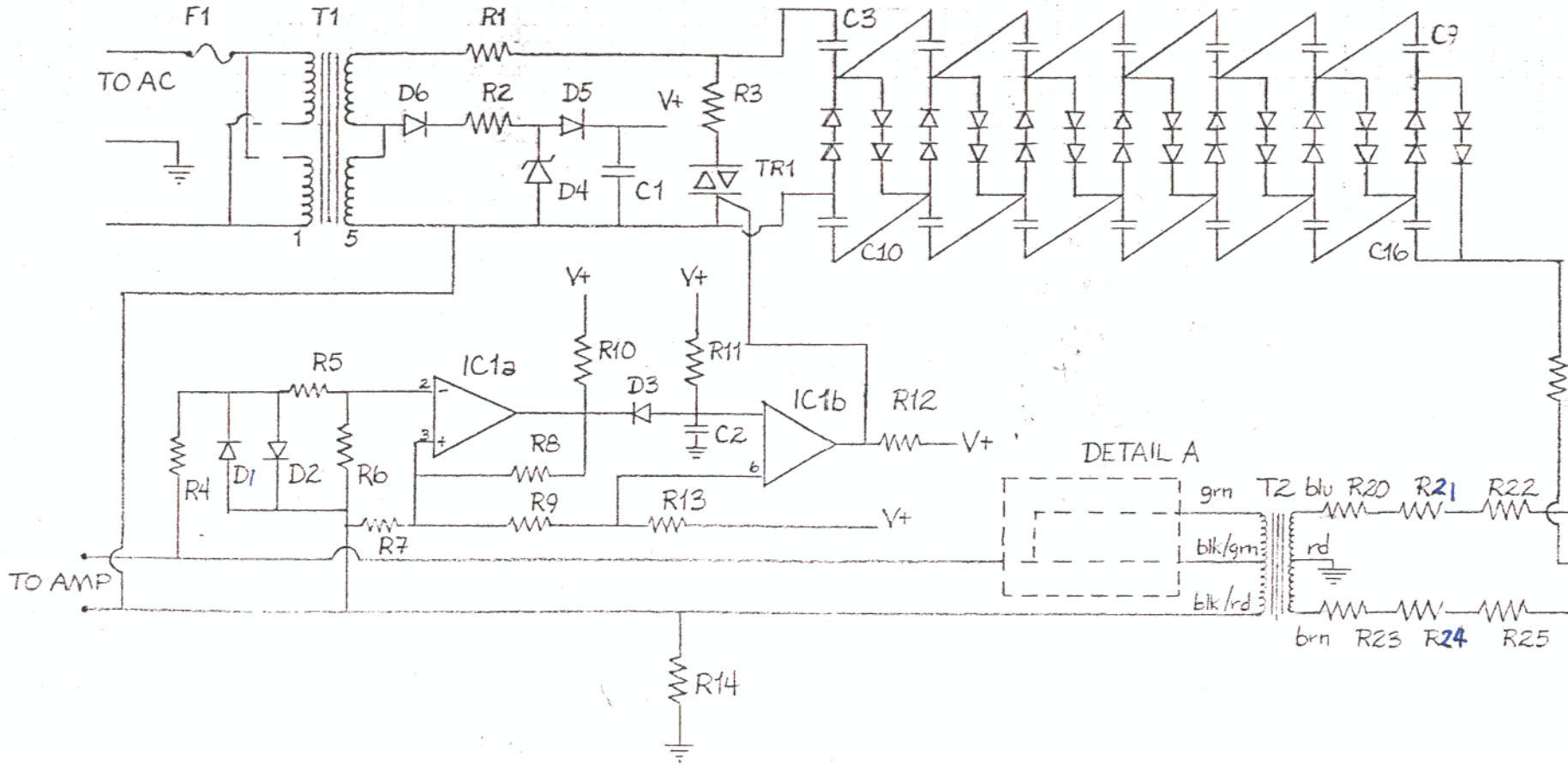
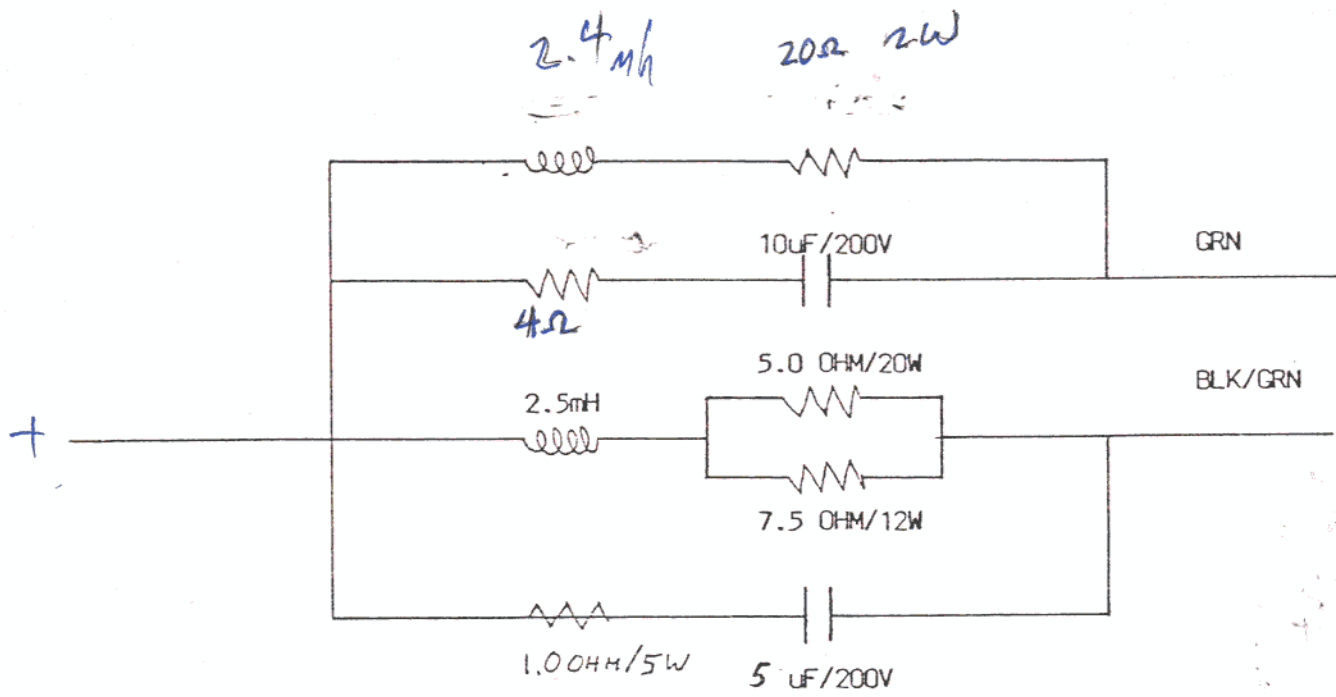


Approx. 280 volts at X former pins 5 and 6



CS  
Power Supply



		PROJECT NO.
		DATE: 01 JUL 8
Comments:		
TONE-SHAPING		CLS
<b>MARTIN·LOGAN</b> the electrostatic loudspeaker technology co		

C1 - 220uF/25V  
C2 - 10uF/20V  
C3-16 - 0.01uF/1000V

D1-3,5 - 1N4148  
D4 - 1N4742  
ALL OTHERS - 1N4007

F1 - AGC 0.5A

IC1 - LM3934  
R1 - 27K OHM/2W  
R2,3 - 15K OHM/2W  
R4-6 - 10K OHM/.25W  
R7 - 1K OHM/.25W  
R8-10, 13, 14 - 220K OHM/.25W

R11 - 1M OHM/.25W  
R12 - 3K OHM/.25W

R15-19 - 164 OHM/.5W ← REPLACED BY R19 - 500M 1/2W. SER # 3814 AND ABOVE  
R20-25 - 330 OHM/.5W ← ONLY ON # 3814 AND ABOVE

T1 - MCI 4-5-1230  
T2 - AUDIO

TR1 - RCA T2300D

	PROJECT NO.
	DATE:
Comments:  PARTS LIST	
<b>MARTIN LOGAN</b> the electrostatic loudspeaker technology co.	CLS
CLS ELECTRONICS	2 OF 3