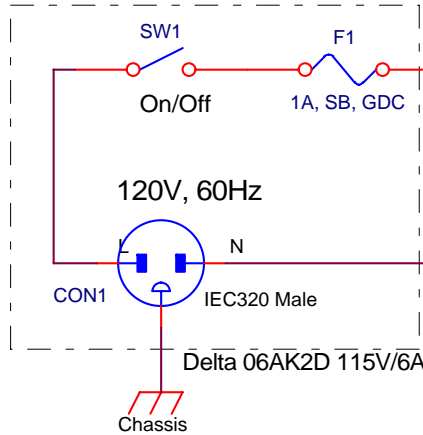
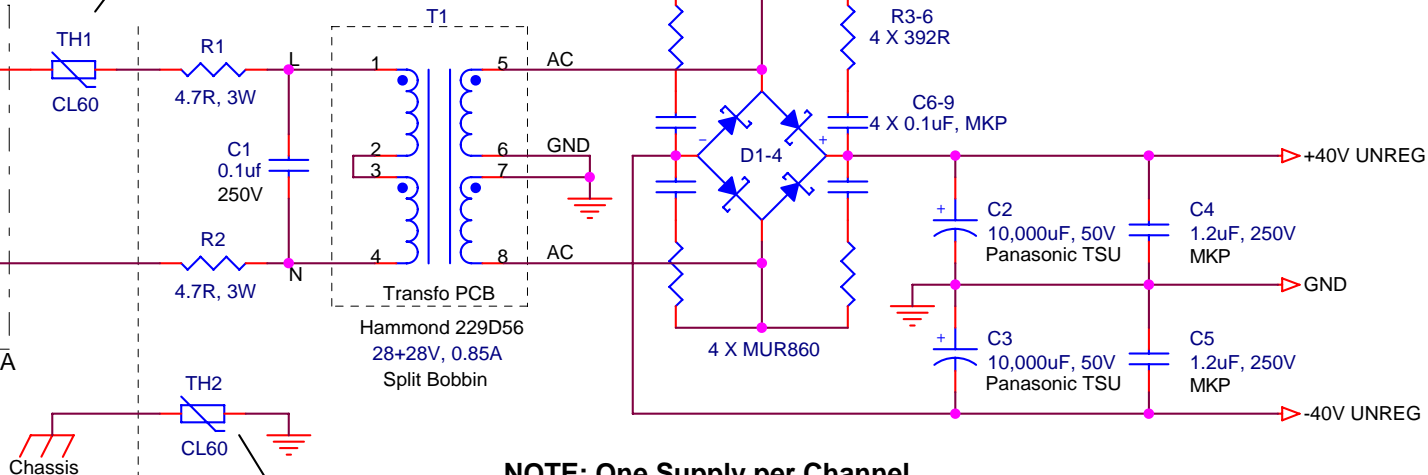


Power Entry Module with EMI Filter



**Mounted on Transfo PCB
TH1 common for both transfos**

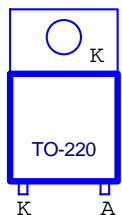
Mounted on Transfo PCB



NOTE: One Supply per Channel

TH2 common for both supplies

UnReg PCB



MUR860 - Front View

Changes List	
No	Description
1	D1-D4 MUR860 diodes
2	RC Snubbers
3	
4	

Pass Labs - Nelson Pass (1997)		
Title XOno, Phono Preamp Dual Mono		
Size A	Document Number +/- 40V Unregulated Power Supply	Rev 02
Date:	Thursday, September 21, 2006	Sheet 1 of 1