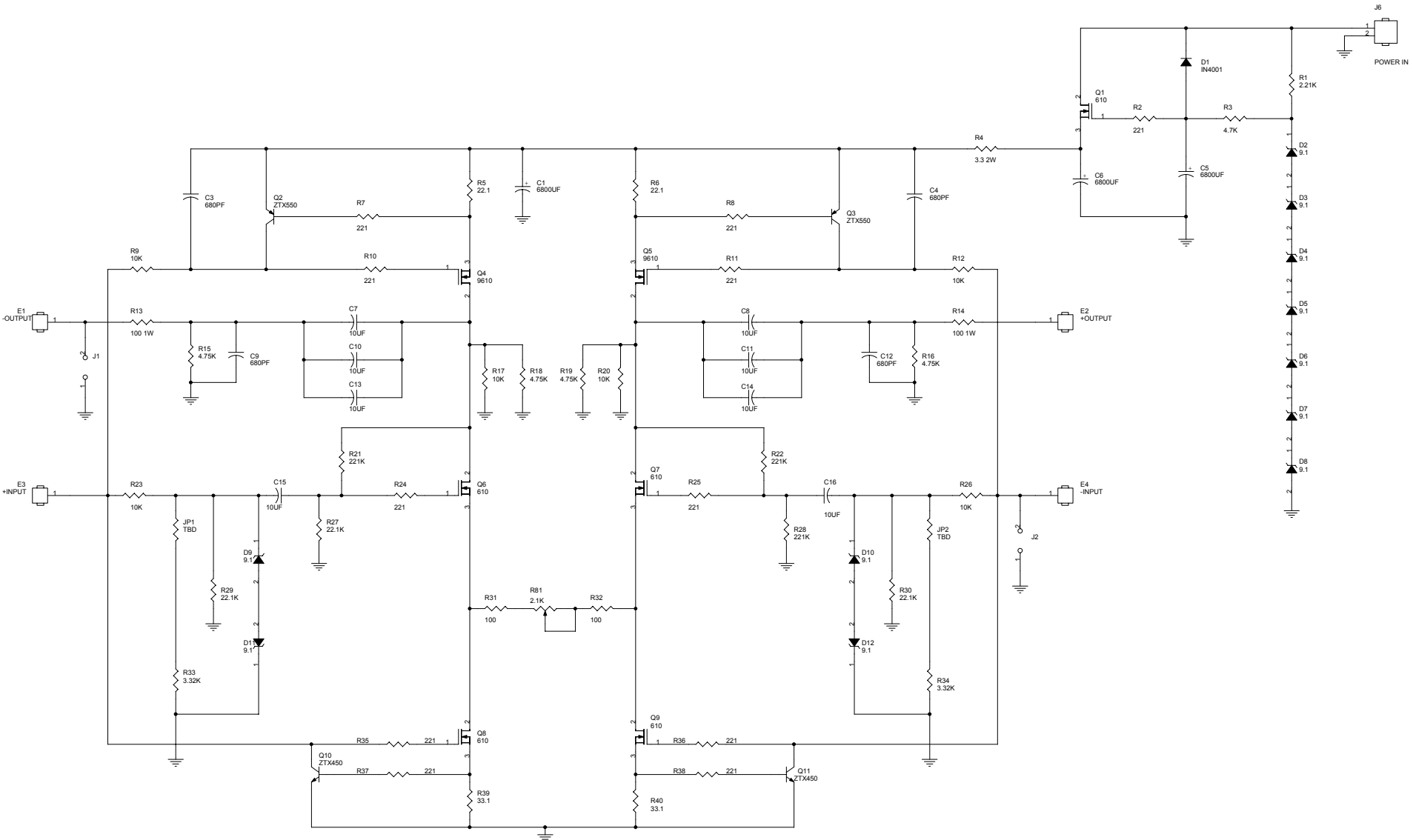
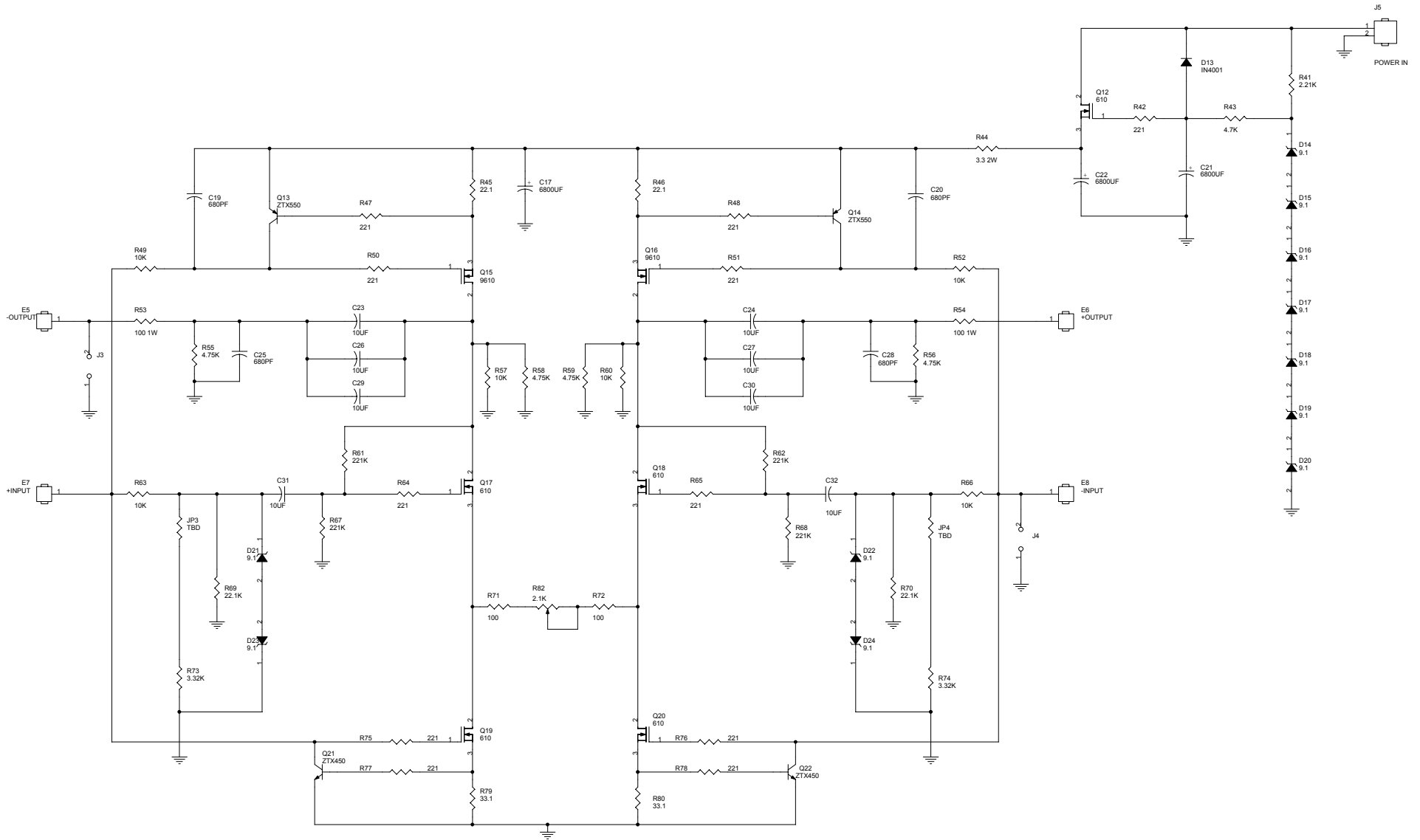


CHANNEL 1



Title		PRE-AMP
Size	Document Number	PL25MB17.S01
C	Rev	A
Date	Tuesday, December 28, 2004	
Sheet	1	of 2

CHANNEL 2



Title		PRE-AMP	
Size	Document Number	PL25PS17	
C		Rev A	
Date:	Tuesday, December 28, 2004	Sheet	2 of 2