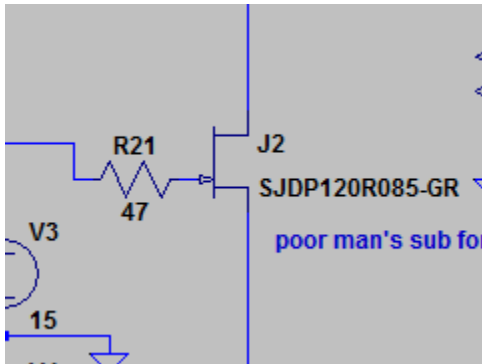
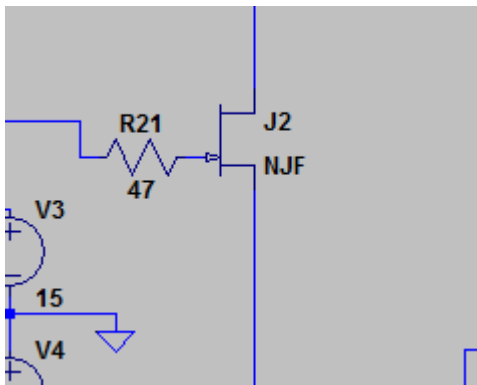
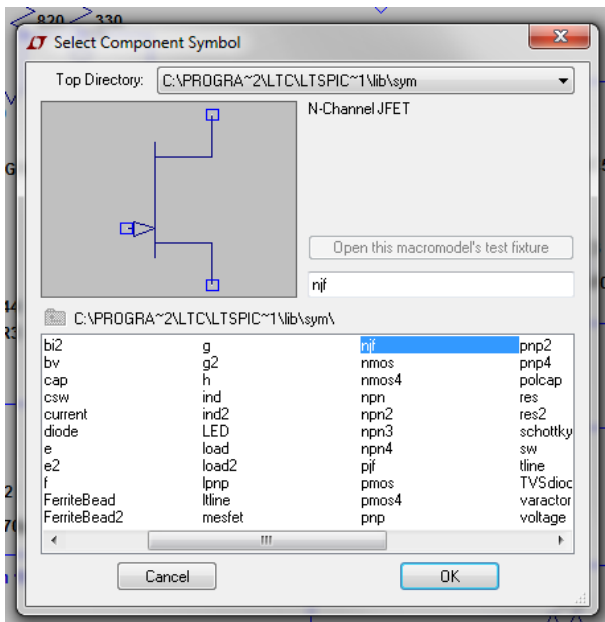


# Adding a Custom Sub-circuit Model in LTSpice

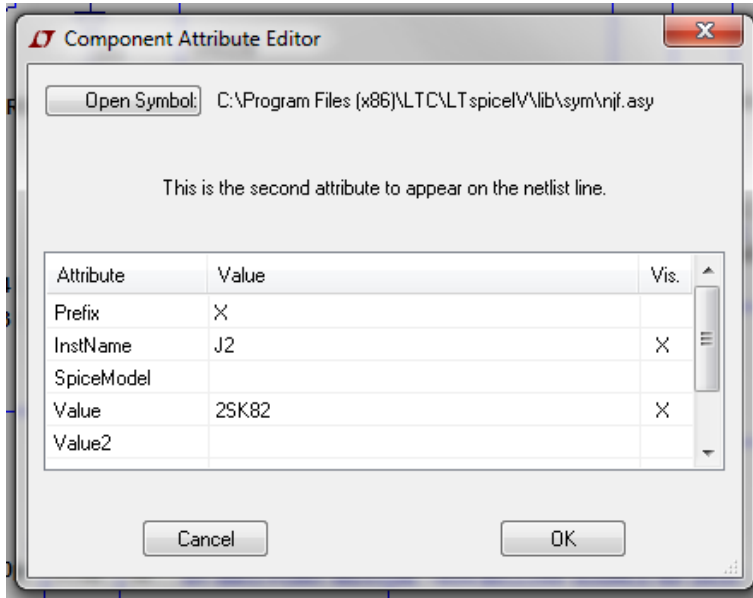
1. Remove the current component with delete scissors.



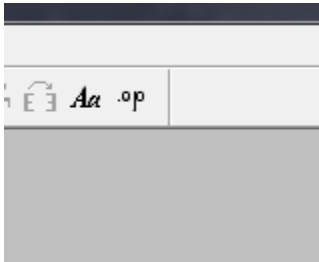
2. Place a new NJF symbol.



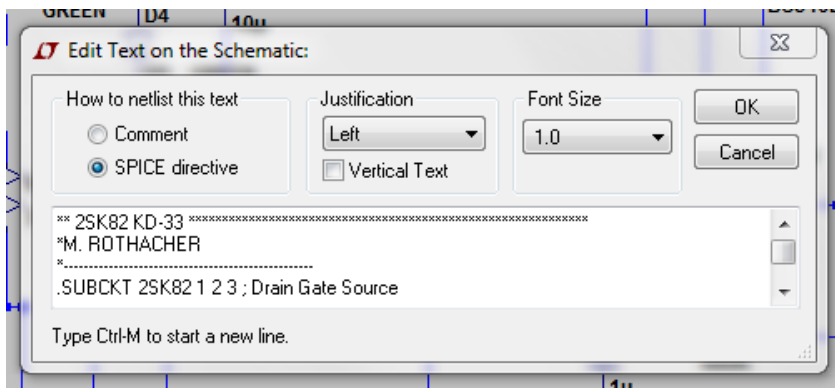
3. Press CTRL + RIGHT CLICK on the symbol to bring up the Attribute Editor.
4. Change the Prefix to X Change the Value to 2SK82 (or whatever name is used in your model)



5. Now, add a Spice Directive



6. Paste the model text into the window



7. Then, just place the text somewhere on the drawing.

8. Adding a sub-circuit model in this fashion makes your file more portable since you won't need to include any additional files.
9. Have fun, buddy!