

Title **XEN Speaker Protection Board - Top Sheet**

Size: A4

Number: 1

Revision: 1

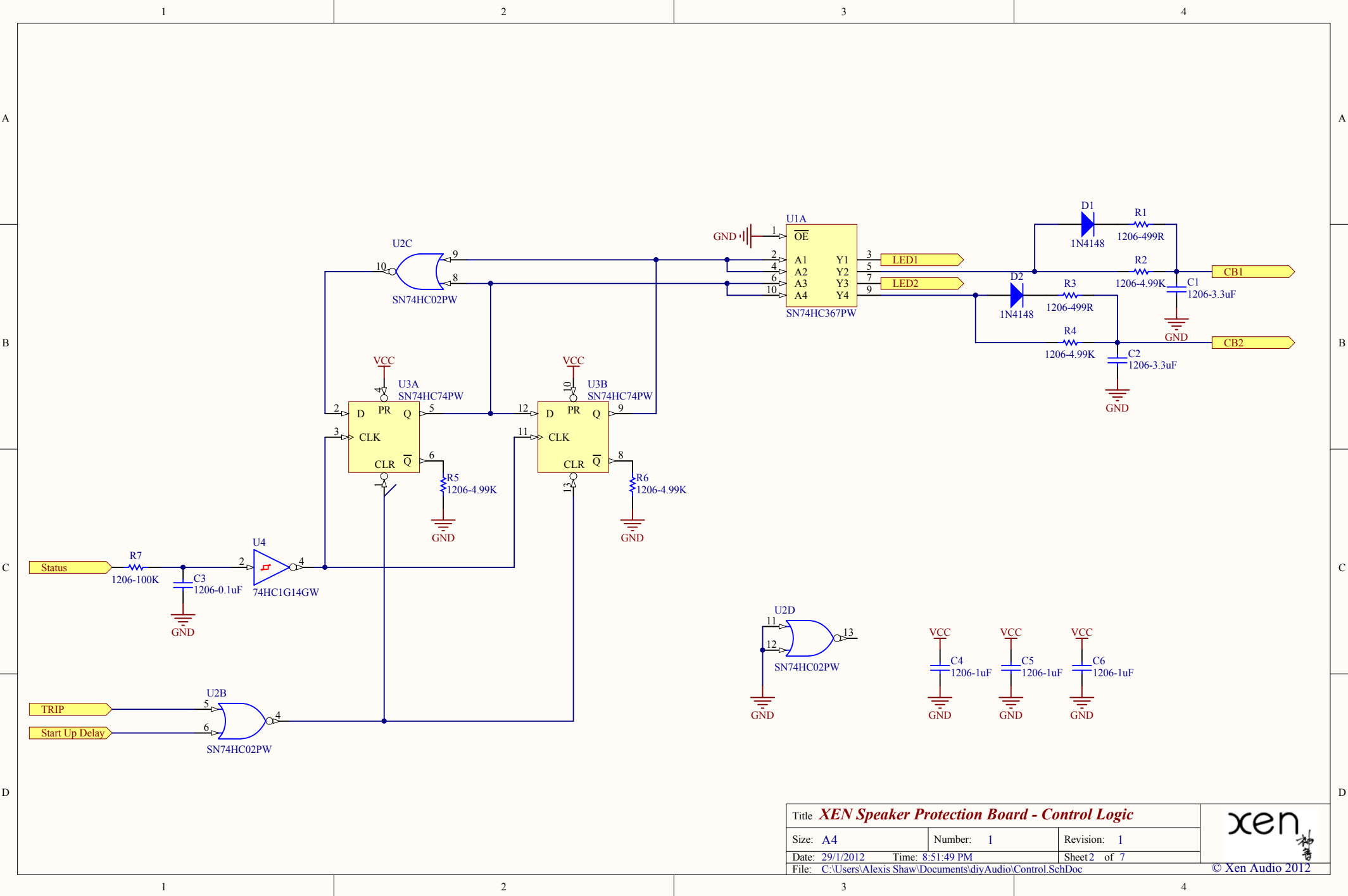
Date: 29/1/2012 Time: 8:51:48 PM

Sheet 1 of 7

File: C:\Users\Alexis Shaw\Documents\diyAudio\Top.SchDoc

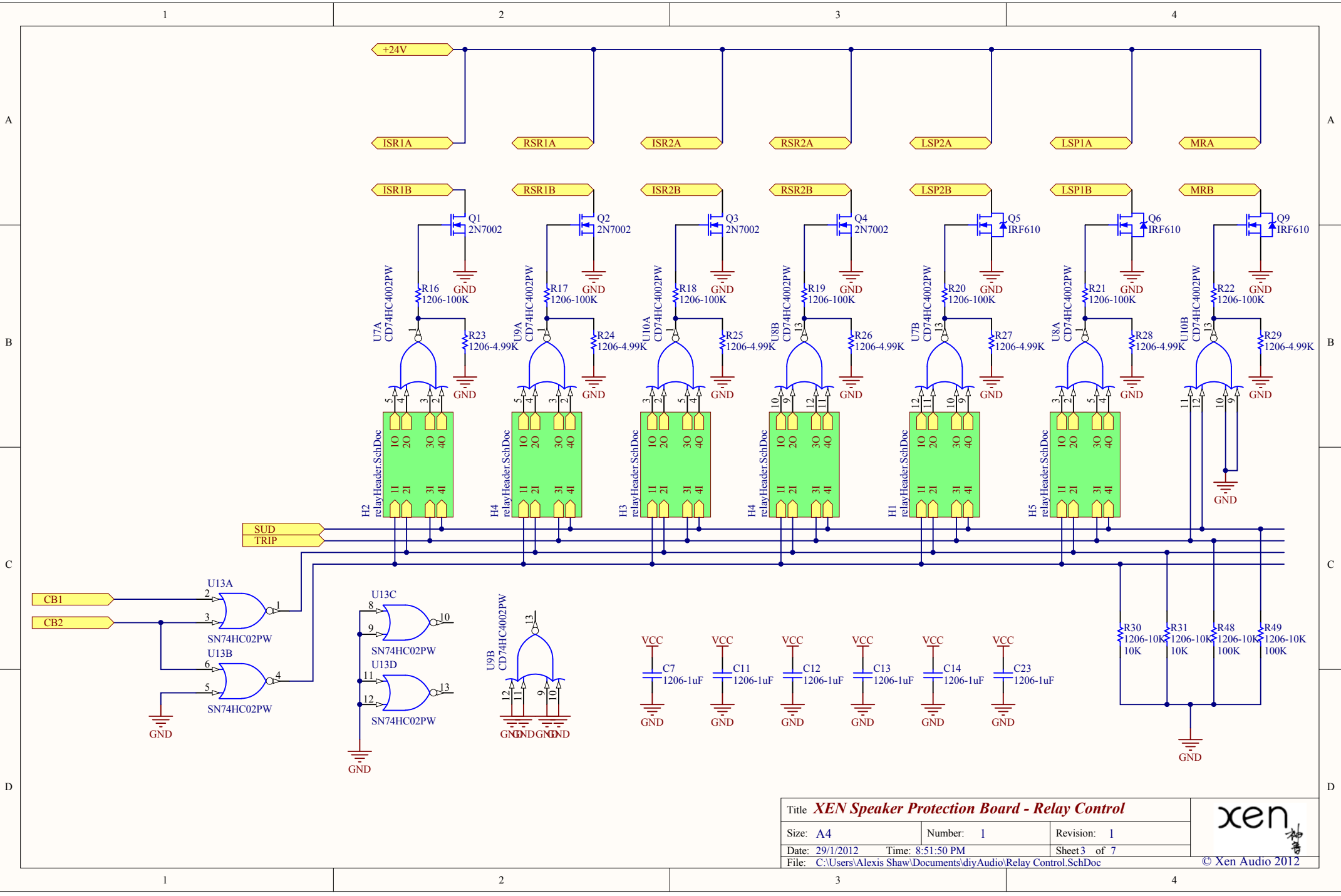


© Xen Audio 2012



Title <b>XEN Speaker Protection Board - Control Logic</b>		
Size: A4	Number: 1	Revision: 1
Date: 29/1/2012	Time: 8:51:49 PM	Sheet 2 of 7
File: C:\Users\Alexis Shaw\Documents\diyAudio\Control.SchDoc		

xen  
神音  
© Xen Audio 2012



Title **XEN Speaker Protection Board - Relay Control**

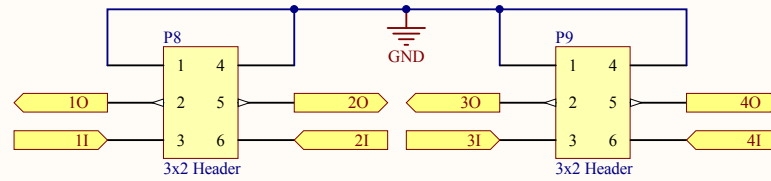
Size: **A4**      Number: **1**      Revision: **1**


Date: **29/1/2012**      Time: **8:51:50 PM**      Sheet **3** of **7**

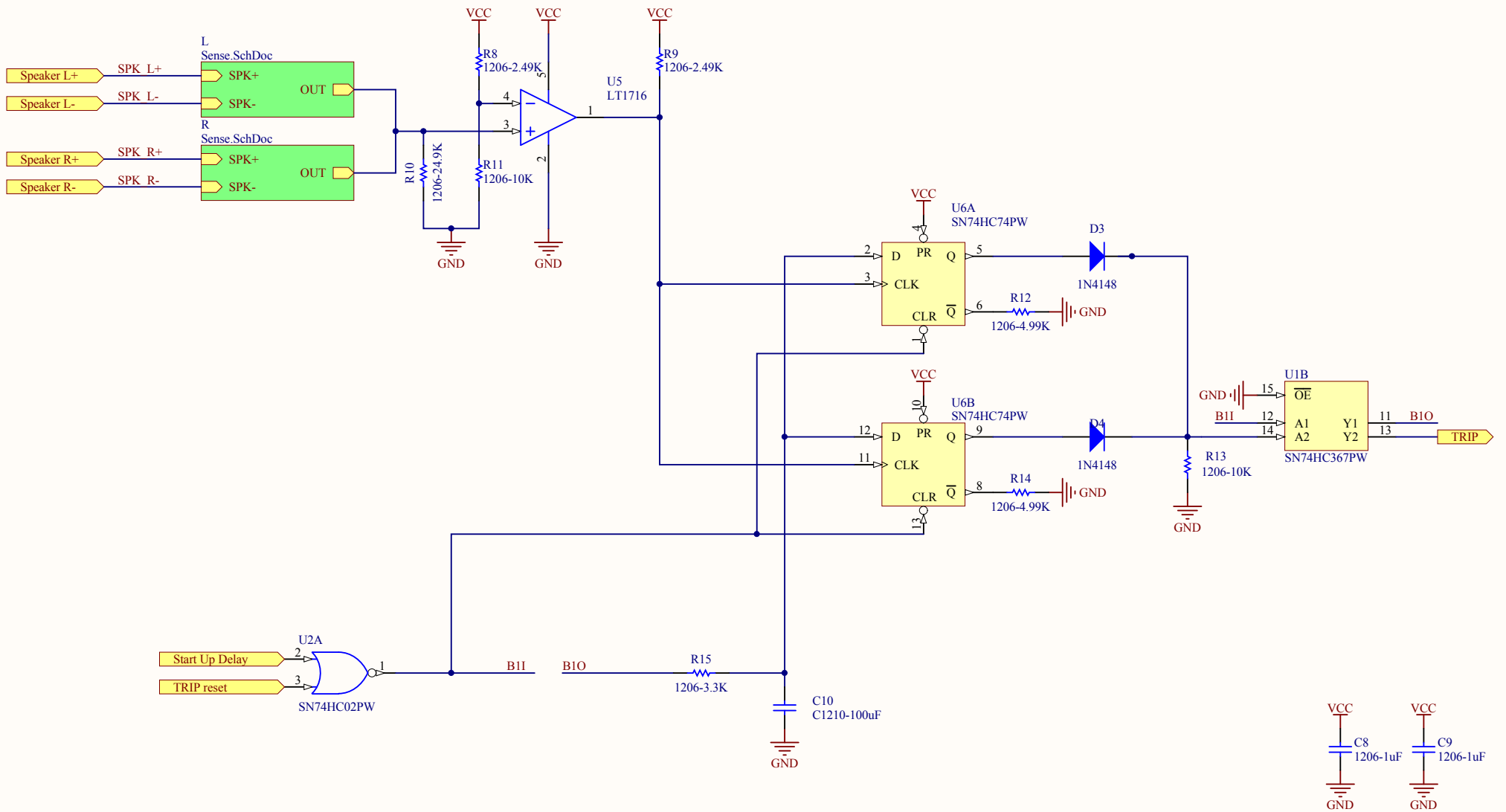
File: **C:\Users\Alexis Shaw\Documents\diy Audio\Relay Control.SchDoc**

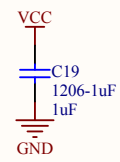
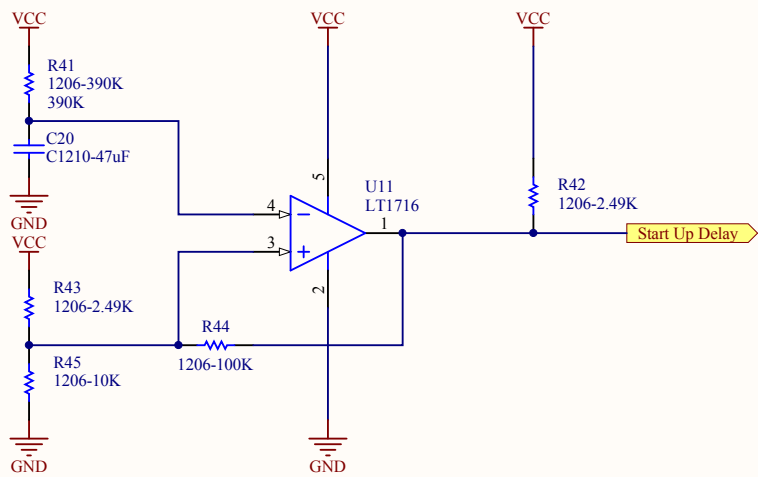


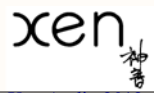
© Xen Audio 2012



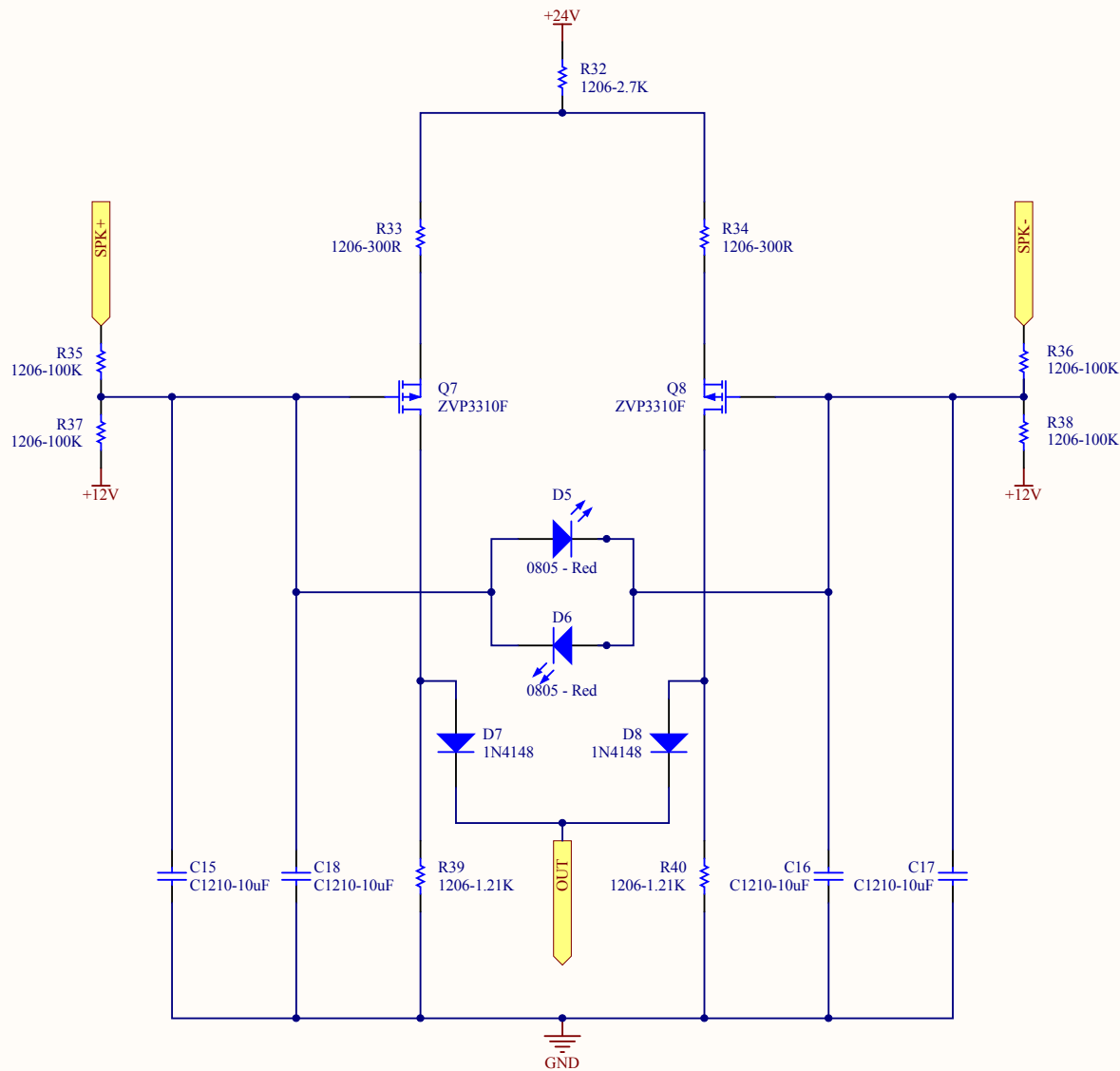
Title <b><i>XEN Speaker Protection Board - Relay Configuration</i></b>			
Size: A4	Number: 1	Revision: 1	
Date: 29/1/2012	Time: 8:51:51 PM	Sheet 4 of 7	
File: C:\Users\Alexis Shaw\Documents\diyAudio\relayHeader.SchDoc			
© Xen Audio 2012			





Title <b><i>XEN Speaker Protection Board - Start Up Delay</i></b>			
Size: A4	Number: 1	Revision: 1	
Date: 29/1/2012	Time: 8:51:51 PM	Sheet 6 of 7	
File: C:\Users\Alexis Shaw\Documents\diyAudio\Start Up delay.SchDoc			

© Xen Audio 2012



Title ***XEN Speaker Protection Board - DC Differential Amp***

Size: A4

Number: 1

Revision: 1

Date: 29/1/2012 Time: 8:51:51 PM

Sheet 7 of 7

File: C:\Users\Alexis Shaw\Documents\diyAudio\Sense.SchDoc



© Xen Audio 2012