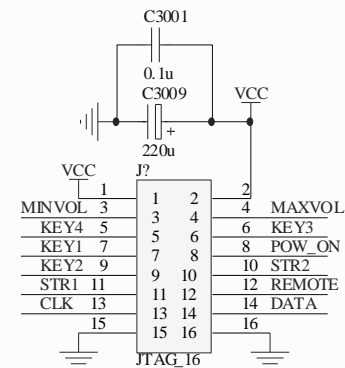
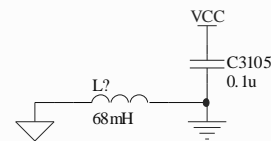
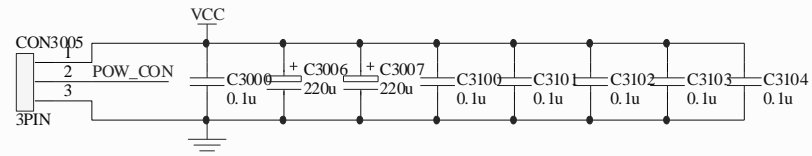


Title		
Size	Number	Revision
B		
Date:	2006-8-5	Sheet of
File:	D:\usb_backup_wol_control.Sch	Drawn By:

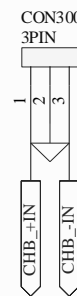
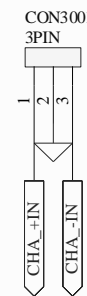
5V POWER



JTAG between 51 and display board

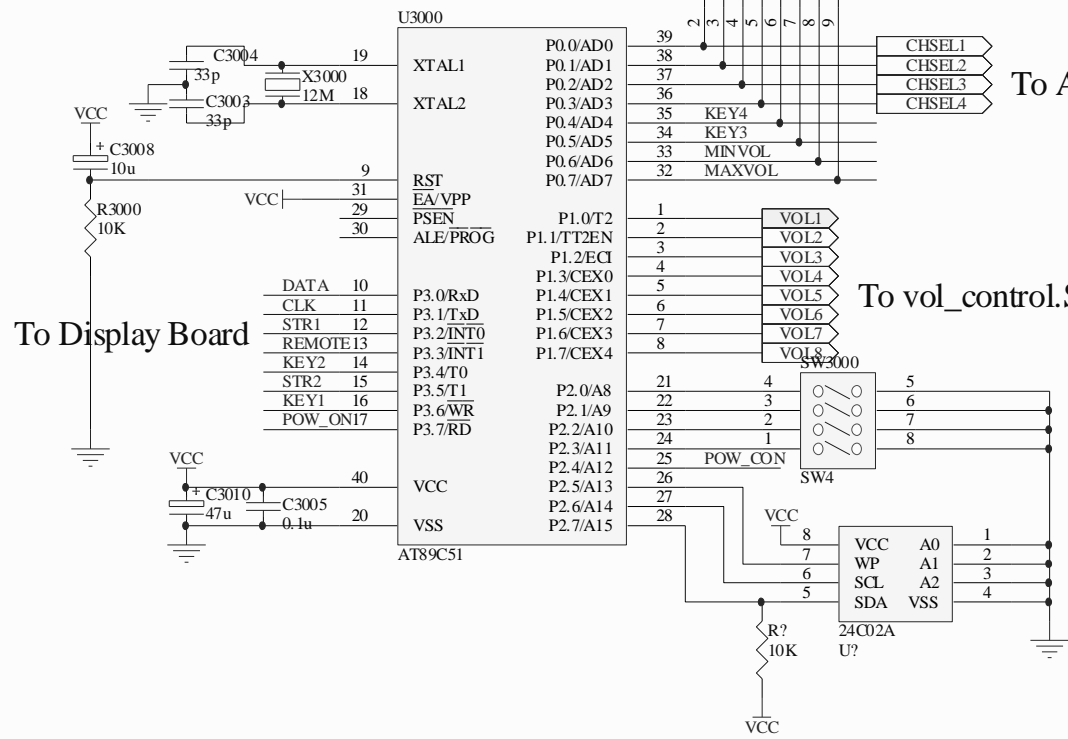
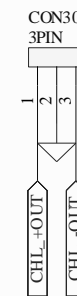
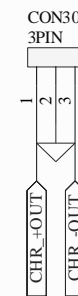
Audio OUT

From Audio_sel.Sch



Audio IN

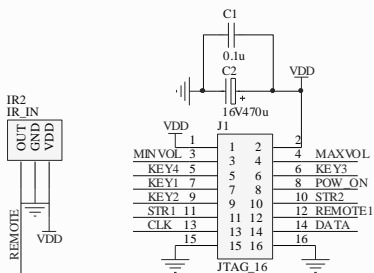
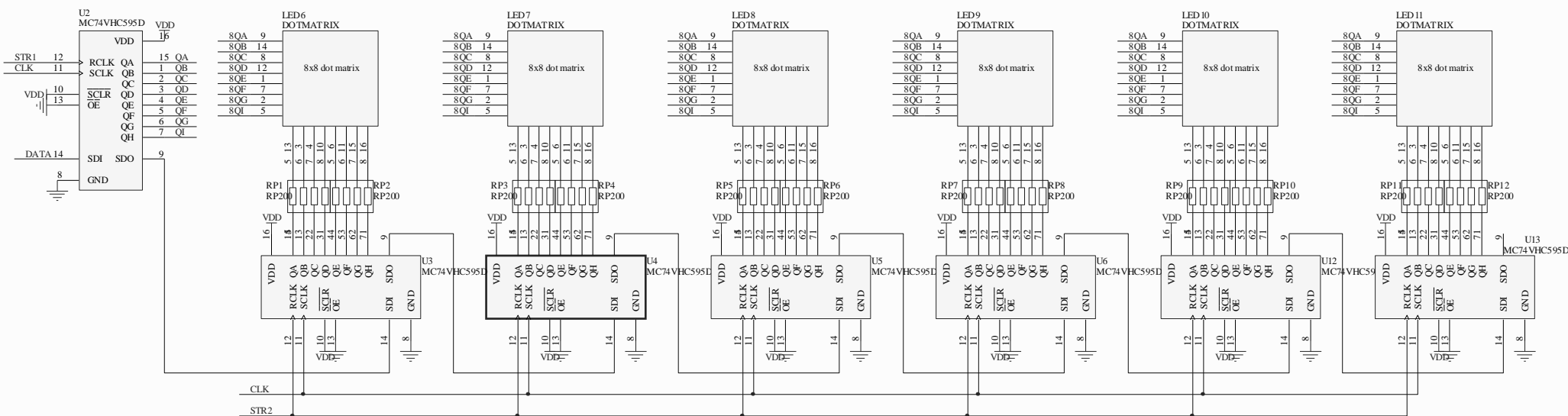
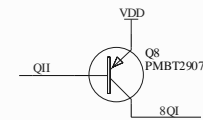
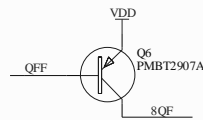
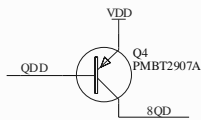
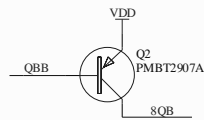
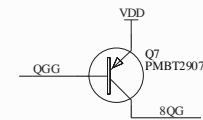
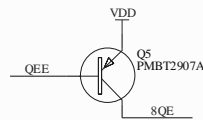
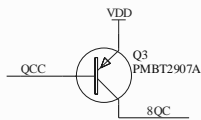
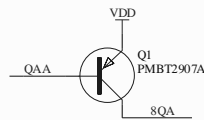
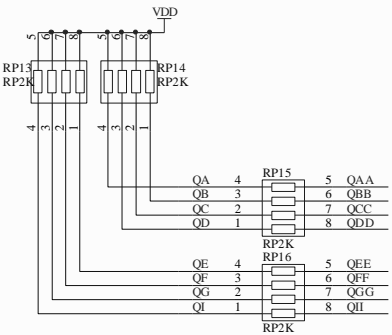
To vol_control.Sch



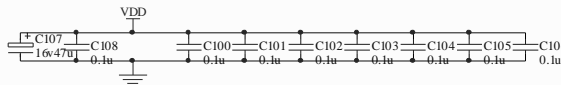
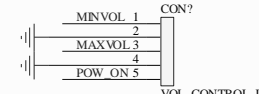
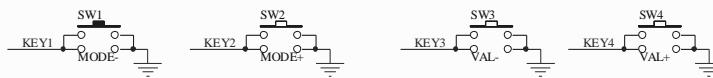
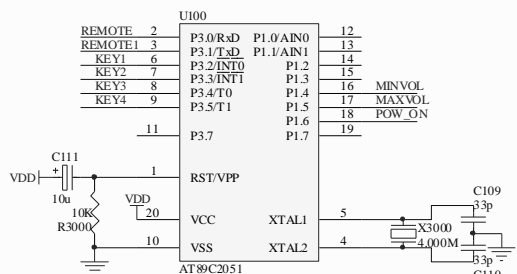
To Audio_sel.Sch

To vol_control.Sch

Title		
Size	Number	Revision
A4		
Date:	2006-8-5	Sheet of
File:	D:\usb_backup\...\CPU.Sch	Drawn By:



JTAG between 51 and display board



Title		
Size A3	Number	Revision
Date: 2006-8-12	Sheet of 1	Sheet of 1
File: D:\usb_backup_________.Sch	Drawn By:	