

Toroidal Power Transformer 500VA 115V/230V – 2x15V

Transformer Specifications :

Primary: 2 x 115 Volt 50...60 Hz
Secondary: 2 x 15V 16A nominal, bifilar wound
(see Circuit Diagram for precise application conditions)
No-load secondary voltage 16.5Vac max.

Shields:

1x electrostatic shield between primaries and secondaries, with earthing connections.
1x magnetic shield on the perimeter outside the secondary windings.

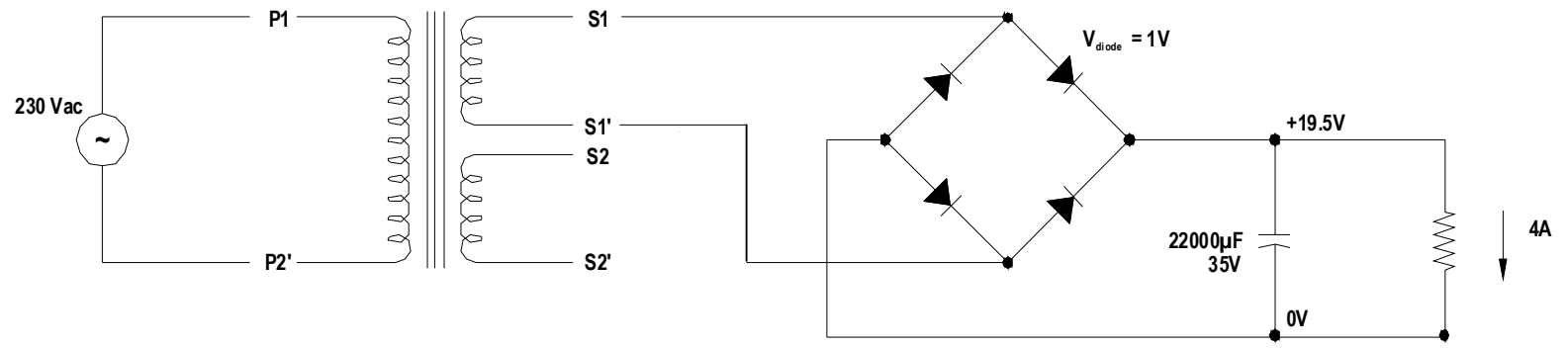
Isolation : Temperature Class B, 130°C per IEC 085,
Ta 60°C VDE 0570 EN/IEC 61558 IP 00

Test voltage: Primary - Secondary: 5000 Volt,
Secondary – Secondary :500 Volt

Dimensions : < 150 mm diameter, < 75 mm height

Electrical connections: free-length enamel wire 200 mm long

Fixation : open core not potted, centre bolt, disc & rubber gasket



Circuit Diagram for Actual Application

Connection for S2 identical to S1, shown only for S1.
 Primaries shown here connected in series for 230Vac.