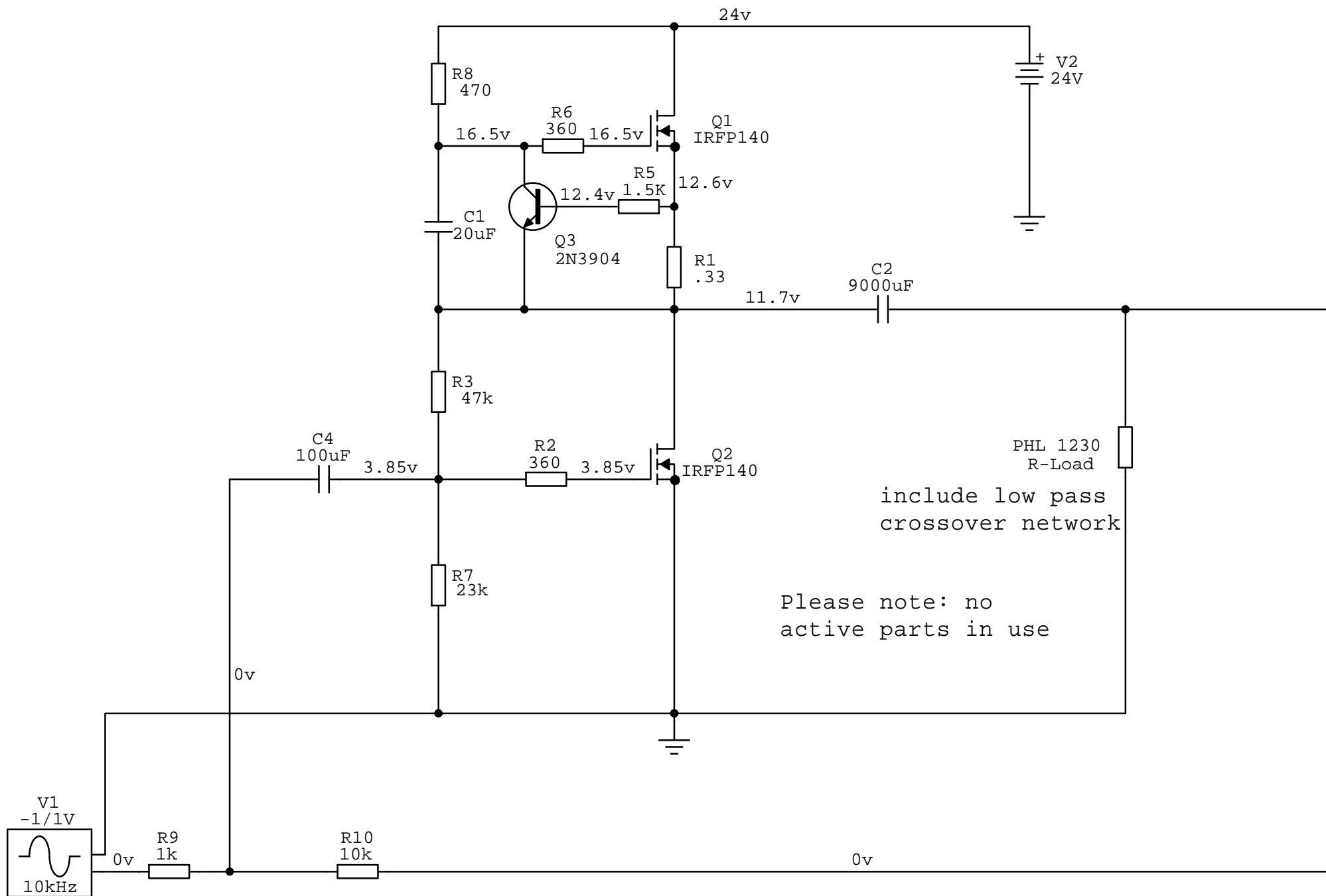
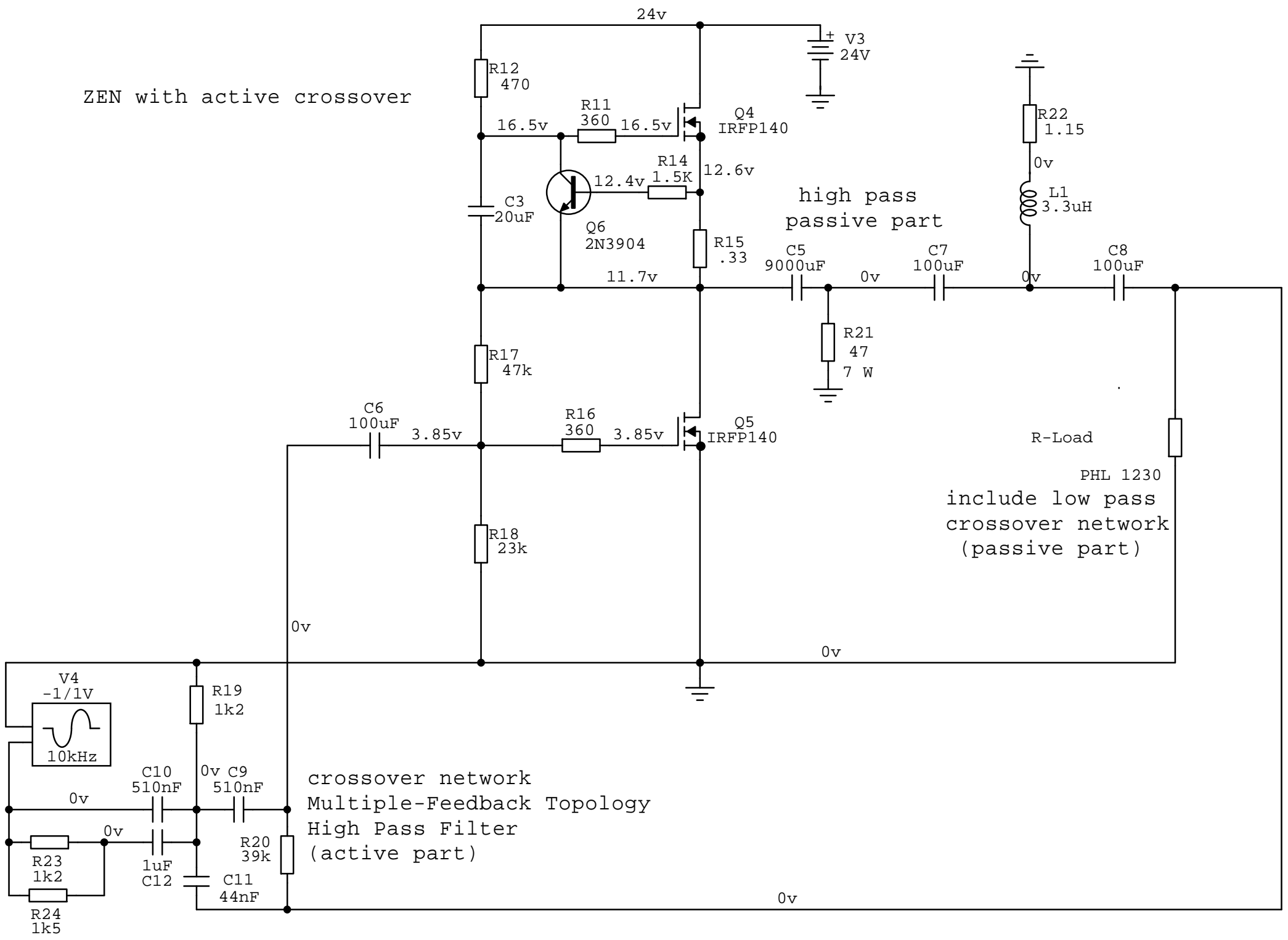


# ZEN without active crossover



ZEN with active crossover



crossover network  
Multiple-Feedback Topology  
High Pass Filter  
(active part)

high pass  
passive part

R-Load  
PHL 1230  
include low pass  
crossover network  
(passive part)