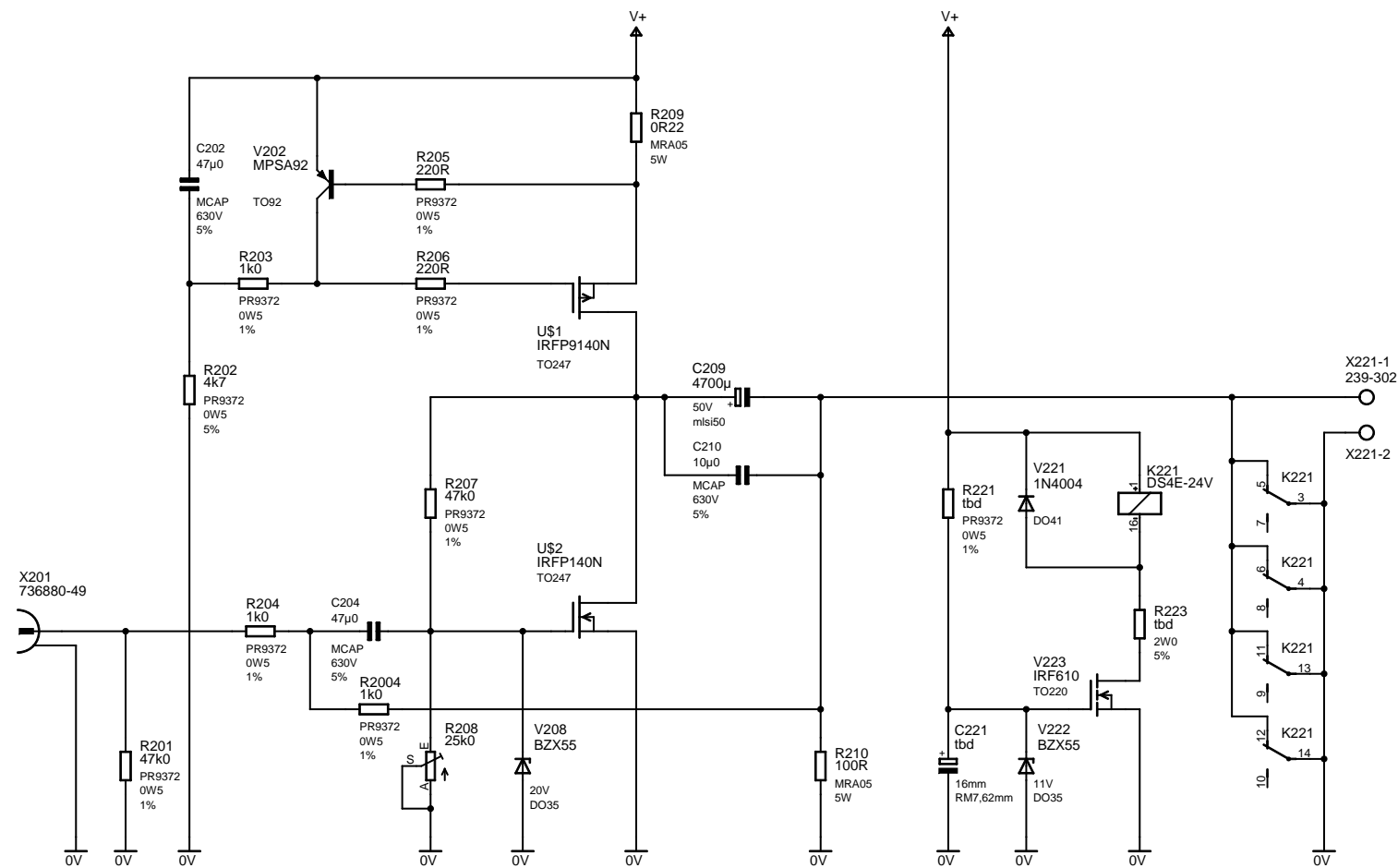


V+ = +40VDC

THE INFORMATION CONTAINED IN THIS DRAWING IS THE SOLE PROPERTY OF H.D.M. SCHWEITZER. ANY REPRODUCTION IN PART OR WHOLE IS STRICTLY PROHIBITED WITHOUT WRITTEN PERMISSION.

PROPRIETARY

REV	DATE	CHANGE HISTORY	ISSUE	Hardware Design Manuela Schweitzer	STUTENSEE, BW GERMANY	THIS DRAWING CONTAINS PROPRIETARY INFORMATION AND SHOULD NOT BE USED WITHOUT WRITTEN PERMISSION.	© 2009	REV
			DRAWN	M. schweitzer				001
			CHECKED	JP. Schweitzer				
			DATE	30.04.2009 21:10:46				DRG N°
001	30.04.2009	Development	DATE	30.04.2009	FILE: SOZ-Amplifier			PAGE: 1/2



THE INFORMATION CONTAINED IN THIS DRAWING IS THE SOLE PROPERTY OF H.D.M. SCHWEITZER. ANY REPRODUCTION IN PART OR WHOLE IS STRICTLY PROHIBITED WITHOUT WRITTEN PERMISSION.

PROPRIETARY

REV	DATE	CHANGE HISTORY	ISSUE	Hardware Design Manuela Schweitzer	STUTENSEE, BW GERMANY	THIS DRAWING CONTAINS PROPRIETARY INFORMATION AND SHOULD NOT BE USED WITHOUT WRITTEN PERMISSION.	© 2009	REV
001	30.04.2009	Development	DRAWN	M. Schweitzer				001
			CHECKED	JP. Schweitzer				
			DATE	30.04.2009 21:10:46				DRG N ^o
			DATE	30.04.2009				FILE: SOZ-Amplifier
								PAGE: 2/2