

A

B

C

D

A

B

C

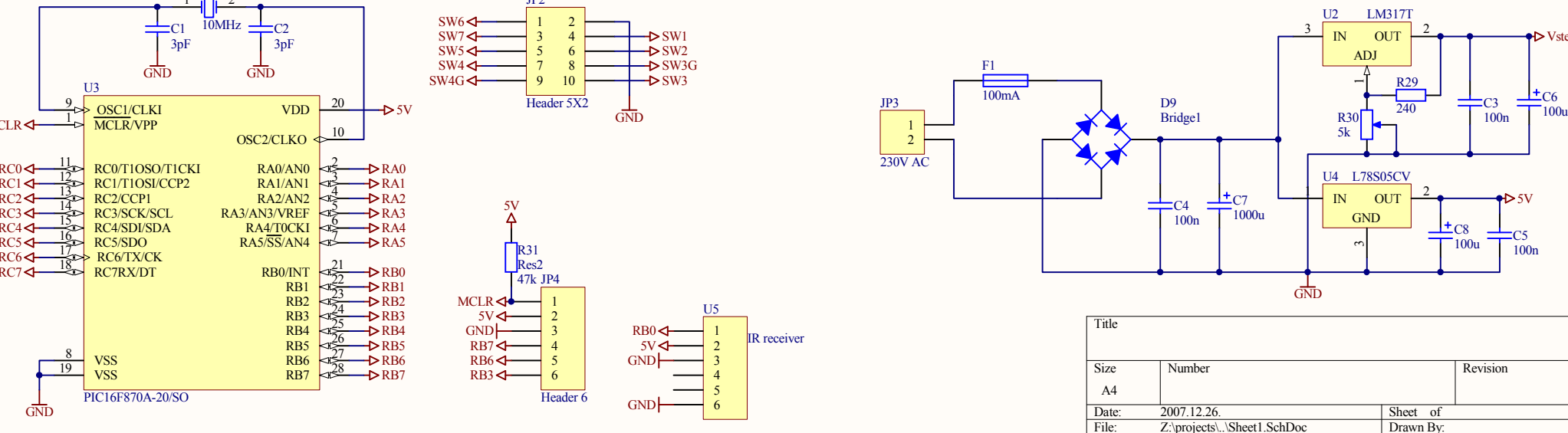
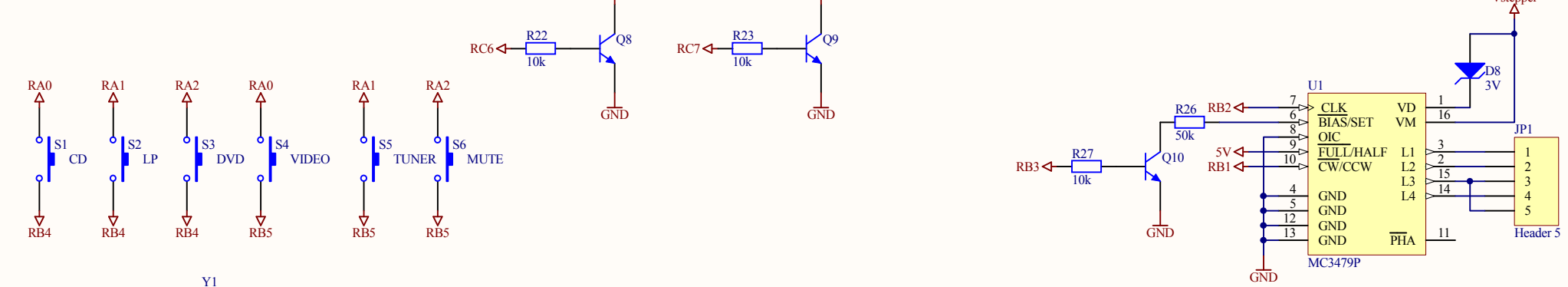
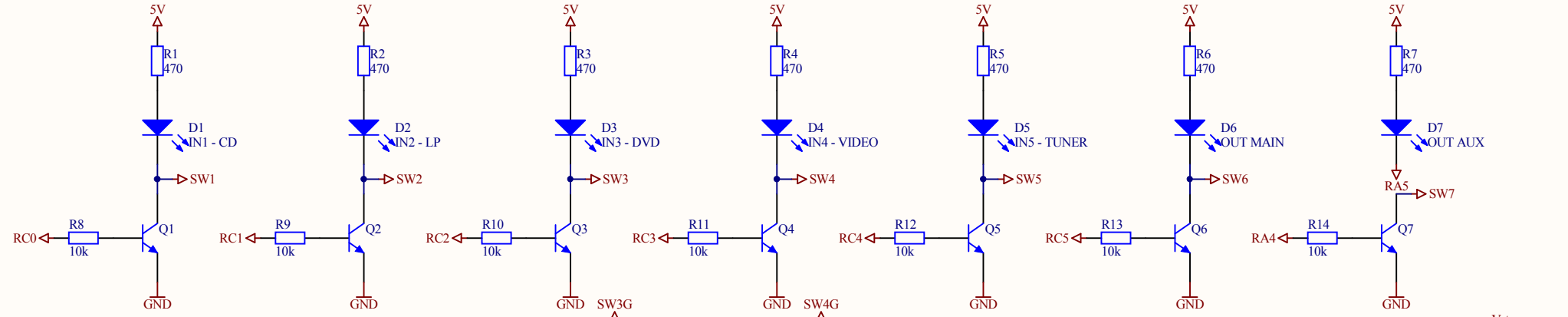
D

1

2

3

4



Title		
Size	Number	Revision
A4		
Date:	2007.12.26.	Sheet of
File:	Z:\projects\...\Sheet1.SchDoc	Drawn By:

1

2

3

4