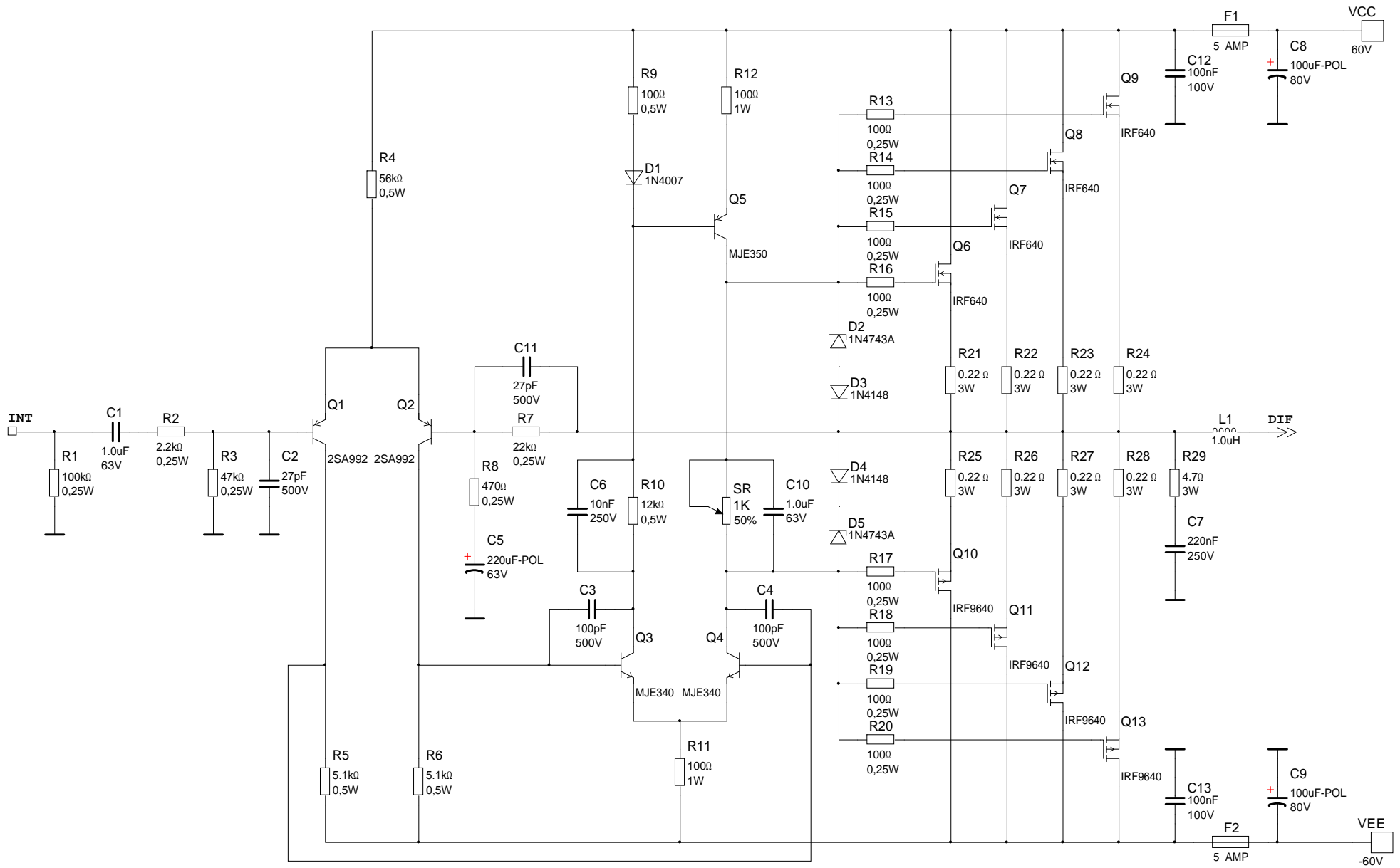


300W Hi-Fi AUDIO AMPLIFIER



OBS.

Q5...Q13 connect to heat sink
 Echivalent parts for Q1 and Q2 is 2SA872