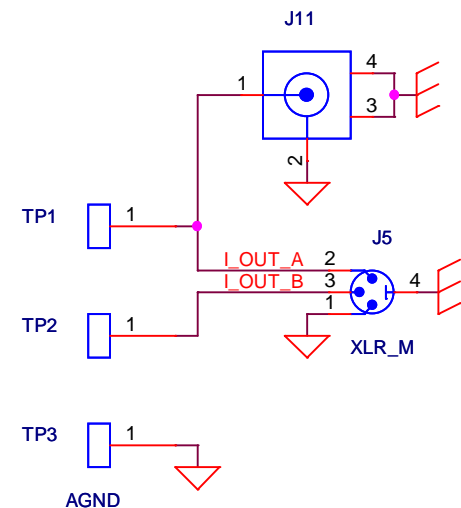
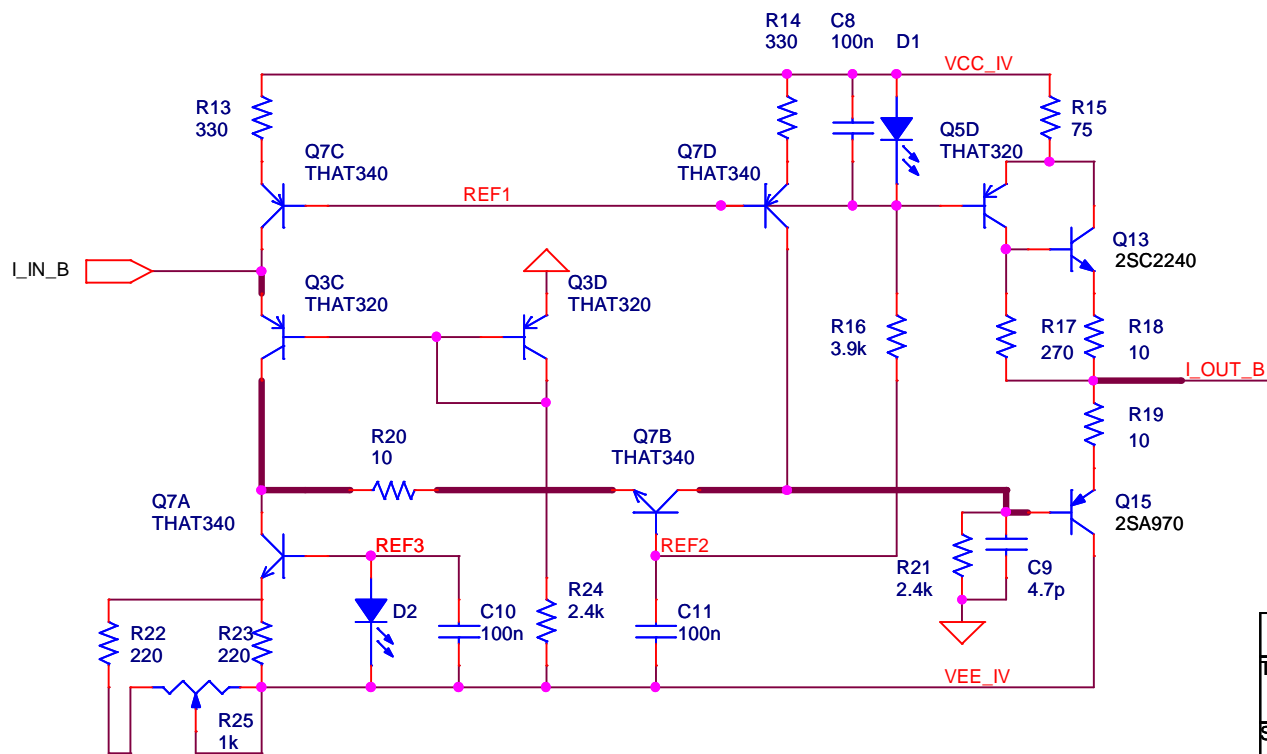
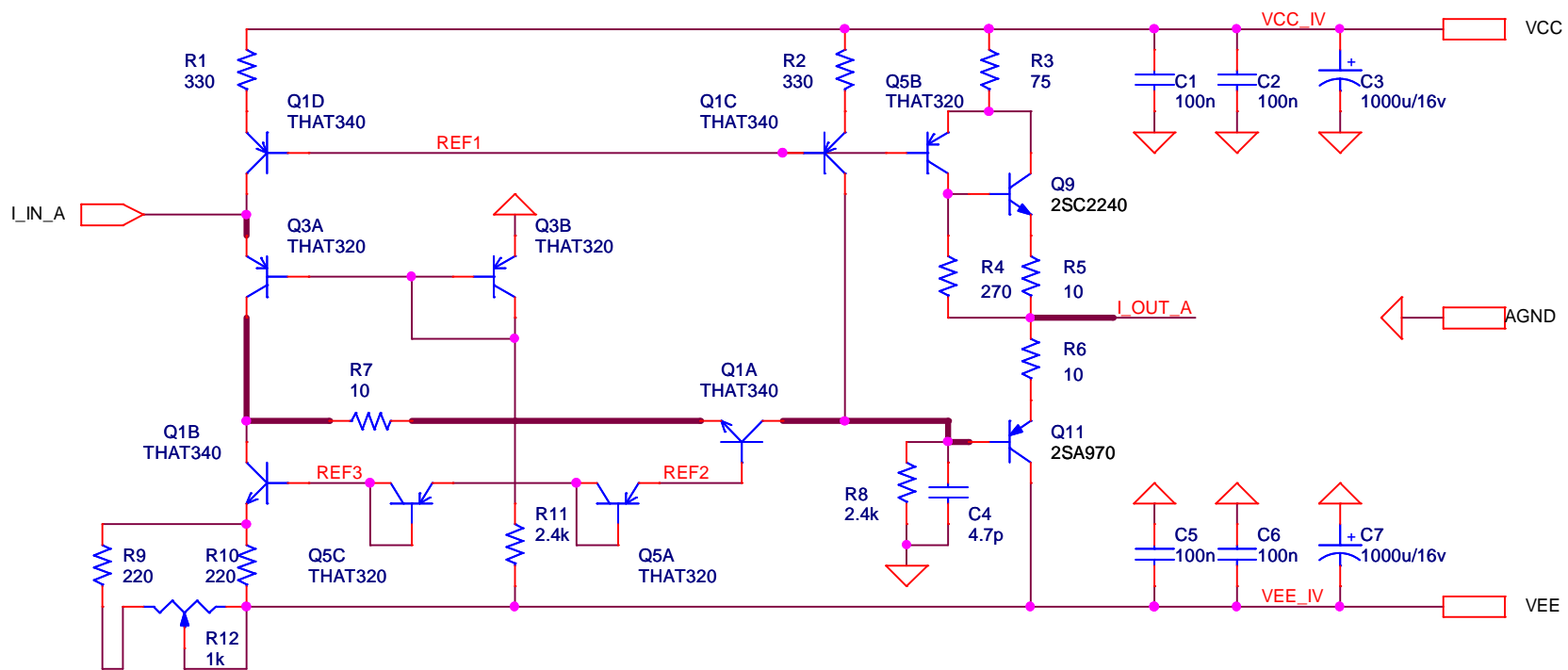
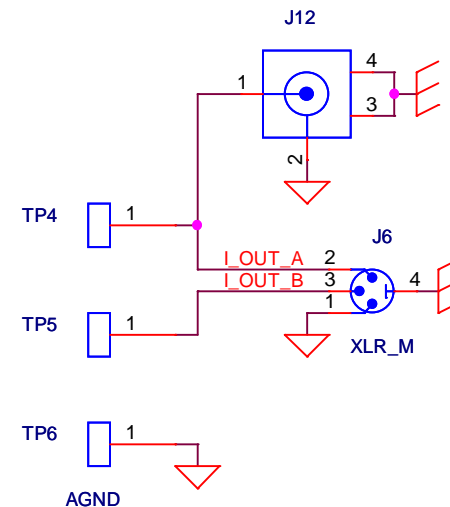
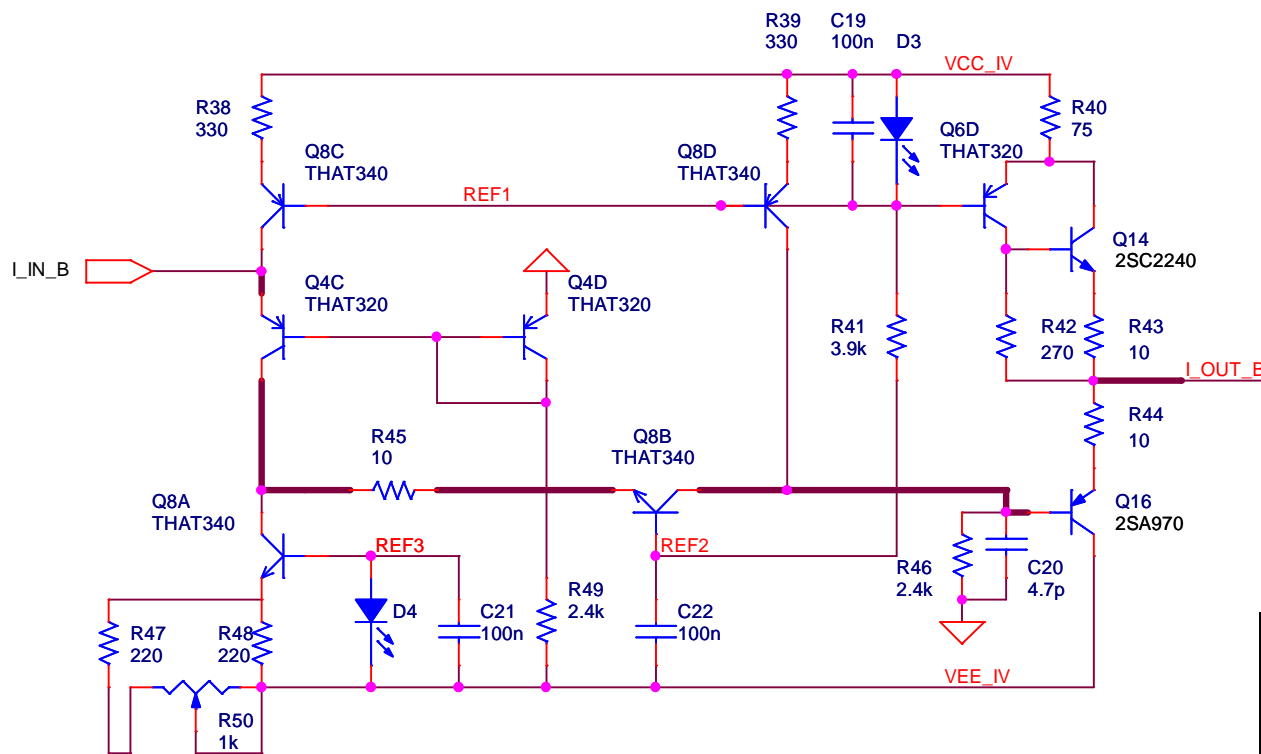
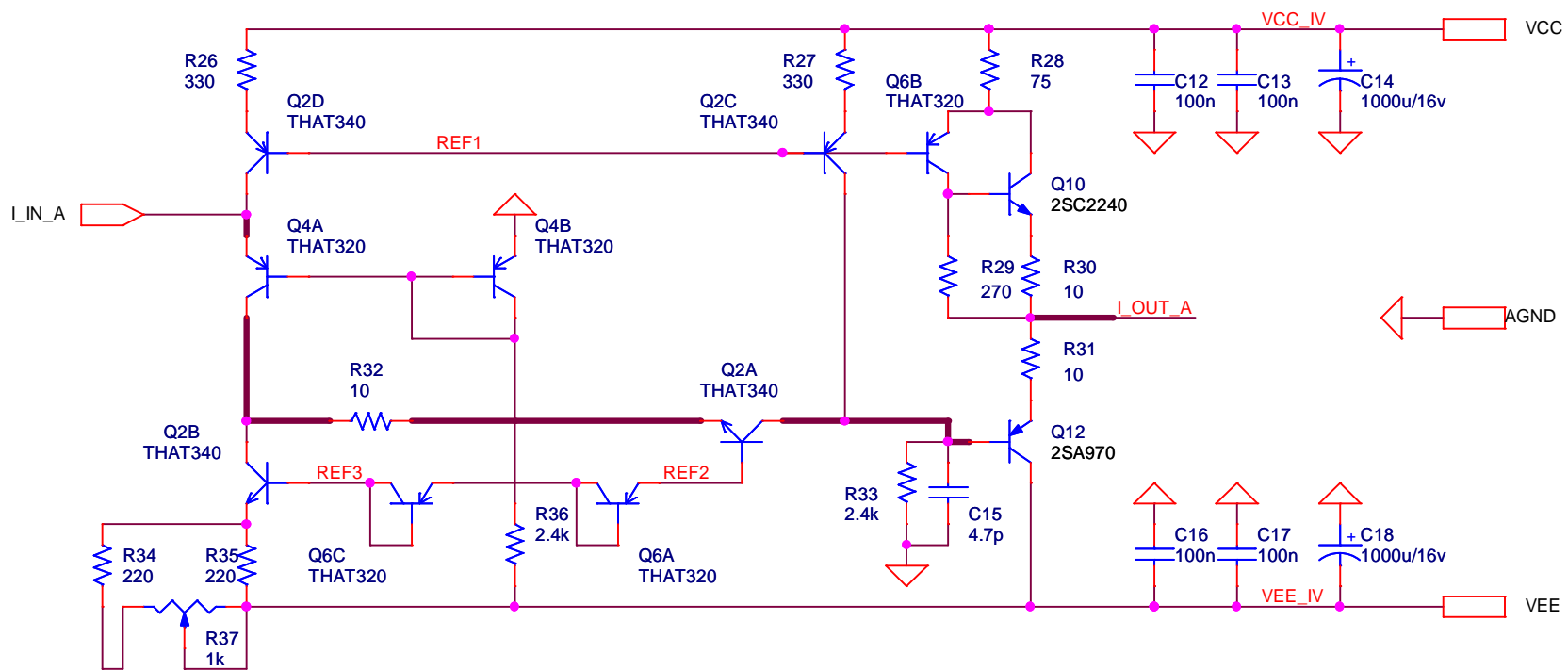


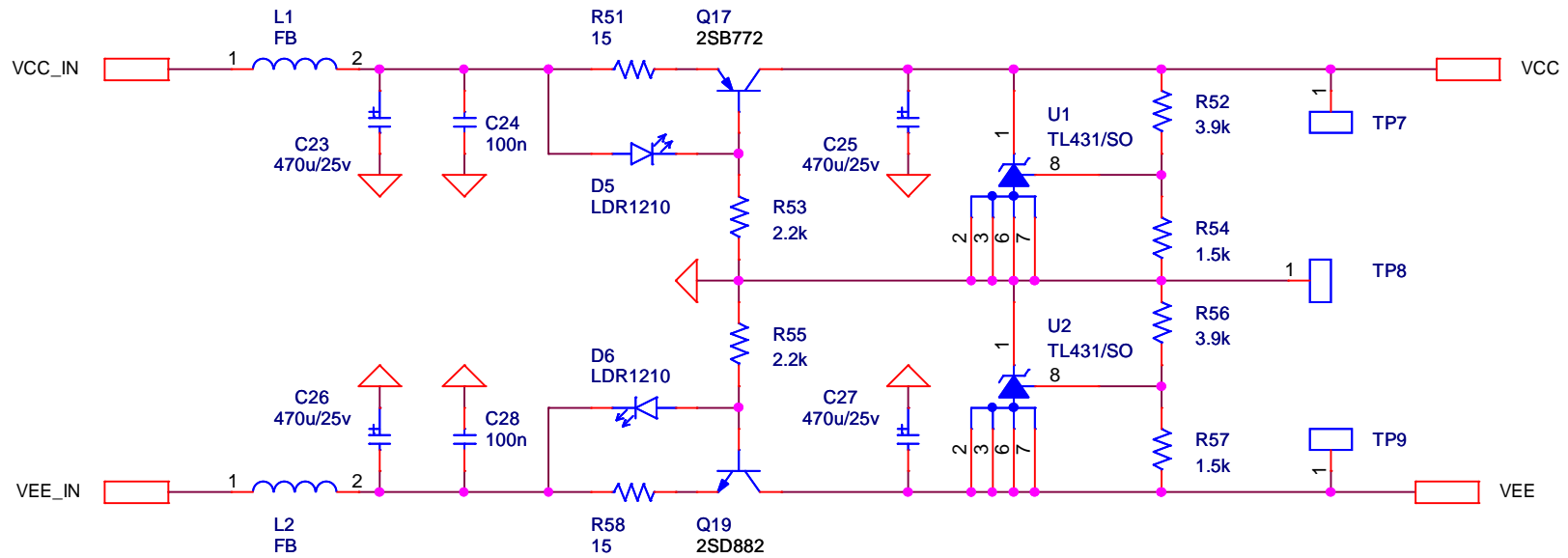
Title		
RD30 - IV Board - Modules		
Size	Document Number	Rev
A	ADL P011-B02-RA	A
Date:	Thursday, February 02, 2012	Sheet 1 of 5



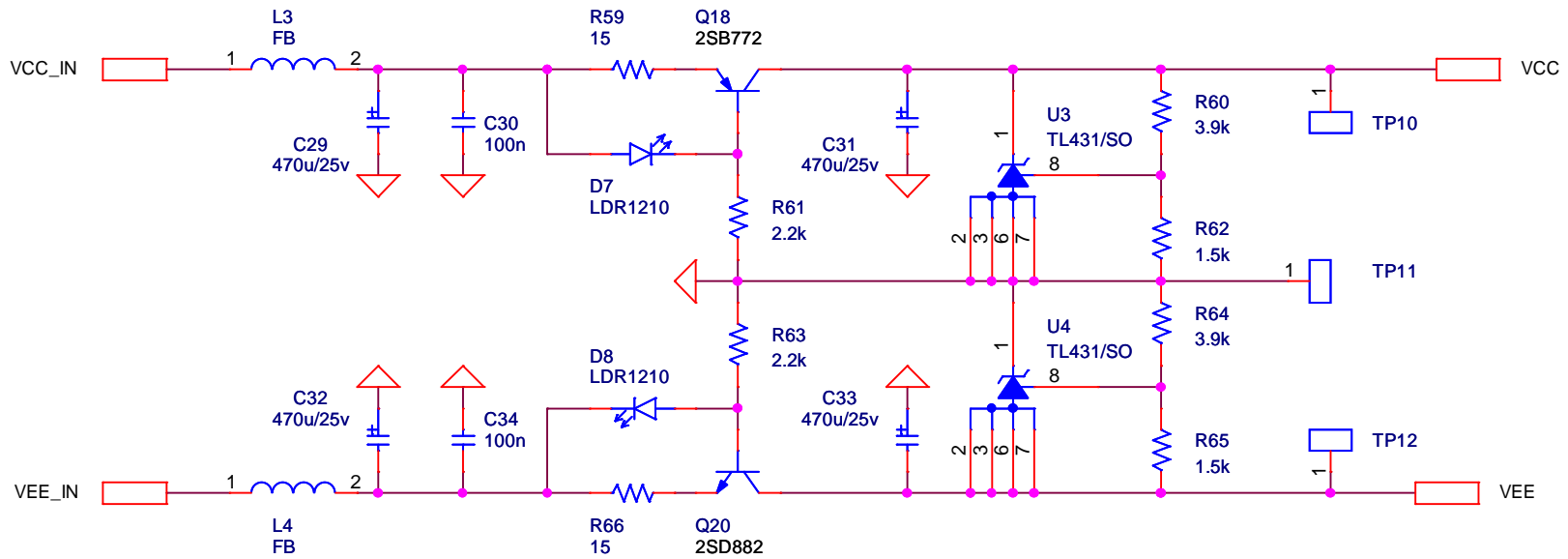
Title		
RD30 - IV Board - IV		
Size	Document Number	Rev
A	ADL P011-B02-RA	A
Date:	Tuesday, March 13, 2012	Sheet 2 of 5



Title		
RD30 - IV Board - IV		
Size	Document Number	Rev
A	ADL P011-B02-RA	A
Date:	Tuesday, March 13, 2012	Sheet 3 of 5



Title		
RD30 - IV Board - TL		
Size	Document Number	Rev
A	ADL P011-B02-RA	A
Date:	Tuesday, November 01, 2011	Sheet 4 of 5



Title		
RD30 - IV Board - TL		
Size	Document Number	Rev
A	ADL P011-B02-RA	A
Date:	Tuesday, November 01, 2011	Sheet 5 of 5