

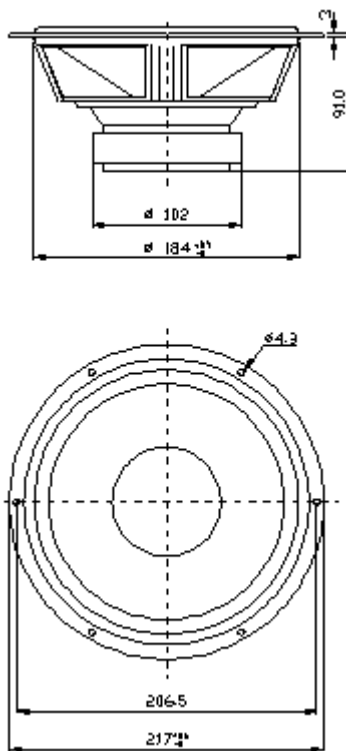
[print](#) [close](#)

Peerless Data Sheet

CSX 217 H

217 WR 33 102 SD 4L AL 8 ohm - Order ID: 850136

High-end woofer with a large four layer voice coil and heavy magnet. Well suited for reflex constructions where the driver due to a low resonance frequency will produce a deep and dry bass. Excellent midrange response makes this unit very easy to filter. In fact, the driver can be used in a 2-way system (with a cross-over frequency at 3 KHz).



CSX 217 H**Thiele Small parameters:**

Nominal impedance	Zn	(ohm)
Minimum impedance/at freq.	Zmin	(ohm/Hz)
Maximum impedance	Zo	(ohm)
DC resistance	Re	(ohm)
Voice coil inductance	Le	(mH)
Capacitor in series with 8 ohm (for impedance compensation)	Cc	(μF)
Resonance Frequency	fs	(Hz)
Mechanical Q factor	Qms	
Electrical Q factor	Qes	
Total Q factor	Qts	
F (Ratio fs/Qts)	F	(Hz)
Mechanical resistance	Rms	(Kg/s)
Moving mass	Mms	(g)
Suspension compliance	Cms	(mm/N)
Effective cone diameter	D	(cm)
Effective piston area	Sd	(cm ²)
Equivalent volume	VAS	(ltrs)
Force factor	Bl	(N/A)
Reference voltage sensitivity Re 2.83V 1m at 188 Hz (Measured)		(dB)

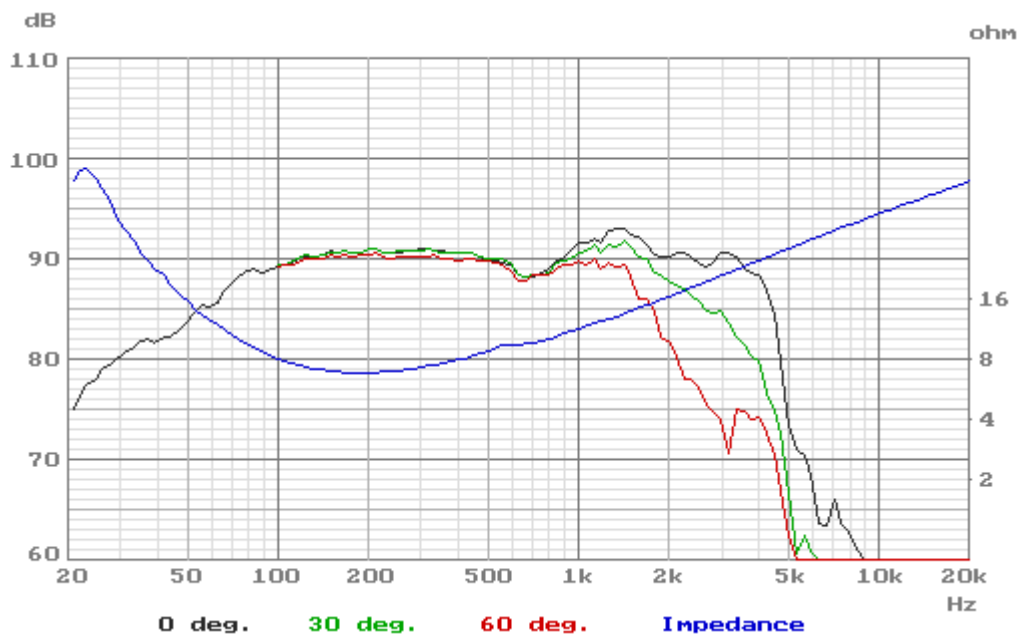
Free air	Common	Baffled
	8	
	6.6/188	
	76.5	
	5.9	
	2.6	
	21	
28.2		27.4
3.50		3.61
0.29		0.30
0.27		0.28
		99
30.5	1.54	32.4
	1.04	
	17.3	
	235	
	79.7	
	10.4	
		89.5

Magnet and voice coil parameters:

Voice coil diameter	d	(mm)	33
Voice coil length	h	(mm)	14
Voice coil layers	n		4
Flux density in gap	B	(T)	0.95
Total useful flux		(mWb)	0.90
Height of the gap	hg	(mm)	6
Diameter of magnet	dm	(mm)	102
Height of magnet	hm	(mm)	20
Weight of magnet		(kg)	0.68

Power handling:

Long term Max System Power (IEC)		(W)	150
----------------------------------	--	-----	-----



Measuring methods and conditions are stated in Peerless Standard for Acoustic Measurements (PSAM)