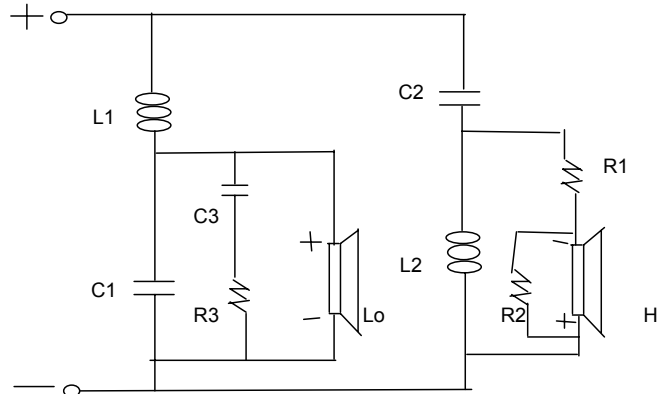


Low pass filter	L1	mH	0.442
	C1	uF	14.616
Hi-pass filter	L2	mH	0.185
	C2	uF	8.738

Crossover	Hz	2800
Bass Z	Ohm	5.5
Tweeter Z	Ohm	4.6
Bass cutoff	Hz	2800
Tweeter cutoff	Hz	2800



L Pad Attenuator		
R1	Ohm	2.29
R2	Ohm	4.62

Hi VIFA D27TG05-06
Lo VIFA TC18WG49-08

Zobel Network		
C3	F	2.26875E-05 L_e/R^2
R3	Ohm	5.5 Woofer impedance
C3	uF	22.68

W	cm	30	Ft	0.984	11.808	4.5
H	cm	42		1.378	16.536	
D	cm	22		0.722	8.664	
Port dia	mm	50				
Port Length	m	0.15	H			

