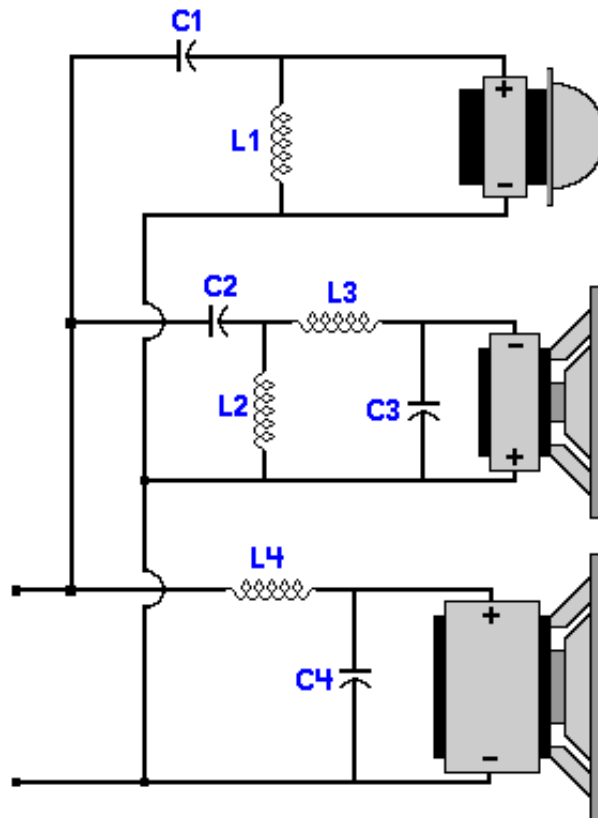


2nd Order Reverse Polarity

8000 Hertz / 1000 Hertz

4 Ohm Tweeter / 8 Ohm Mid / 4 Ohm Woofer
2.45 db Bandpass Gain, Spread = 8 : 3 octaves



Parts List

Capacitors

- C1** = 2.46 μF
- C2** = 13.46 μF
- C3** = 1.1 μF
- C4** = 19.7 μF

Inductors

- L1** = 0.16 mH
- L2** = 2.64 mH
- L3** = 0.26 mH
- L4** = 1.29 mH