

**Ferrite Magnet Die-cast Chassis Driver**



**Features**

- 2" Voice Coil
- 800 Watts Peak Power Handling
- Ferrite Magnetics
- Precision Rectangular Ribbon Wire Geometry
- Die Cast Aluminum Chassis

**Applications**

The P Audio SN6-200F is a high performance wide bandwidth transducer optimized for use in mid bass frequencies. The SN6-200F is an upgraded design that features many of P Audio's new technologies and performance upgrades. The 6.5 inch (165mm) diameter piston will produce extremely high sound pressure levels at both low and mid band frequencies and is ideal for high level response in both live sound and recorded music venues. The transducer uses high energy ferrite magnetics to achieve a very high acoustic output to weight ratio. The SN6-200F has been optimized for use in two way or three way sound reinforcement systems and has an operating range of 65Hz to 5000Hz.

The SN6-200F features a 2 inch (51.3mm) diameter voice coil that provides an AES rated 200 watts of continuous power handling and a full 800 watts of peak rated power handling when sufficient amplifier headroom is available. The SN6-200F utilizes P Audio's Auto Balanced Cooling (ABC) technology to not only improve transducer power handling and reliability but to also increase power compression performance by carefully balancing and directing airflow to critical areas.

The voice coil design is a bobbin wound geometry with P Audio's edge wound rectangular wire technology to improve conversion efficiency and provide a large cross-sectional area for superior cooling.

The SN6-200F utilizes a very high technology carbon fiber composite cone design to insure very high rigidity and extended piston range performance.

The transducer chassis is a die cast aluminum design that insures a very high degree of structural integrity.

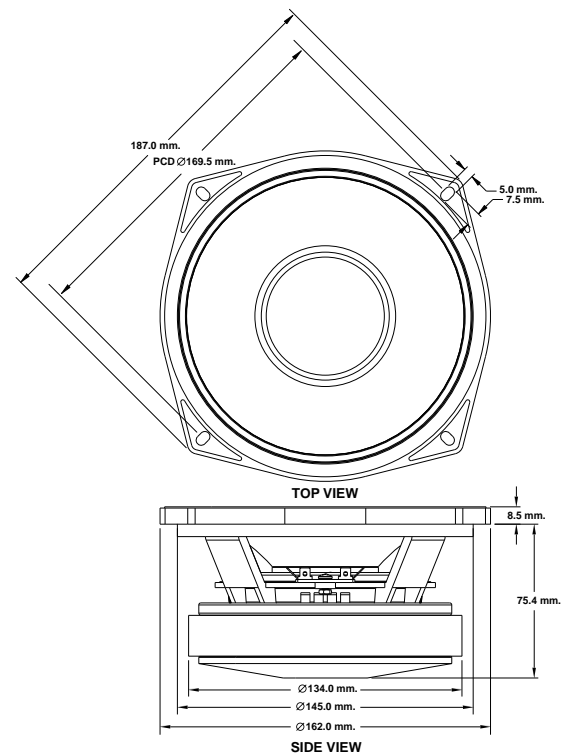
**Specifications**

**General Specifications**

Nominal diameter.....	165 mm/6.5 in
Power rating.....	200 W(AES)
Nominal impedance.....	8Ω
Sensitivity.....	94 dB
Frequency range.....	65-5000 Hz
Chassis type.....	Cast aluminum
Magnet type.....	Ferrite
Magnet weight.....	1.2 kg/41.1 oz
Voice coil diameter.....	51.3 mm/2.0 in
Coil material.....	CCA-R
Former material.....	Glass fiber
Cone material.....	Paper
Surround material.....	Rubber
Suspension.....	Single
X-max.....	2.5 mm/0.09 in
Gap depth.....	.6 mm/0.24 in
Voice coil winding width.....	.11 mm/0.43 in
Net Weight.....	2.8 kg/6.2 lb
Packing Dimension WxDxH.....	180 x 180 x 115 mm
Shipping Weight.....	3.0 kg/6.6 lb

**Small Signal Parameters**

Re.....	5.0Ω
Fs.....	76 Hz
Mms.....	12.75 g/0.45 oz
Mmd.....	11.65 g/0.41 oz
Qms.....	3.71
Qes.....	0.32
Qts.....	0.29
Vas.....	11.54 lt/0.41 ft³
Bl.....	9.73 Tm
Cms.....	1.6e-04 m/N
Rms.....	1.64 Ns/m
Le (at 1kHz).....	0.22 mH
Sd.....	154 cm²



**Frequency Response and Impedance Curves**

