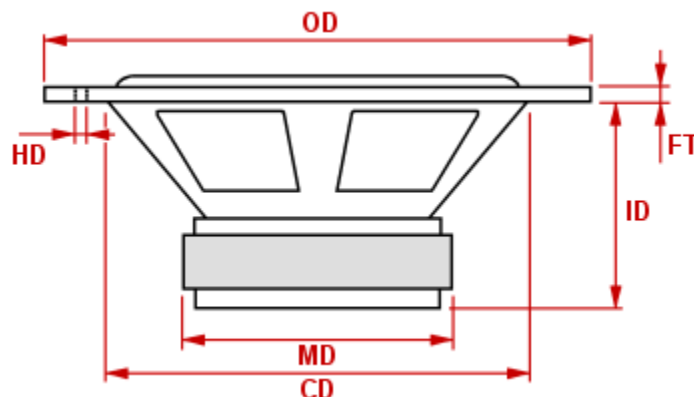




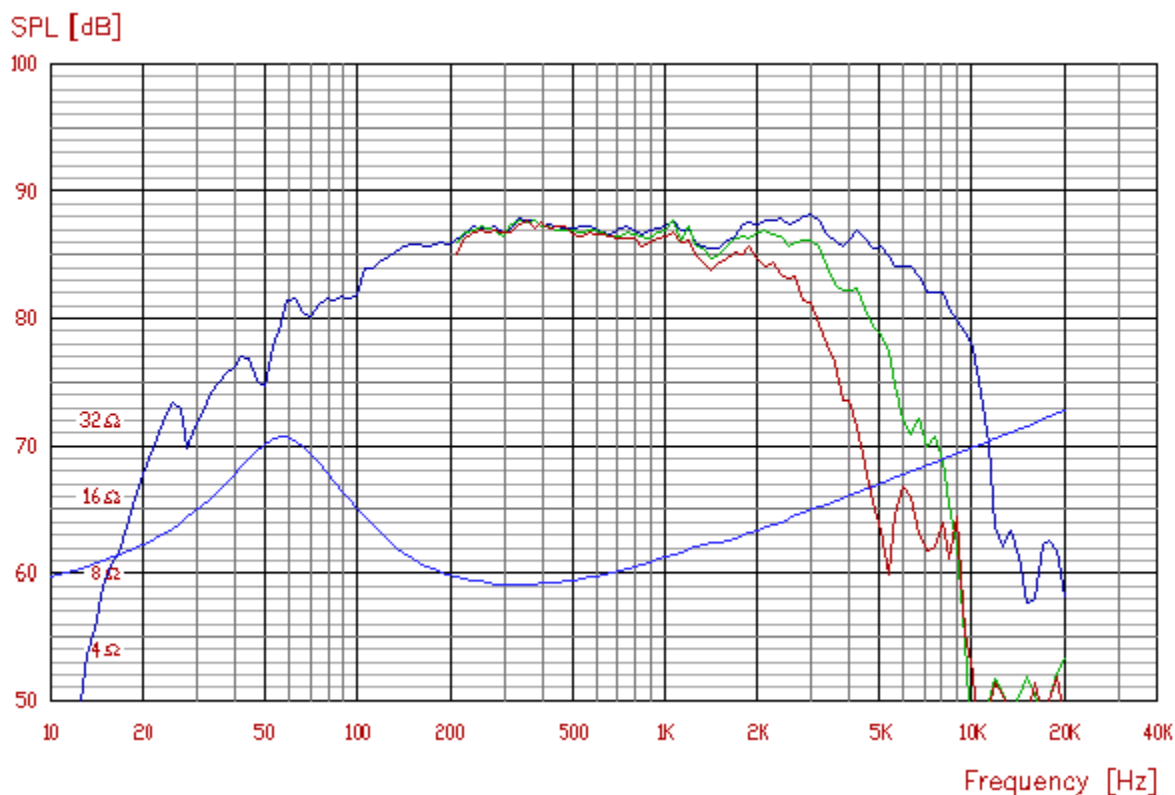
vifa

P13WH-00-08

Nominal impedance [ohm]	8
Voice coil resistance [ohm]	5.7
Nominal power [W]	40
Short term max power [W]	-
Long term max power [W]	-
Operating power [W]	6.3
Sensitivity [dB]	88
Frequency range [Hz]	60-5000
Free air resonance [Hz]	60
Voice coil diameter [mm]	25
Voice coil height [mm]	14
Air gap height [mm]	6
Voice coil inductance [mH]	0.7
Eff. diaphragm Area [cm ²]	86
Moving mass [g]	7.5
Magnet weight [g]/[oz]	415/14.6
Force factor [BI]	6.0
VAS [l]	10
Qms	1.38
Qes	0.43
Qts	0.33



OD:	140 mm	CD:	115 mm
FT:	4 mm	ID:	60.5 mm
MD:	91.8 mm	HD:	4xø5.1@ø132



Frequency response: 2.83V / 1m