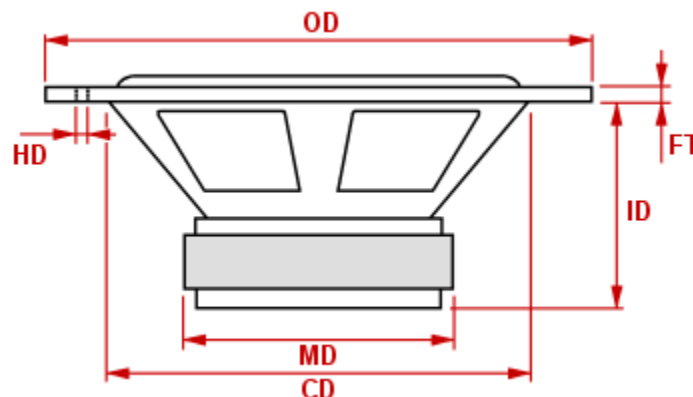




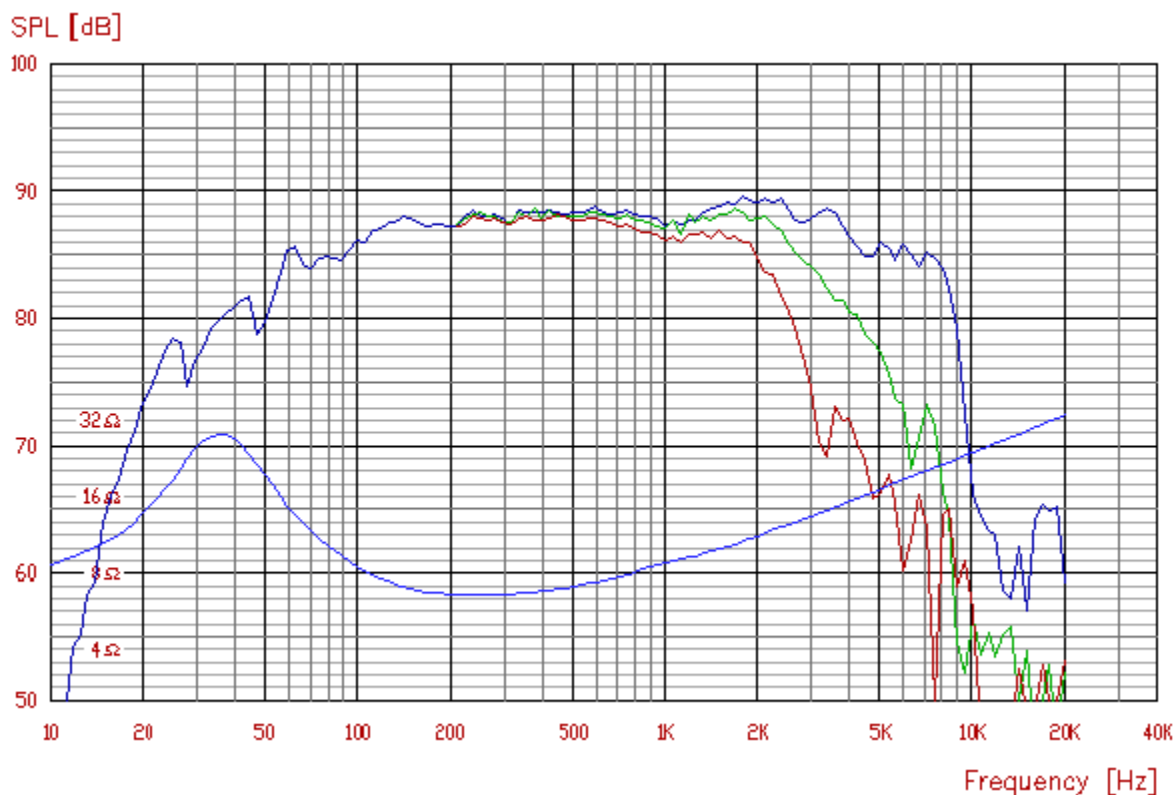
vifa

P17WJ-00-08

Nominal impedance [ohm]	8
Voice coil resistance [ohm]	5.8
Nominal power [W]	40
Short term max power [W]	350
Long term max power [W]	150
Operating power [W]	6.3
Sensitivity [dB]	88
Frequency range [Hz]	37-5000
Free air resonance [Hz]	37
Voice coil diameter [mm]	32
Voice coil height [mm]	14
Air gap height [mm]	6
Voice coil inductance [mH]	0.55
Eff. diaphragm Area [cm ²]	136
Moving mass [g]	14
Magnet weight [g]/[oz]	415/14.6
Force factor [BI]	6.5
VAS [l]	34.7
Q _{ms}	1.55
Q _{es}	0.45
Q _{ts}	0.35



OD:	170 mm	CD:	146 mm
FT:	4.2 mm	ID:	71.3 mm
MD:	91.8 mm	HD:	4xø5@ø162



Frequency response: 2.83V / 1m