

A.O.S. SCAN 100 TL ATC Mod. XL

external frontpanel fixed with glue
 material: 21 mm MDF painted in structure varnish

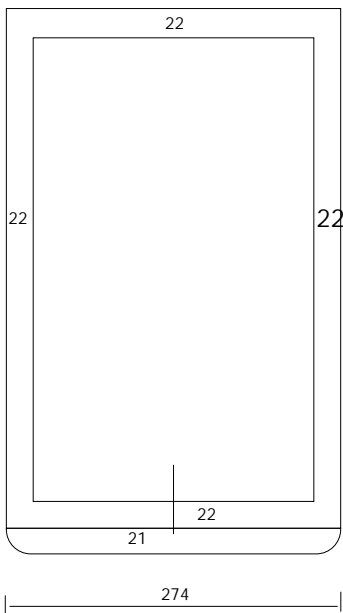
Cutting and milling datas:

ATC: external diameter 242 mm
 cutting hole 212 mm, milling depth 13mm

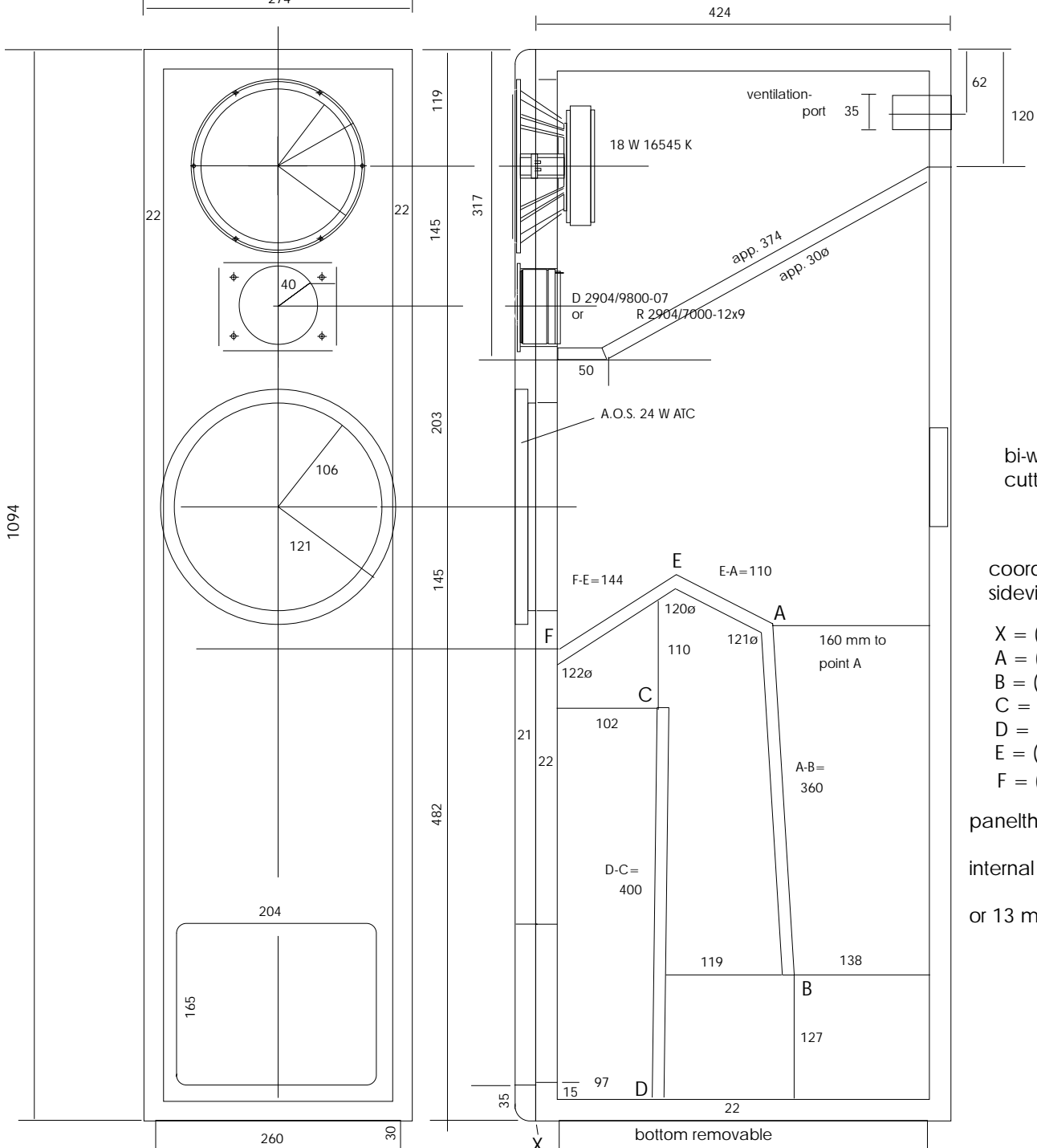
18 W: external diameter 177 mm
 cutting hole 157 mm, milling depth 4mm

Standard-version: D2904/9800: 120x90 mm, milling depth 3mm

XL-version: 120x90 mm, millingdepth 6.0 mm



rounded edges radius 20 mm



bi-wiring terminal
 cutting size 75 x 95 mm

coordinates (x/y)
 sideview

- X = (0/0) starting point
- A = (242/508)
- B = (264/149)
- C = (124/422)
- D = (119/22)
- E = (144/558)
- F = (22/482)

panelthickness 22 mm

internal divider 12 mm MDF

or 13 mm chipboard

if construction starts from the side panel, the bottom is fixed