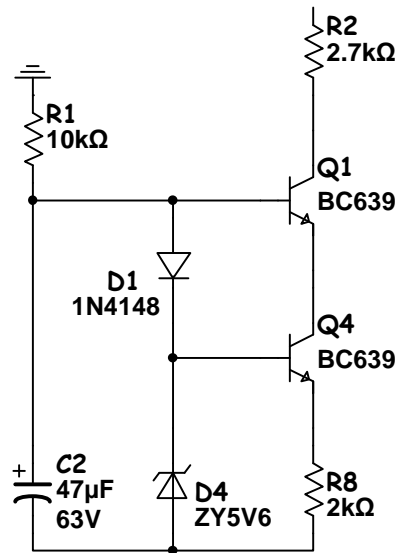


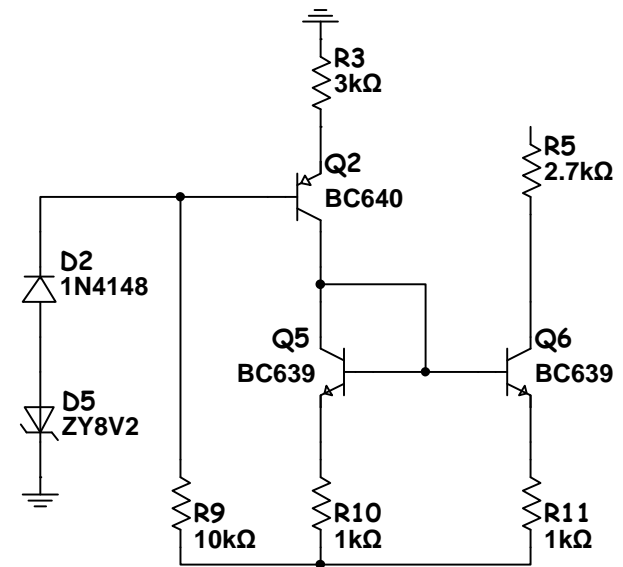
A.)

6 elements



B.)

8 elements



C.)

10 elements

NOTE:

Siemens/Philips BC 639-16/640-16 shown, but can be substituted by Motorola/ON Semi MPSA 056/06 with no loss of quality.

BC639-16 Gain range 100-250, Minimum Ft 100 MHz, Power 0.83W, Collector Current 1 A, Peak Coll. Current 1.5 A