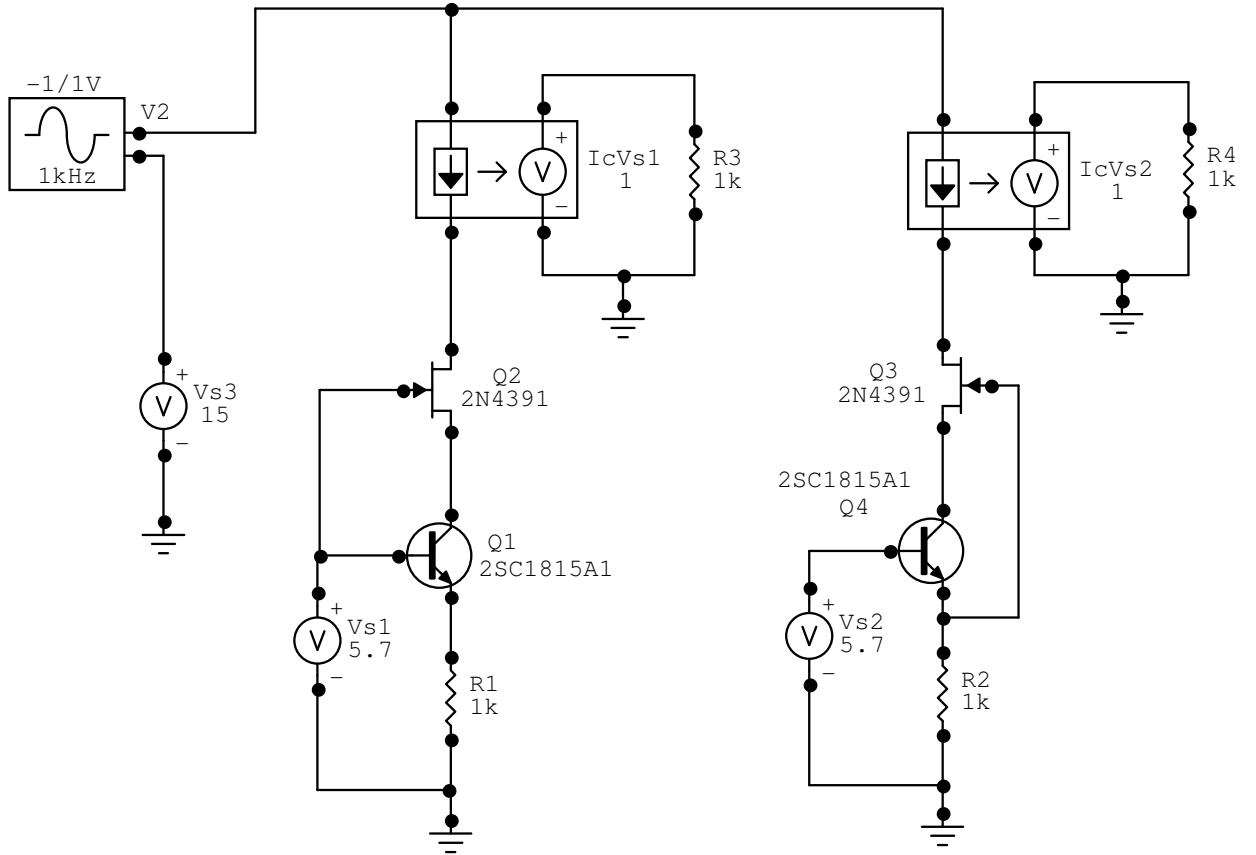


about 80uW of dissipation shift
at 1kHz in bipolars



394M output R for both circuits

1.7pF effective capacitance
to 100MHz at Q2 drain

58fF effective capacitance
to ~1MHz at Q3 drain