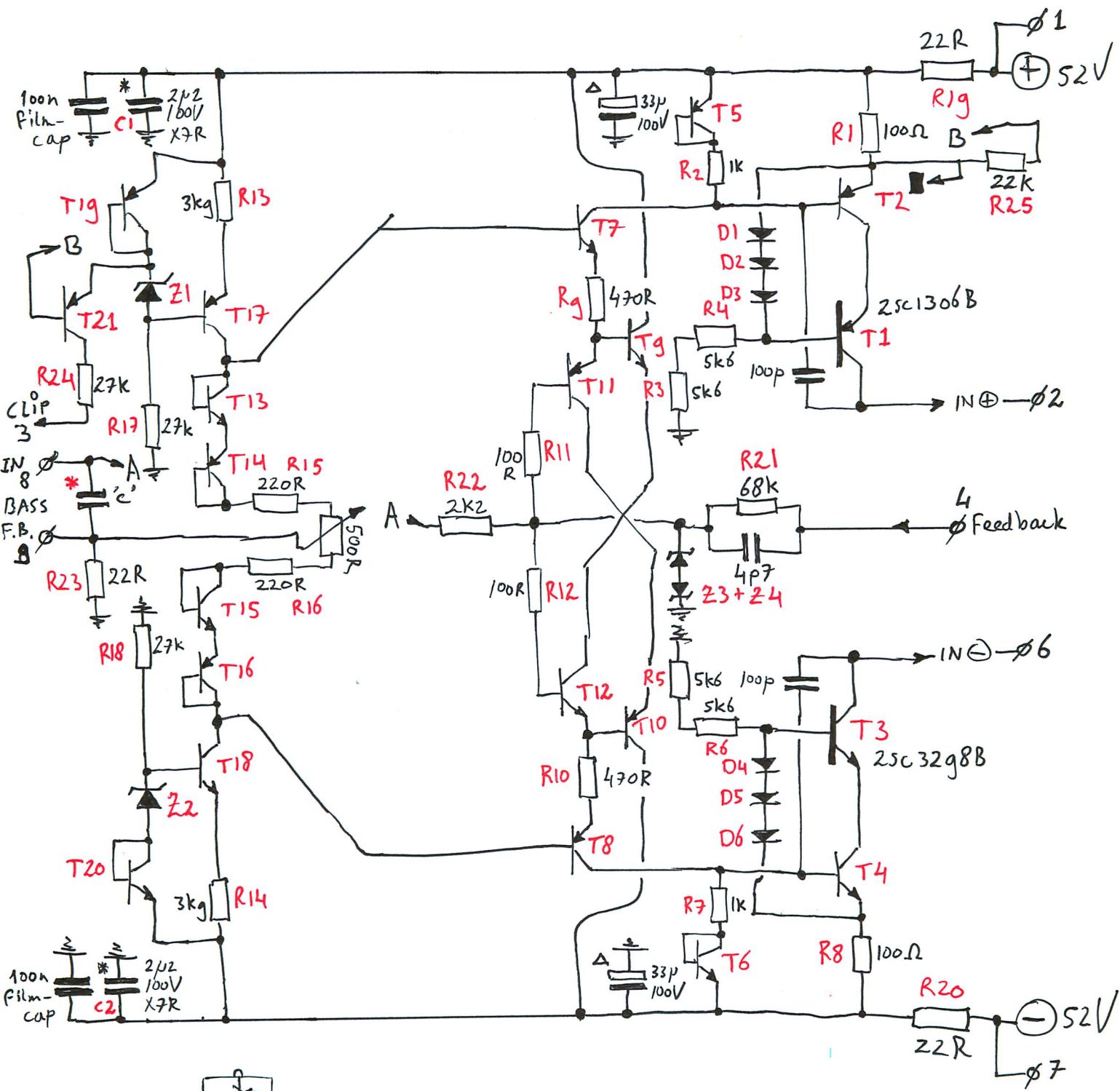


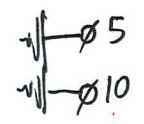
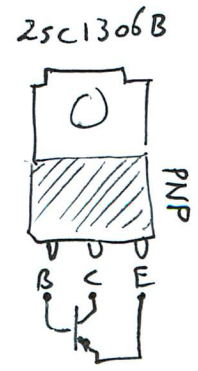
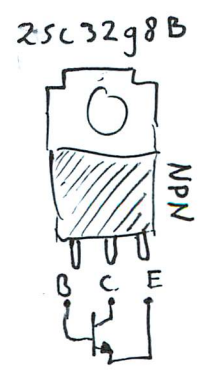
Genelec 1031A PA-DRIVER



CG=PNP
 DB=NPN

* All capacitors on top, except C' Added to improve Impulse Response

33p/100V
 105°C FC-cap



Drawn by Navelplus

