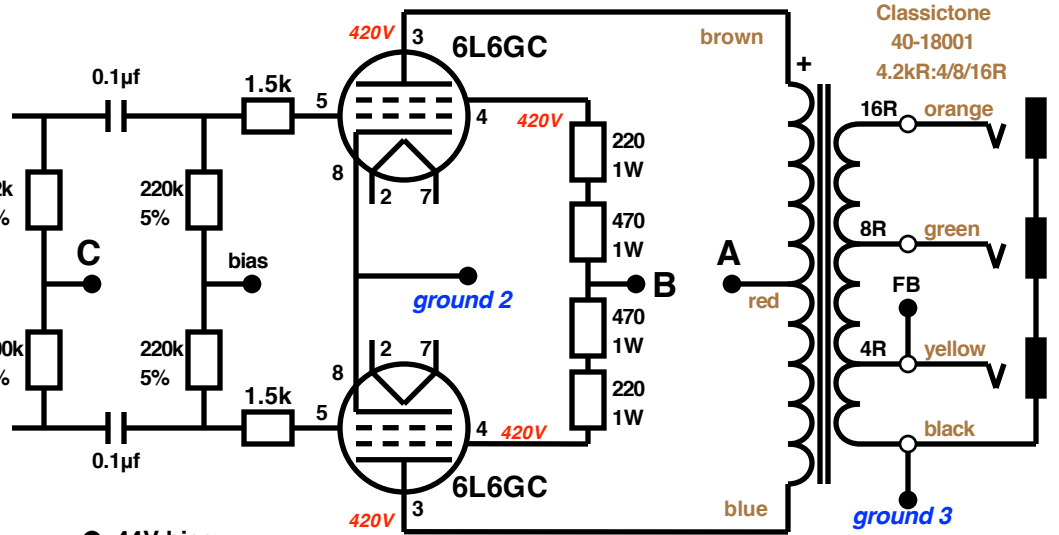


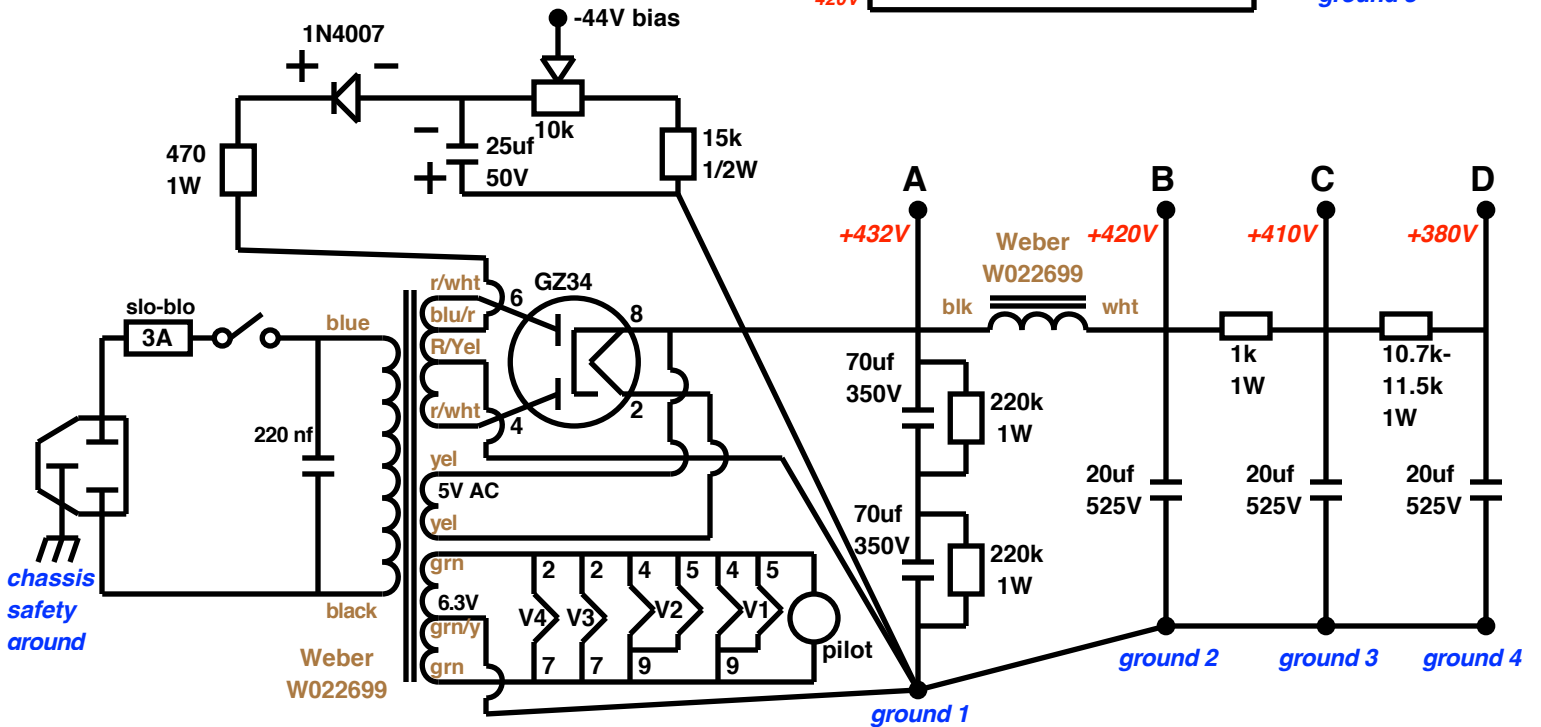
ground 4
to chassis

All R 1/2W 10% unless
o/w specified
All caps at least 400V
unless otherwise
specified
All pots linear except
1M volume



Classictone
40-18001
4.2kR:4/8/16R

ground 3



chassis
safety
around

Weber
W022699

ground 1

ground 2

ground 3

ground 4