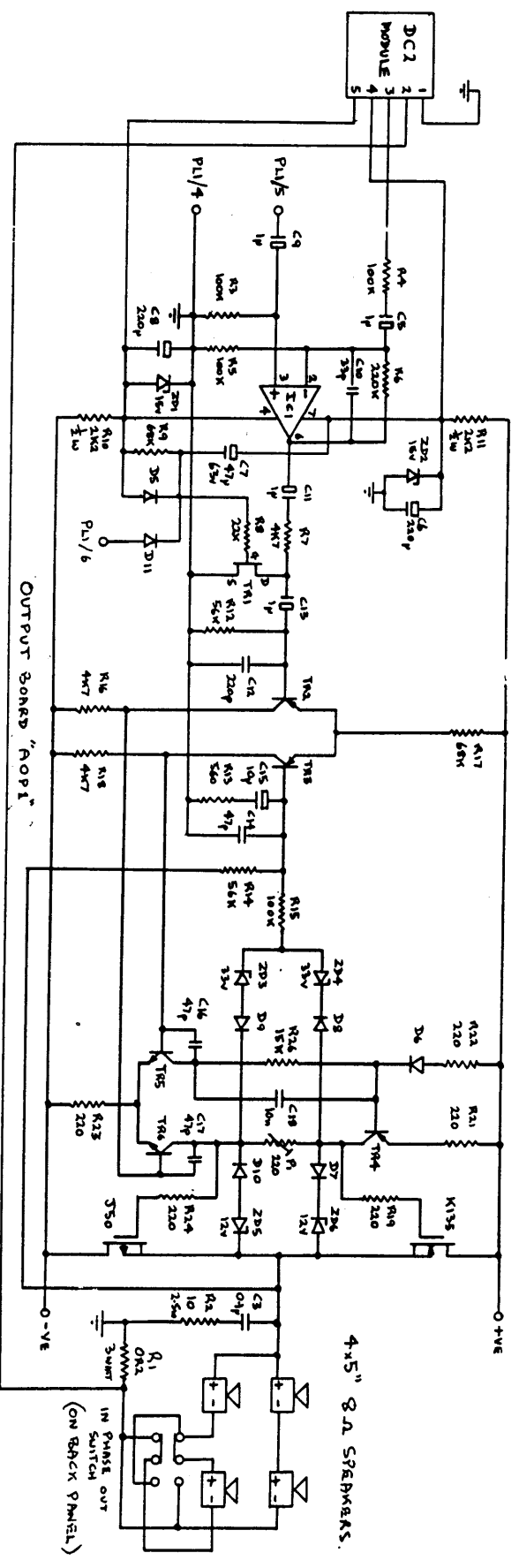
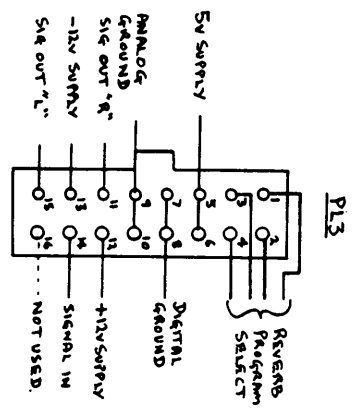
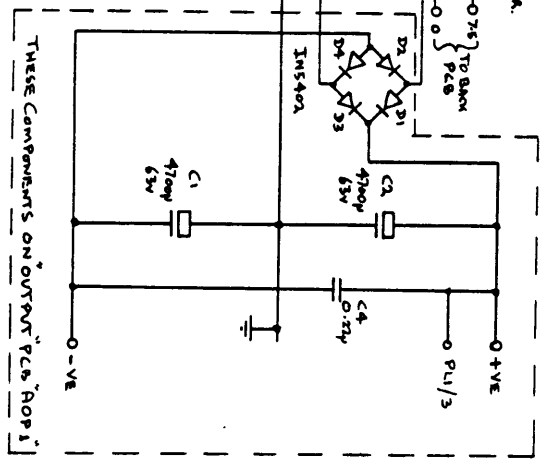


"DYNAMIC CORRECTION" MODULE



- TR1 = 5112
- TR2 } BF423
- TR3 } BF423
- TR4 } BF423
- TR5 } BF422
- TR6 } BF422
- IC1 = TL071
- D5w D10 = 1N4148
- D1w D4 = 1N5404



TOP VIEW

- PL2 and PL4**
- 1 0 PAR EA D.I.
 - 2 0 +5V
 - 3 0 DIGITAL AND
 - 4 0 ANALOG AND
 - 5 0 FX RETURN
 - 6 0 FX SEND
 - 7 0 POST READ.I. AND LINK
 - 8 0 +
 - 9 0 +30V
 - 10 0 REVERSE MTRB SIGNAL

TITLE TRACE ELLIOT T100 AND T100A CIRCUIT DIAGRAM, OUTPUT STAGE AND SUPPLY.

WORKED	16.5.91 C B
UPRINTED	23.11.90 (U)
DATE	5.7.90