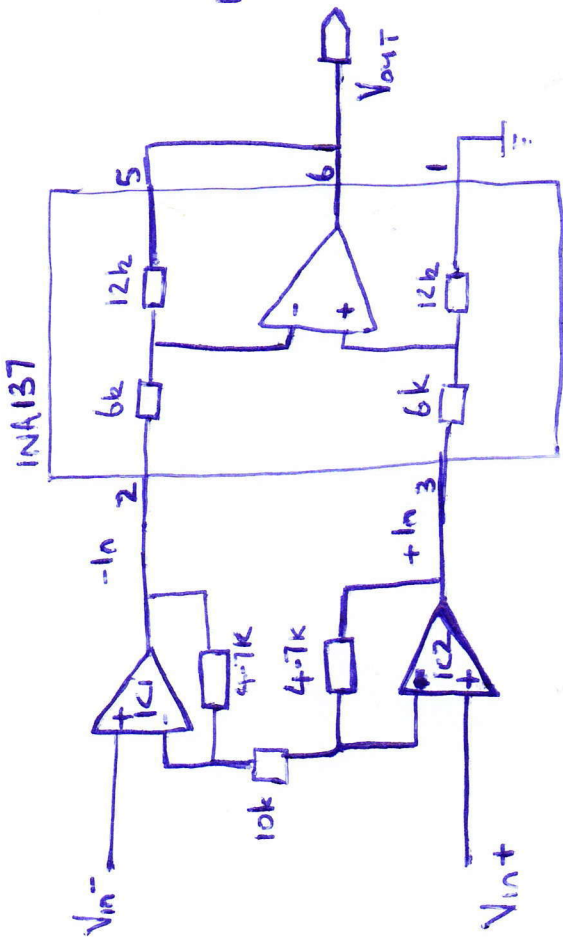


BALANCED LINE RECEIVER



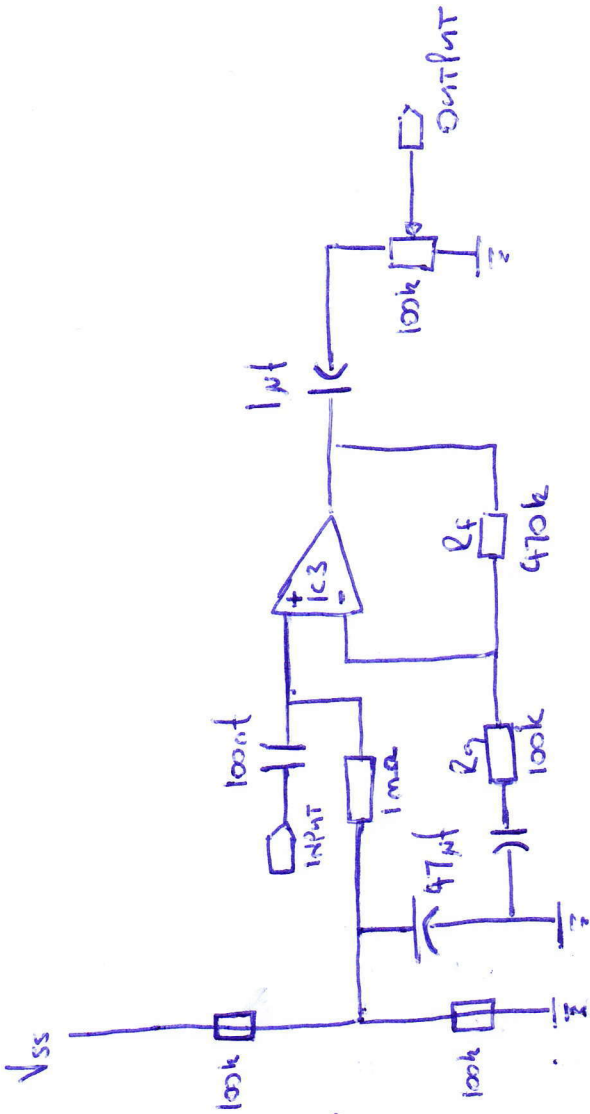
IC1 & IC2 ARE THE TWO HALVES OF AN INA137

$$\text{GAIN OF THIS NETWORK} = \left(1 + 2\frac{R_2}{R_1}\right) \cdot \left(\frac{1 + 2 \times 4.7}{10}\right)$$

$$\approx 2$$

GAIN OF INA137 = 1/2 SO OVERALL GAIN = 2 x 1/2 = 1

GENERAL BUFFER



IC3 = TL071

$$A < 20 \times \log\left(1 + \frac{R_f}{R_g}\right) \approx +15 \text{ dB}$$