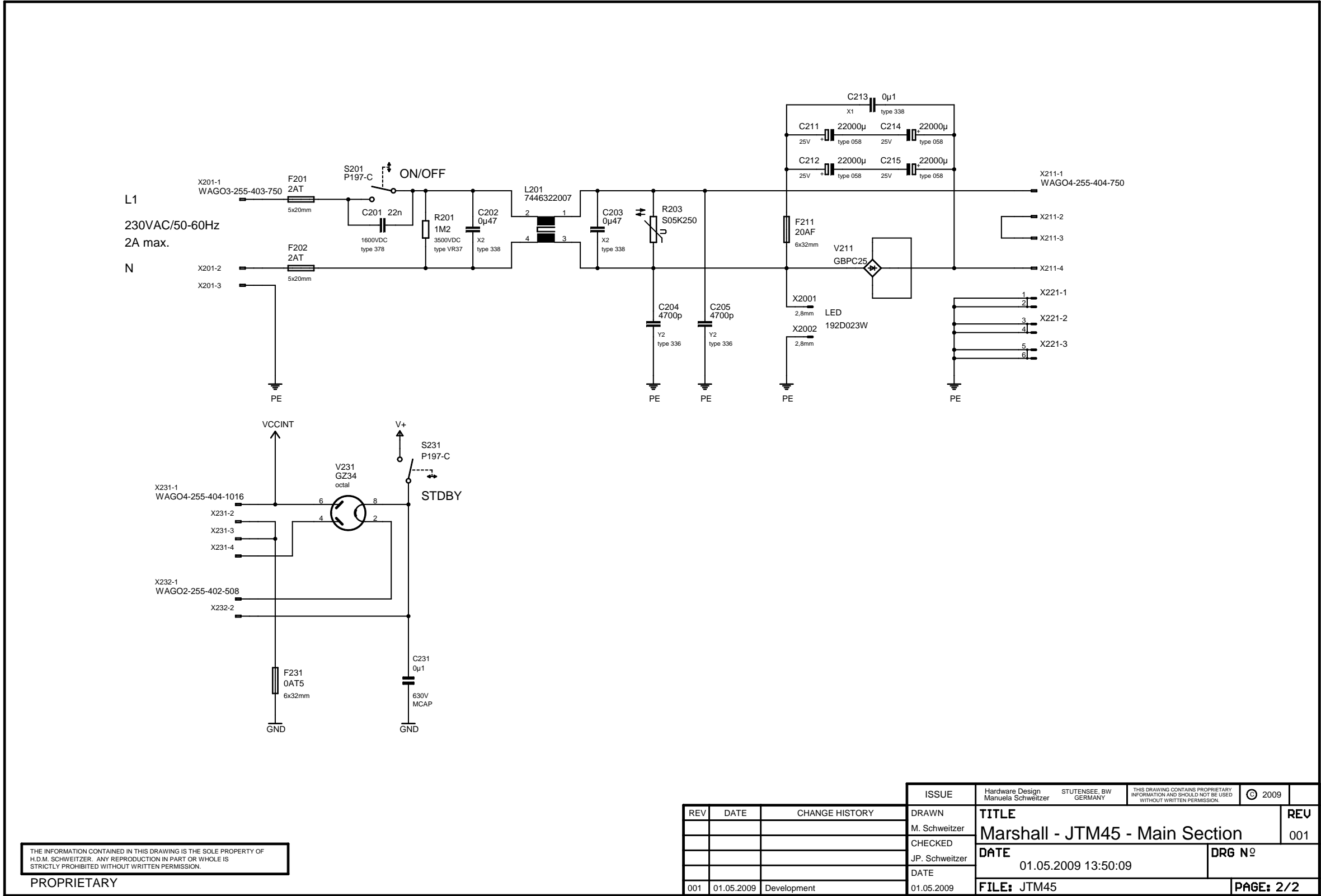


THE INFORMATION CONTAINED IN THIS DRAWING IS THE SOLE PROPERTY OF H.D.M. SCHWEITZER. ANY REPRODUCTION IN PART OR WHOLE IS STRICTLY PROHIBITED WITHOUT WRITTEN PERMISSION.

PROPRIETARY

REV		DATE	CHANGE HISTORY	ISSUE	Hardware Design Manuela Schweitzer	STUTENSEE, BW GERMANY	THIS DRAWING CONTAINS PROPRIETARY INFORMATION AND SHOULD NOT BE USED WITHOUT WRITTEN PERMISSION.	© 2009	REV
				DRAWN	M. Schweitzer				001
				CHECKED	JP. Schweitzer				
				DATE		01.05.2009 13:50:09		DRG N°	
				DATE					
001	01.05.2009		Development			01.05.2009		FILE: JTM45	PAGE: 1/2



THE INFORMATION CONTAINED IN THIS DRAWING IS THE SOLE PROPERTY OF H.D.M. SCHWEITZER. ANY REPRODUCTION IN PART OR WHOLE IS STRICTLY PROHIBITED WITHOUT WRITTEN PERMISSION.

PROPRIETARY

REV	DATE	CHANGE HISTORY	ISSUE	Hardware Design Manuela Schweitzer	STUTENSEE, BW GERMANY	THIS DRAWING CONTAINS PROPRIETARY INFORMATION AND SHOULD NOT BE USED WITHOUT WRITTEN PERMISSION.	© 2009	REV
			DRAWN	M. Schweitzer	TITLE			001
			CHECKED	JP. Schweitzer	DATE			
			DATE		01.05.2009 13:50:09			DRG N°
001	01.05.2009	Development			FILE: JTM45			PAGE: 2/2