



6

5

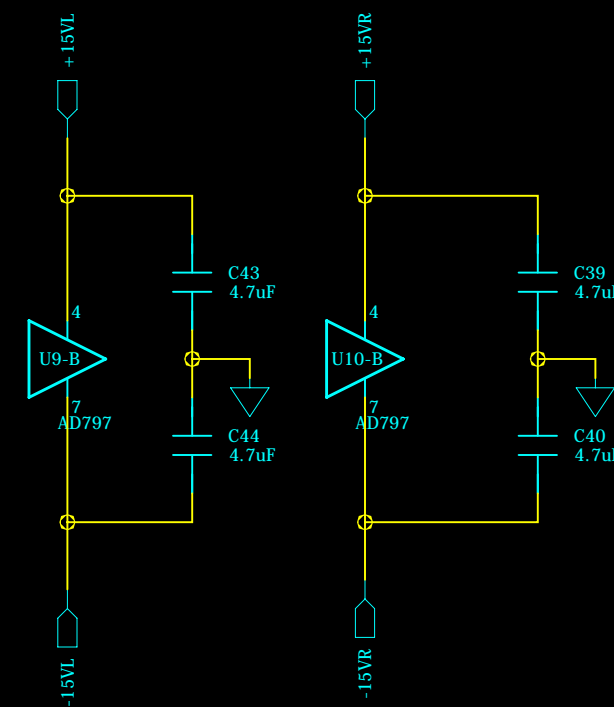
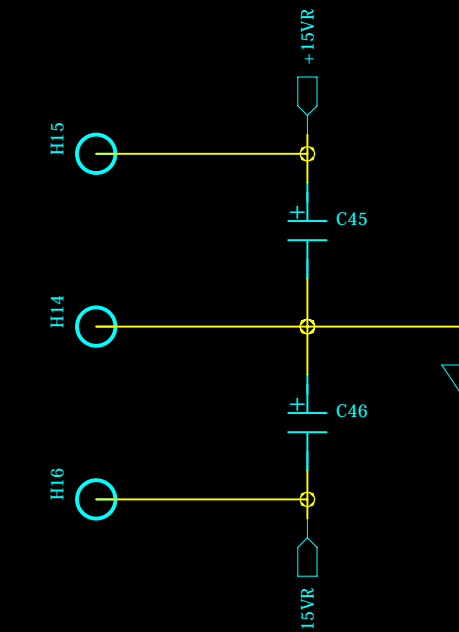
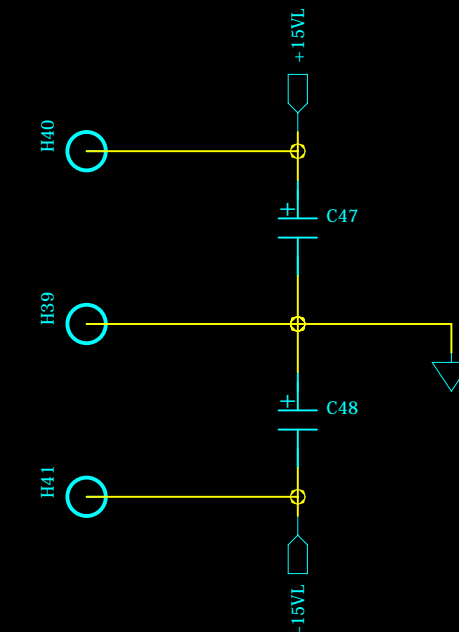
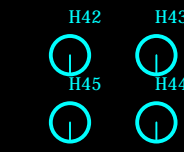
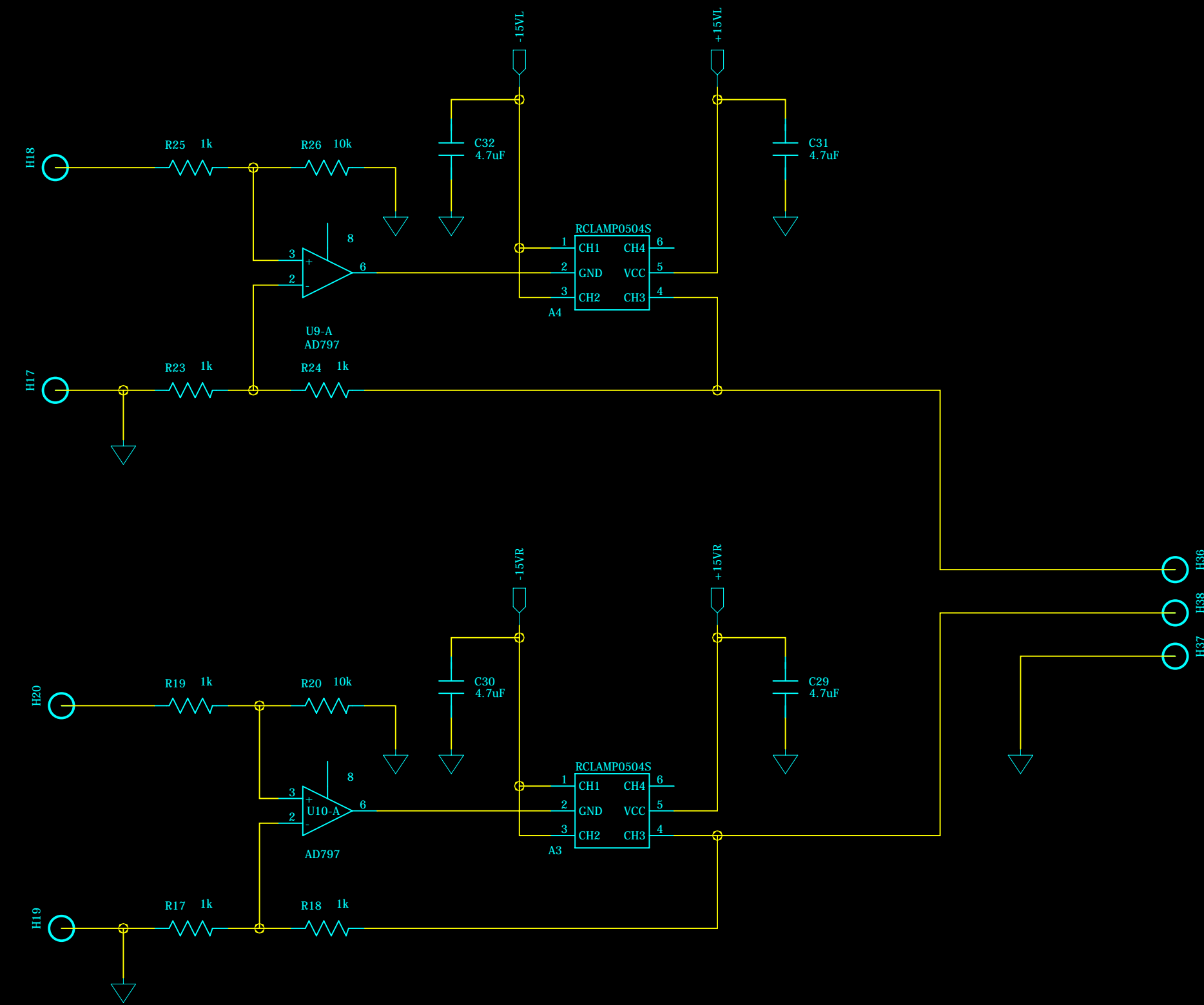
4

3

2

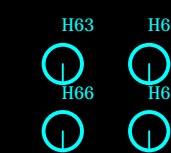
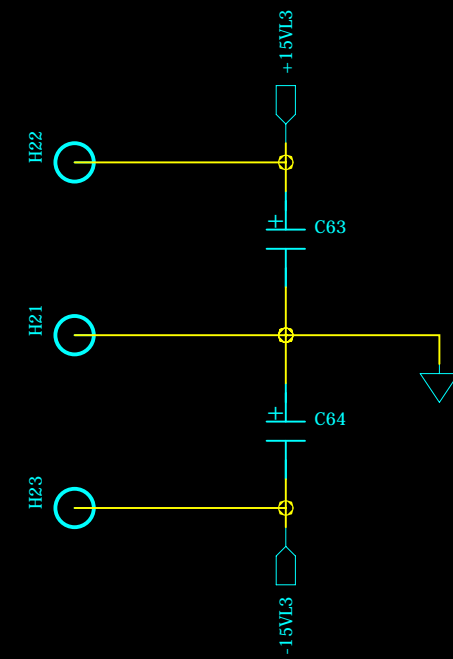
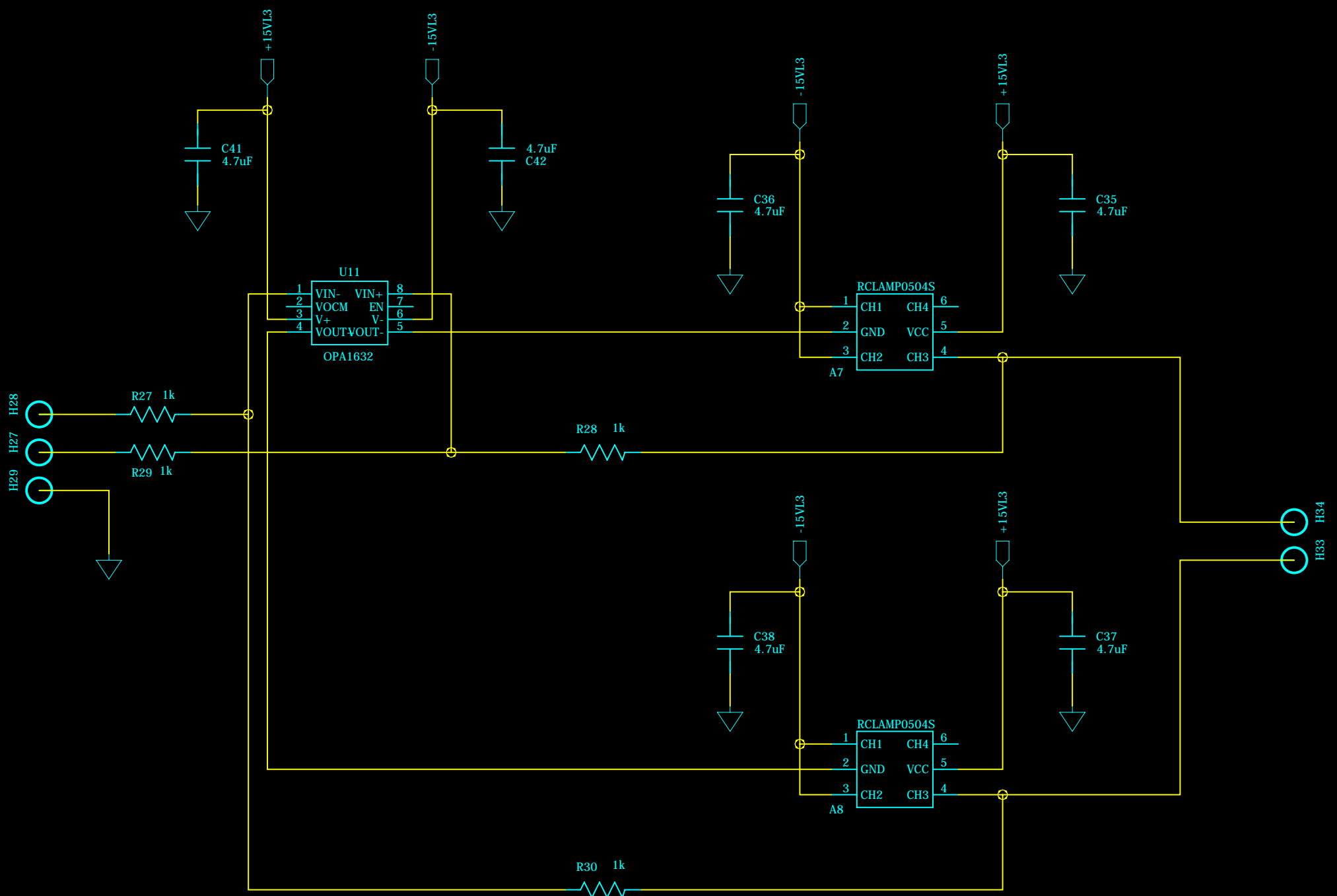
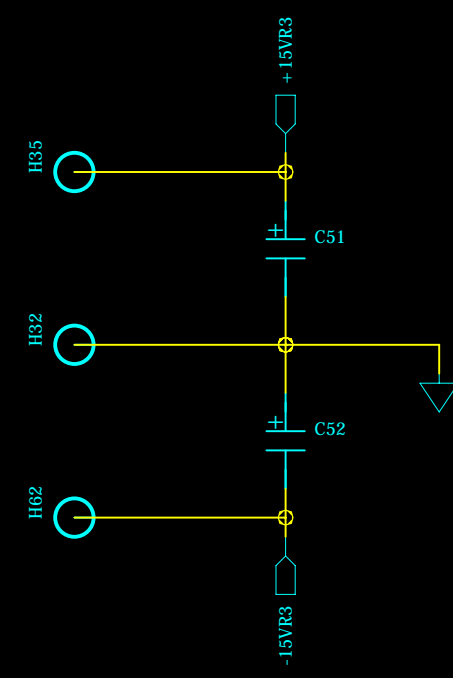
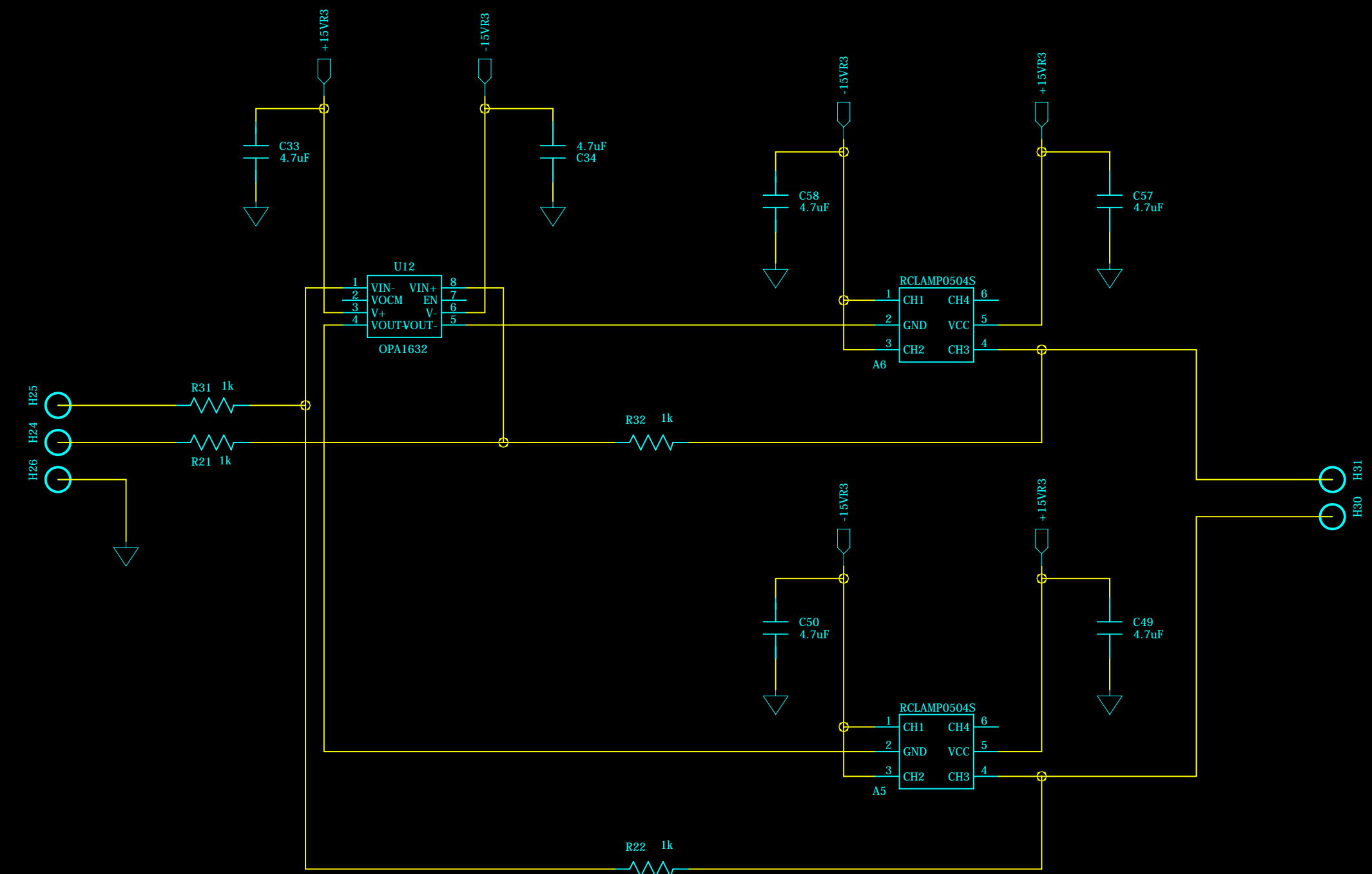
1

REVISION RECORD			
LTR	ECO NO.	APPROVED:	DATE:



COMPANY: <Company Name>			
TITLE: <Title>			
DRAWN: <Drawn By>	DATED: <Drawn Date>	CODE: <Code>	SIZE: D
CHECKED: <Checked By>	DATED: <Checked Date>	DRAWING NO: <Drawing Number>	
QUALITY CONTROL: <QC By>	DATED: <QC Date>	REV: <Revision>	
RELEASED: <Released By>	DATED: <Release Date>	SCALE: <Scale>	SHEET: 2 OF 3

REVISION RECORD			
LTR	ECO NO.	APPROVED:	DATE:



COMPANY: <Company Name>

TITLE: <Title>

DRAWN: <Drawn By>	DATED: <Drawn Date>	CODE:	SIZE:	DRAWING NO.:	REV:
CHECKED: <Checked By>	DATED: <Checked Date>	<Code>	D <Drawing Number>	<Revision>	
QUALITY CONTROL: <QC By>	DATED: <QC Date>				
RELEASED: <Released By>	DATED: <Release Date>	SCALE: <Scale>	SHEET: 30F 3		