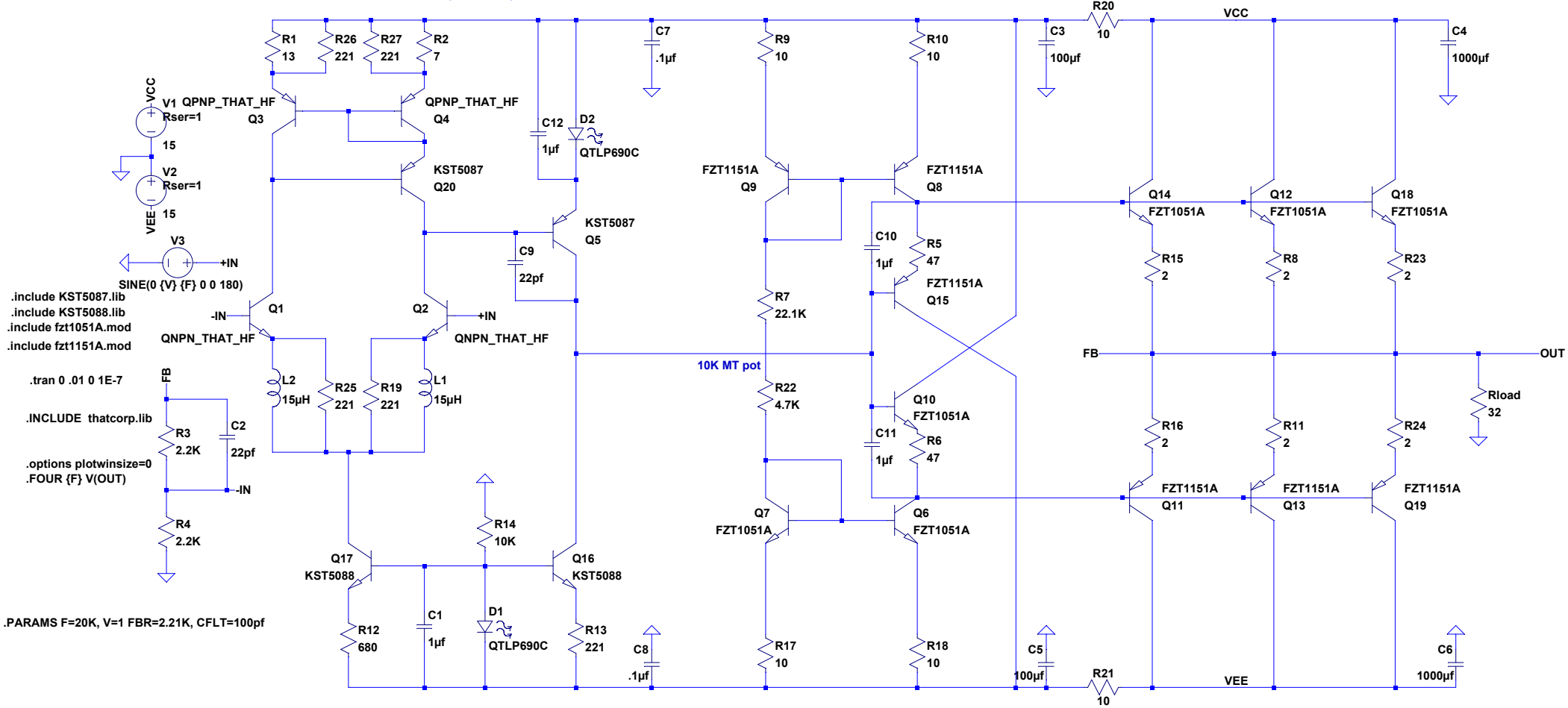


R1 and R2 = 20ohm multi turn trim pot with wiper to VCC



C2 and C9 added for stability. Should be unity gain stable.