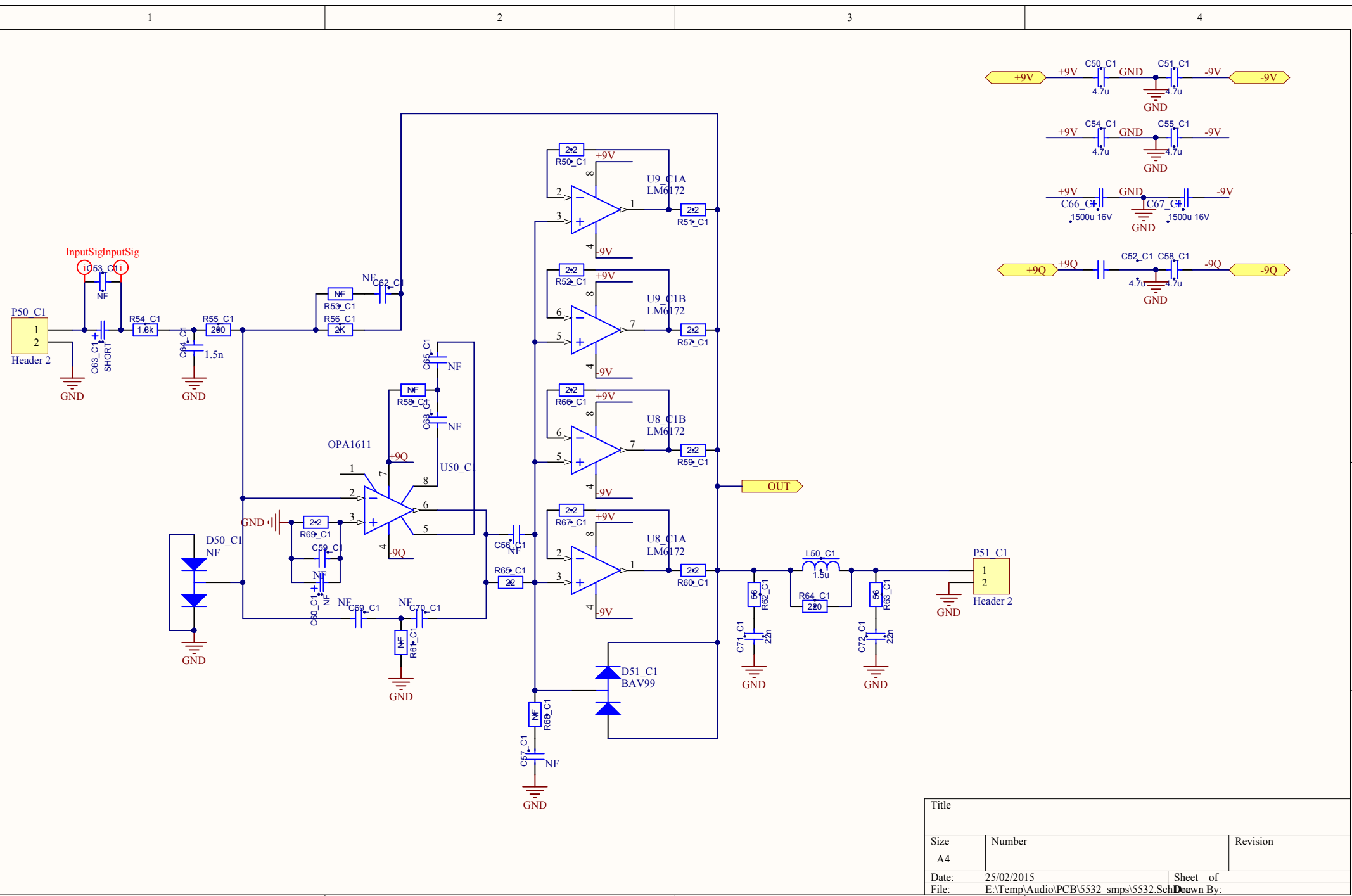
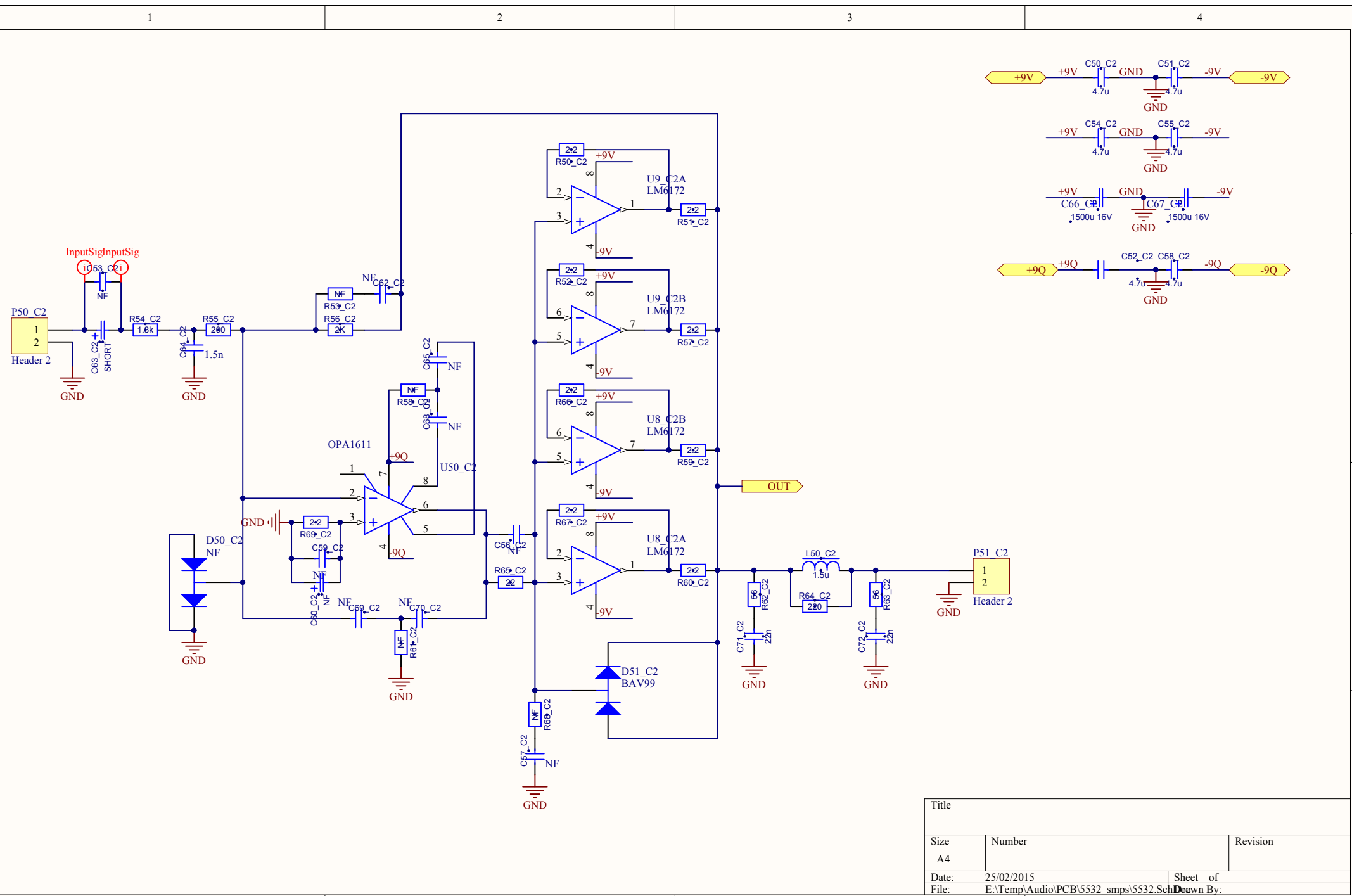


A  
B  
C  
D



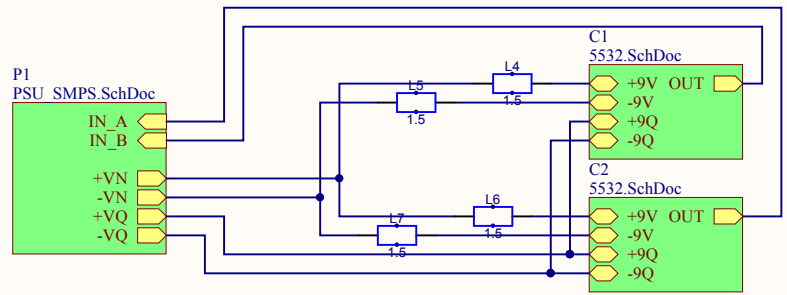
Title		
Size	Number	Revision
A4		
Date:	25/02/2015	Sheet of
File:	E:\Temp\Audio\PCB\5532_smps\5532.SchDoc	

A  
B  
C  
D



Title		
Size	Number	Revision
A4		
Date:	25/02/2015	Sheet of
File:	E:\Temp\Audio\PCB\5532_smps\5532.SchDocn Down By:	





Title		
Size	Number	Revision
A4		
Date:	25/02/2015	Sheet of
File:	E:\Temp\Audio\PCB\5532_smps\TOP.Sch	