

YAHA 2.0 Circuit Board

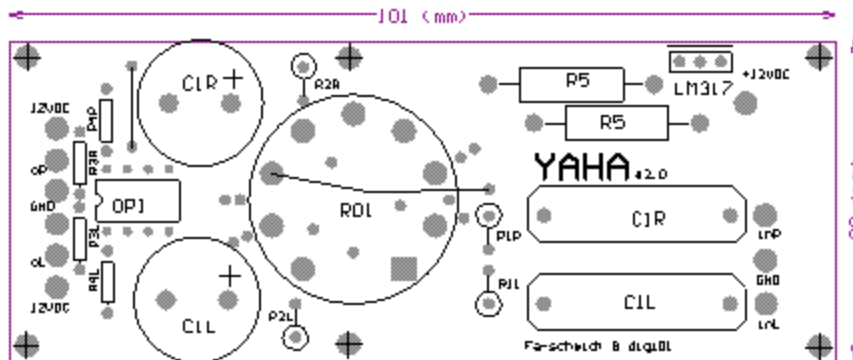
Zang 2009.02.15



The YAHA is a smart tube & opamp hybrid headphone amplifier. Designed by fa-schmidt, here is the full article [LINK](#).

It is a simple project for tube beginner.

Here is a PCB board design, it will save you time to build it. I think :O)



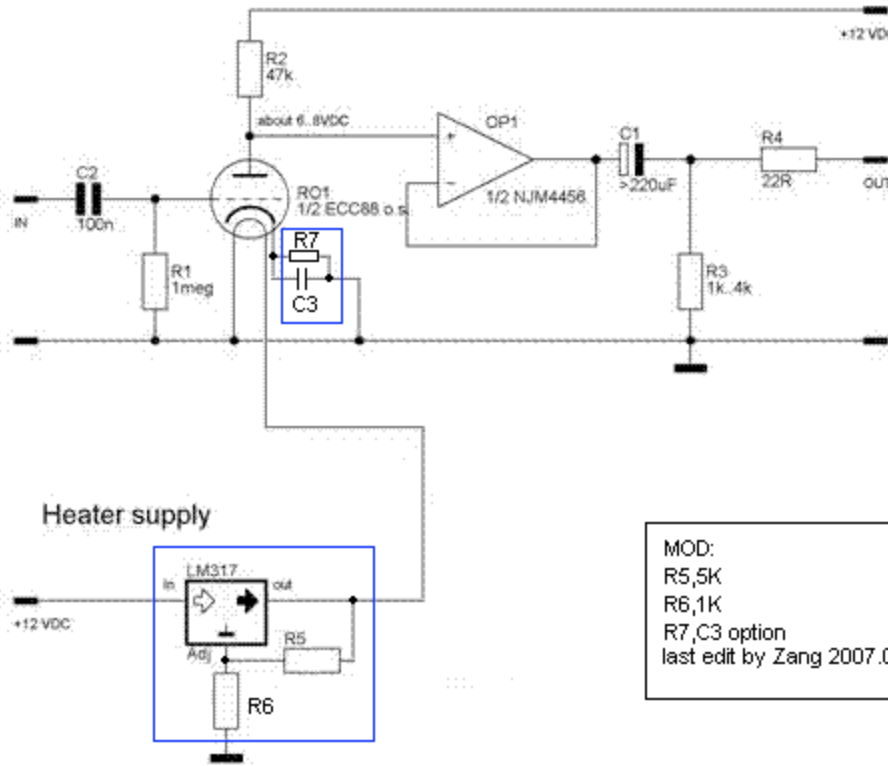
The below buy now button is for 4PCBs & shipping.



The board layout is basis on fa-schmidt original article.

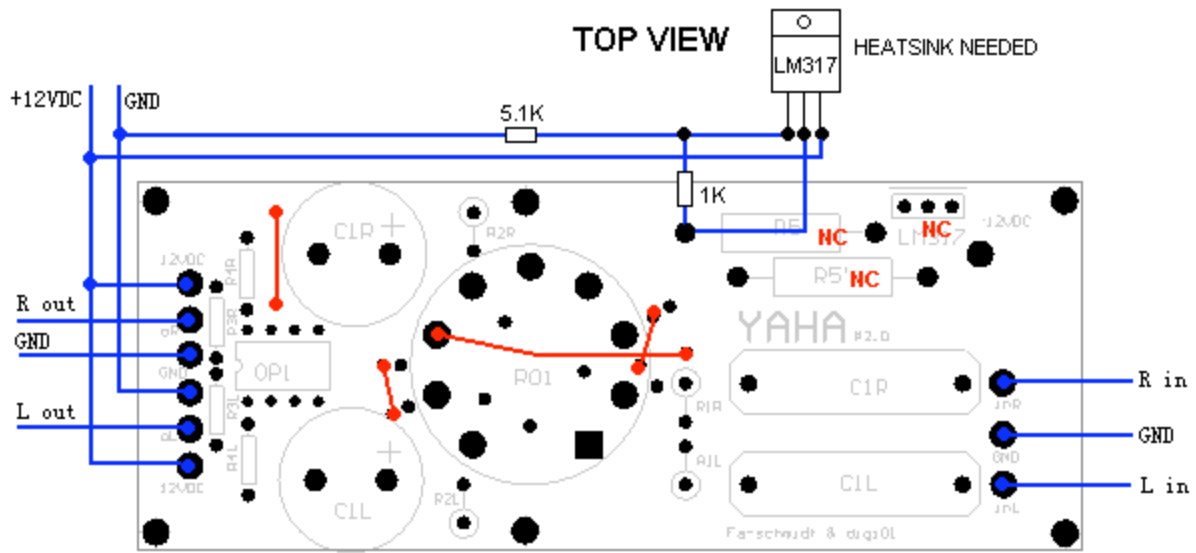
If you would like running the tube heater voltage regulated, check the below pics for more information.

YAHA Amp, one channel shown



MOD:
 R5,5K
 R6,1K
 R7,C3 option
 last edit by Zang 2007.04.10

Änderungen		Datum	Name	Bezeichnung	Blattzahl: 1
Datum	Name	gez.: 08.05.2005		YAHA - Yet Another Hybrid Amp dedicated to John Broskie and Pete Millett	Blatt-Nr.: 1
		gepr.:			
(c) Frank-Andreas Schmidt aka fa-schmidt.				Zeichnungs-Nr.:	



[Go back to HOME](#)