

A

B

C

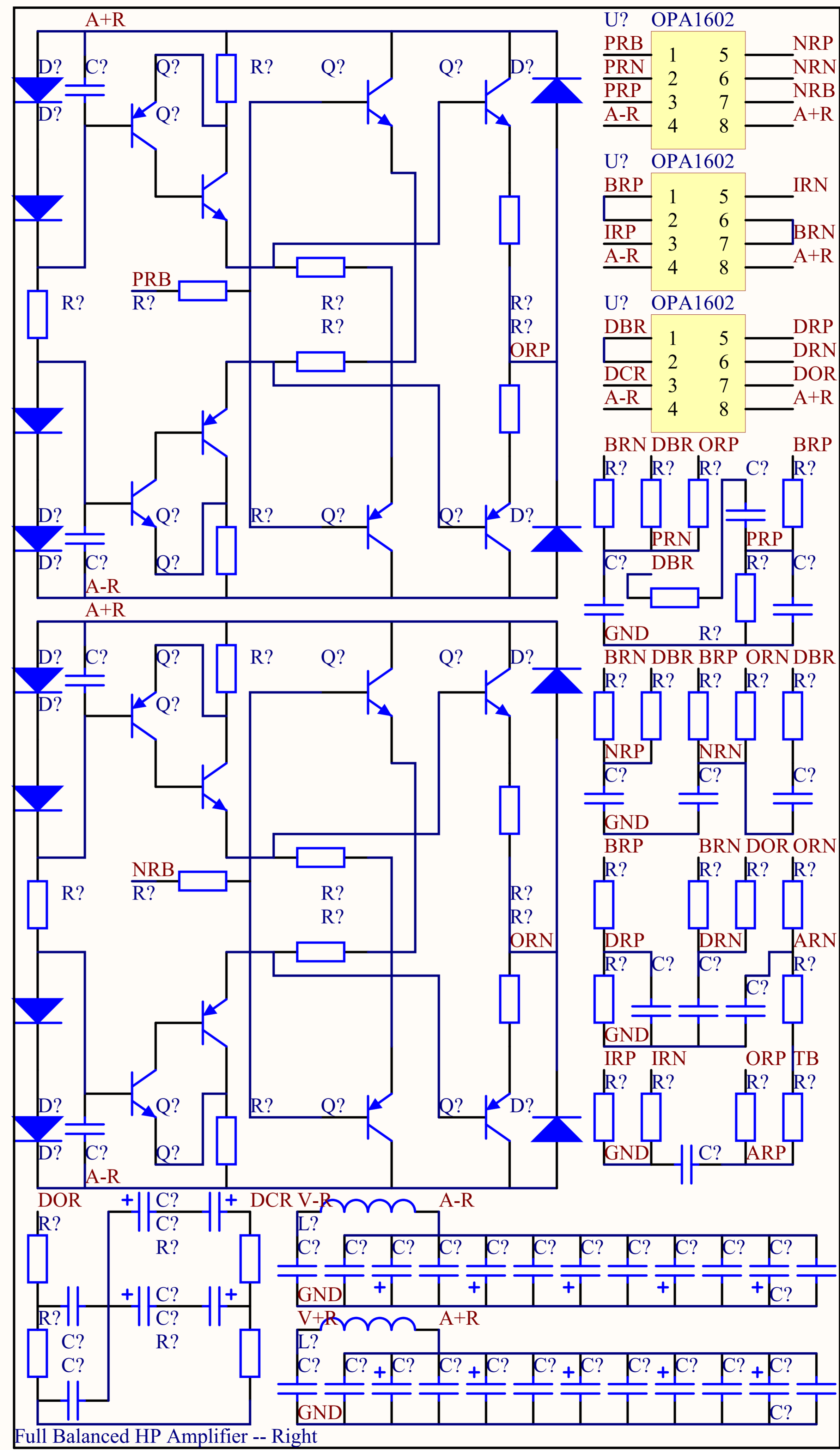
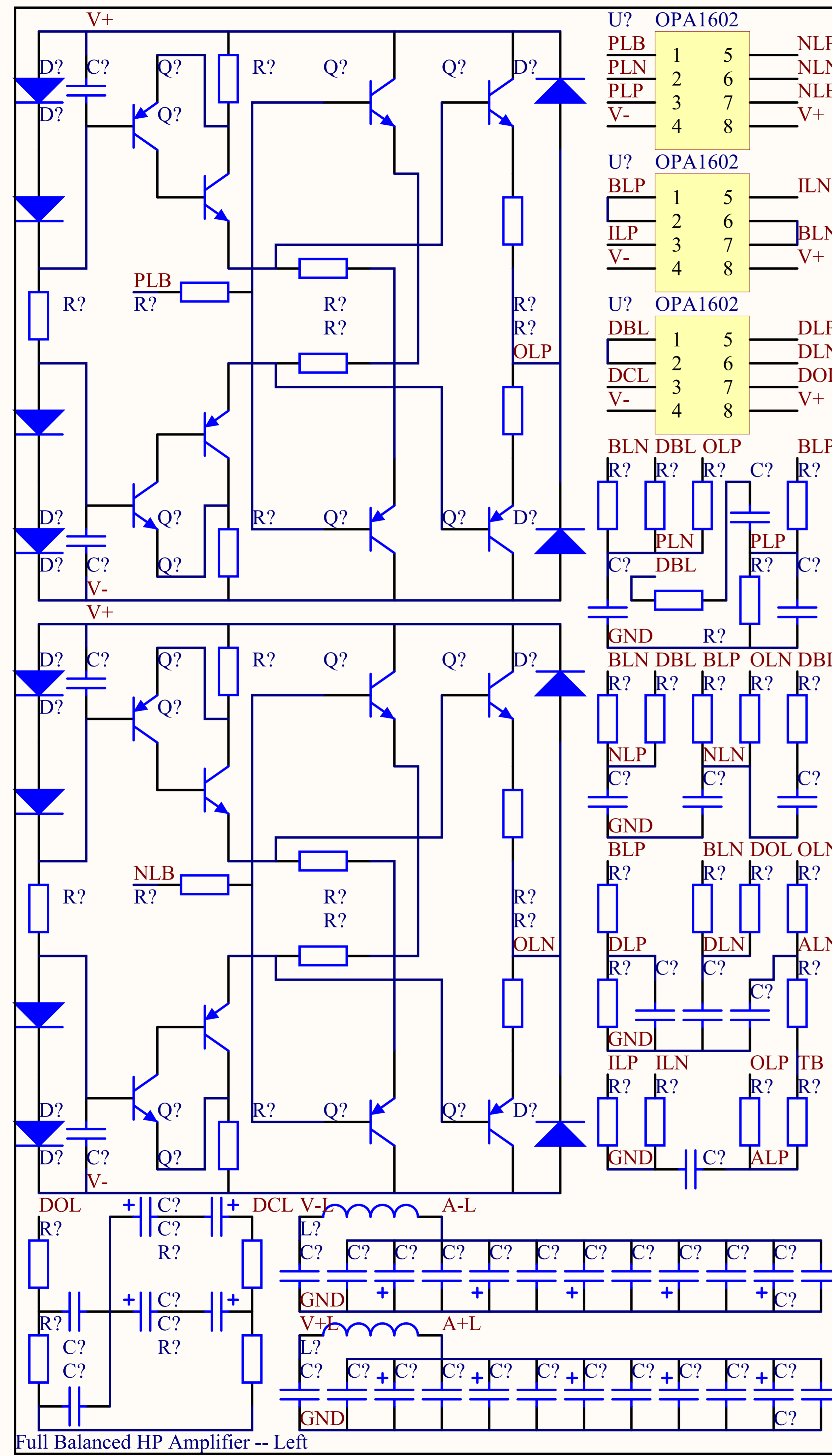
D

A

B

C

D



1 2 3 4 5 6

A A

P? CONN1

<u>VBP</u>	1	11	_____	GND
<u>VBP</u>	2	12	_____	V3
<u>VBP</u>	3	13	_____	SCL
<u>VBP</u>	4	14	_____	SDA
<u>PGD</u>	5	15	_____	GND
<u>V3P</u>	6	16	_____	PGD
<u>PEN</u>	7	17	_____	PGD
<u>ICL</u>	8	18	_____	PGD
<u>IDA</u>	9	19	_____	PGD
<u>PGD</u>	10	20	_____	PGD

B B

P? CONN2

<u>GND</u>	1	11	_____	GND
<u>ILP</u>	2	12	_____	OLP
<u>GND</u>	3	13	_____	GND
<u>ILN</u>	4	14	_____	OLN
<u>GND</u>	5	15	_____	GND
<u>GND</u>	6	16	_____	GND
<u>IRP</u>	7	17	_____	ORP
<u>GND</u>	8	18	_____	GND
<u>IRN</u>	9	19	_____	ORN
<u>GND</u>	10	20	_____	GND

C C

I/O Connectors

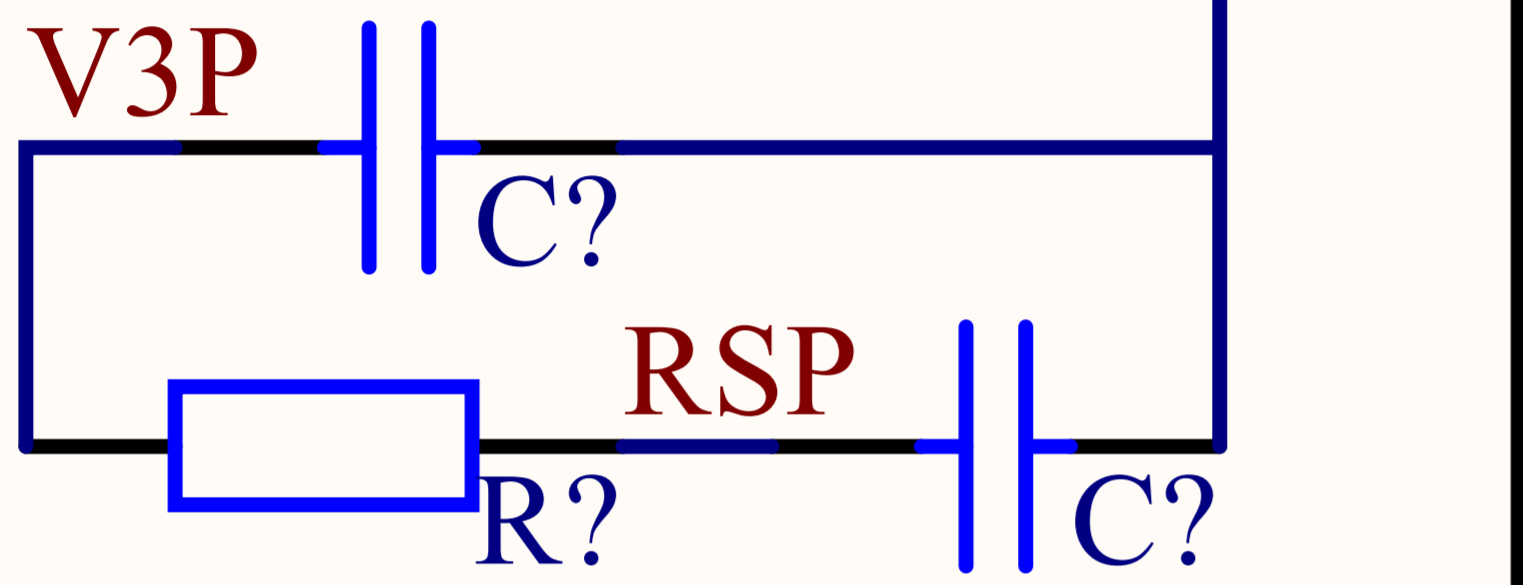
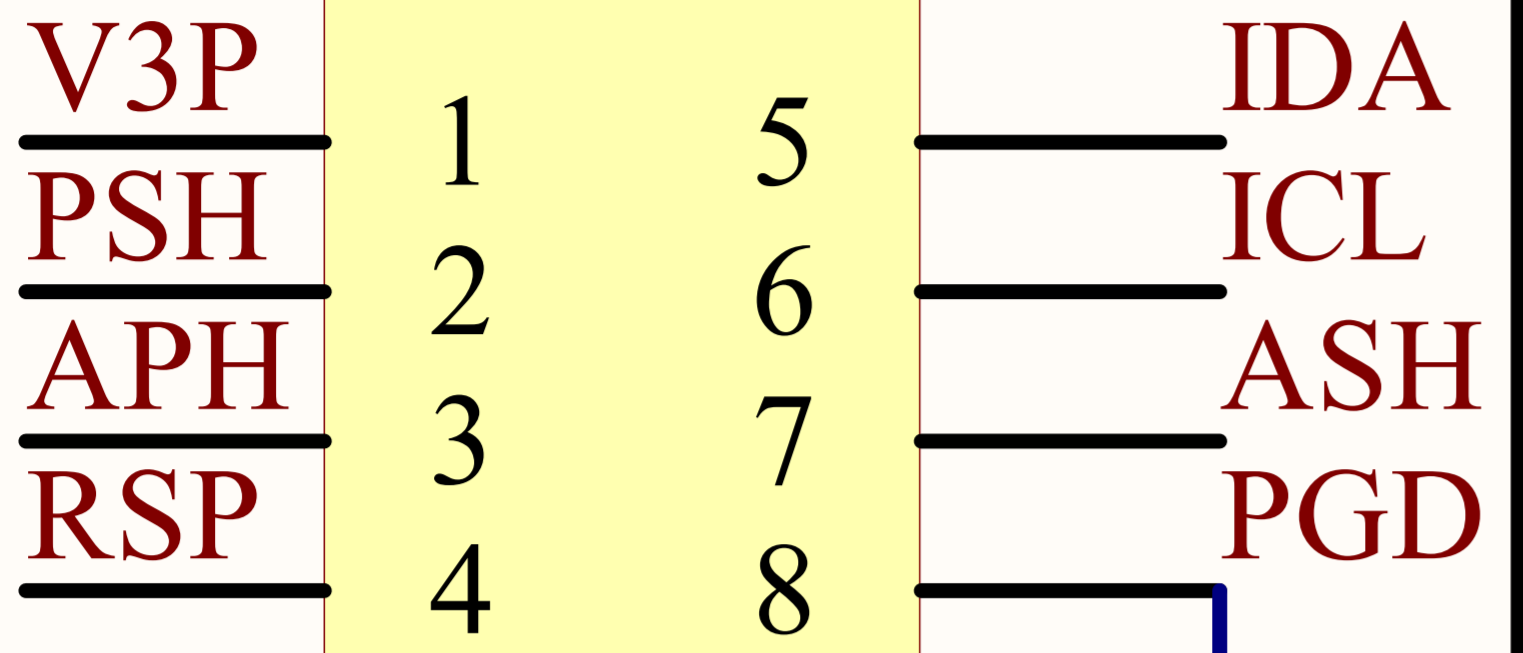
D D

1 2 3 4 5 6

1 2 3 4 5 6

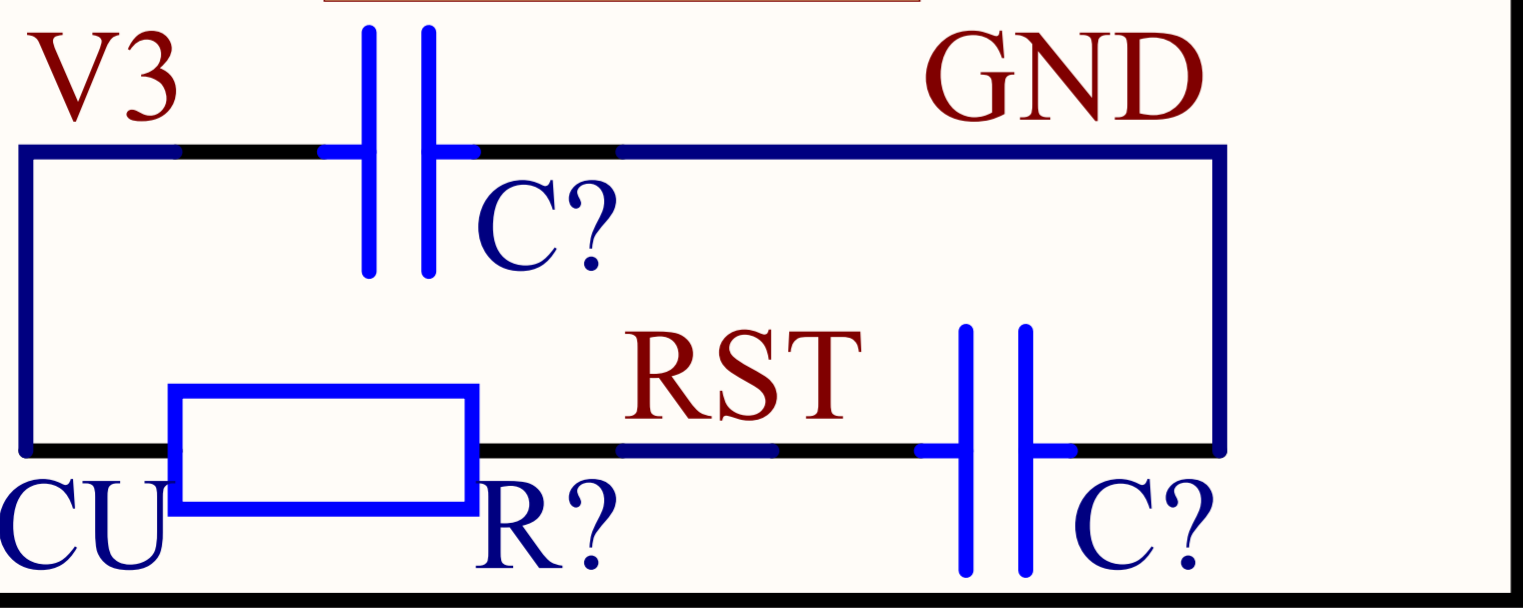
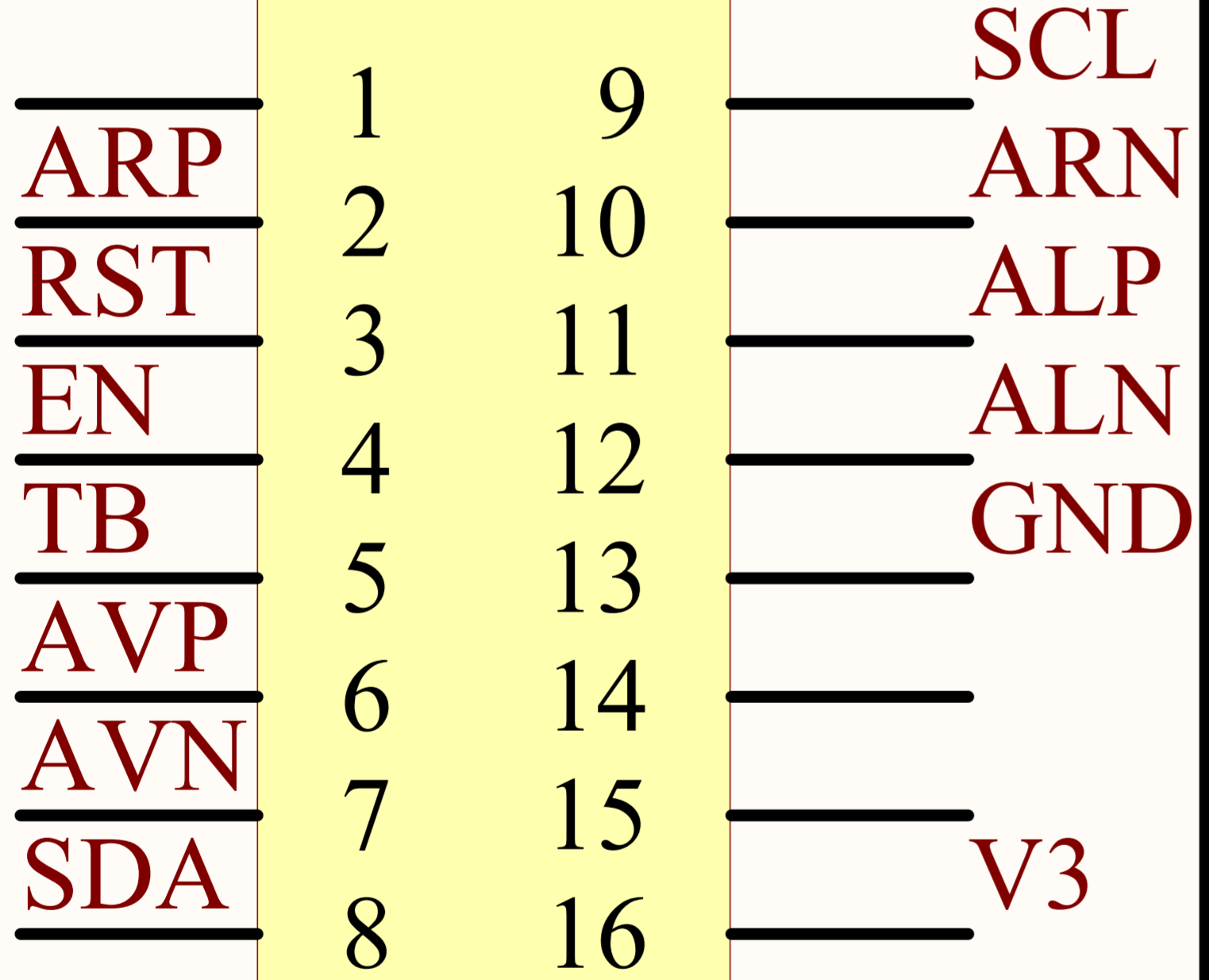
A A

U? PIC12LF1822



B B

U? PIC12LF1823



D MCU D

1 2 3 4 5 6

1

2

3

4

5

6

A

A

B

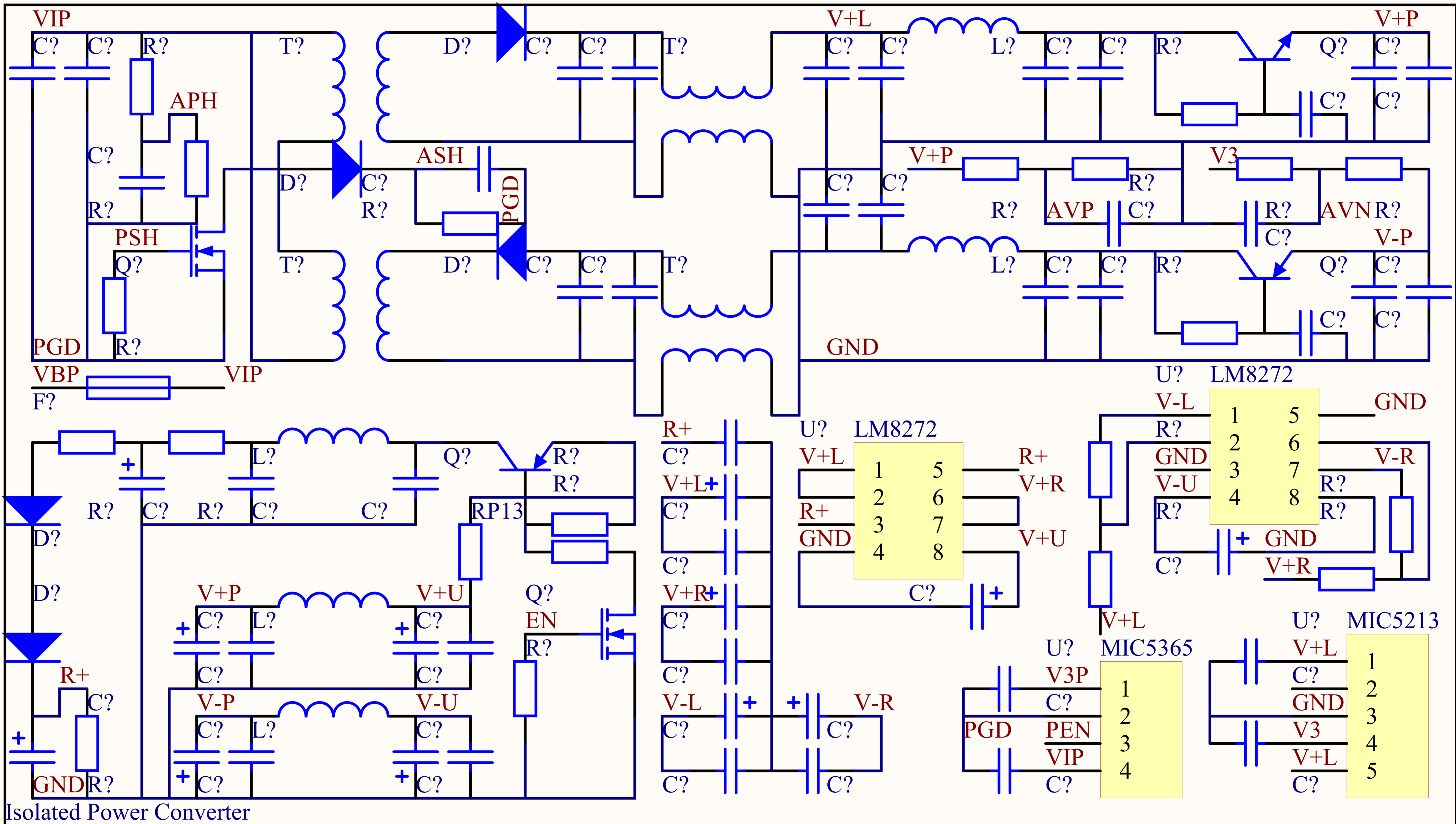
B

C

C

D

D



1

2

3

4

5

6