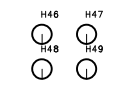
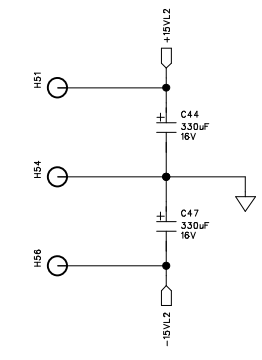
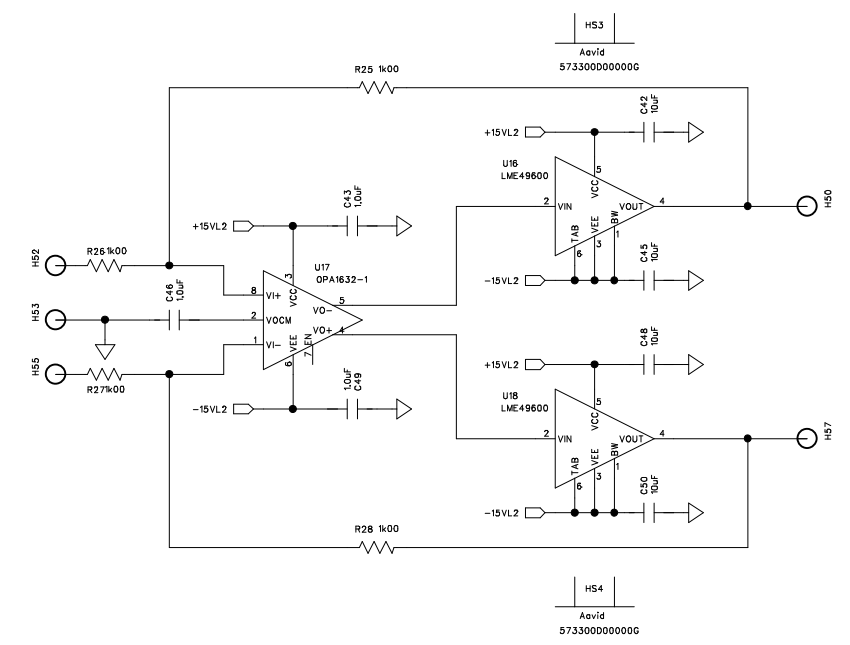
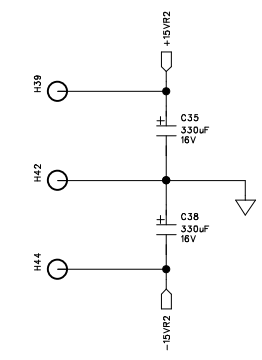
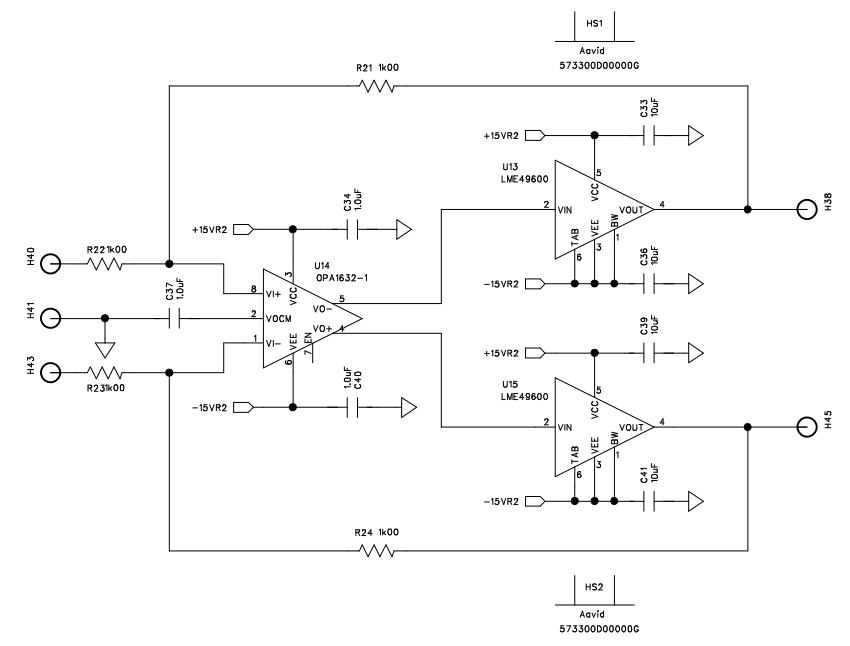


REVISION RECORD			
LTR	ECO NO:	APPROVED:	DATE:



DRAWN:	opc	DATED:	9/13/2011	COMPANY:			
CHECKED:		DATED:		TITLE:			
QUALITY CONTROL:		DATED:		CODE:	SIZE:	DRAWING NO:	REV:
RELEASED:		DATED:		D		01-04	A
SCALE:				SHEET: 3 of 5			

LME49830 Power Amplifier