

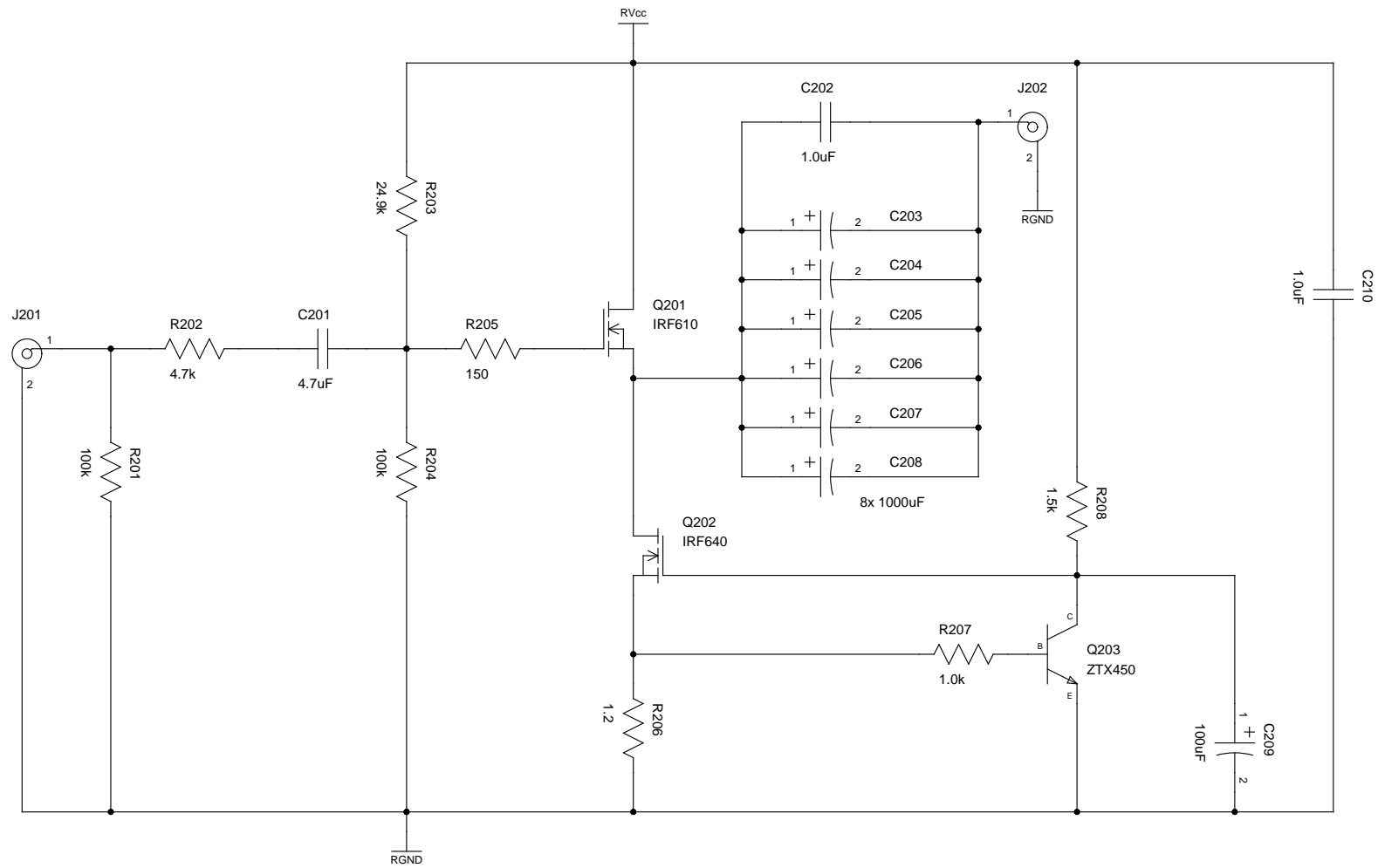
TITLE **BUFv1: Left-channel Buffer Stage**

FILE: 01-chanleft.sch

REVISION:

PAGE 1 OF 5

DRAWN BY: Bradley Worley



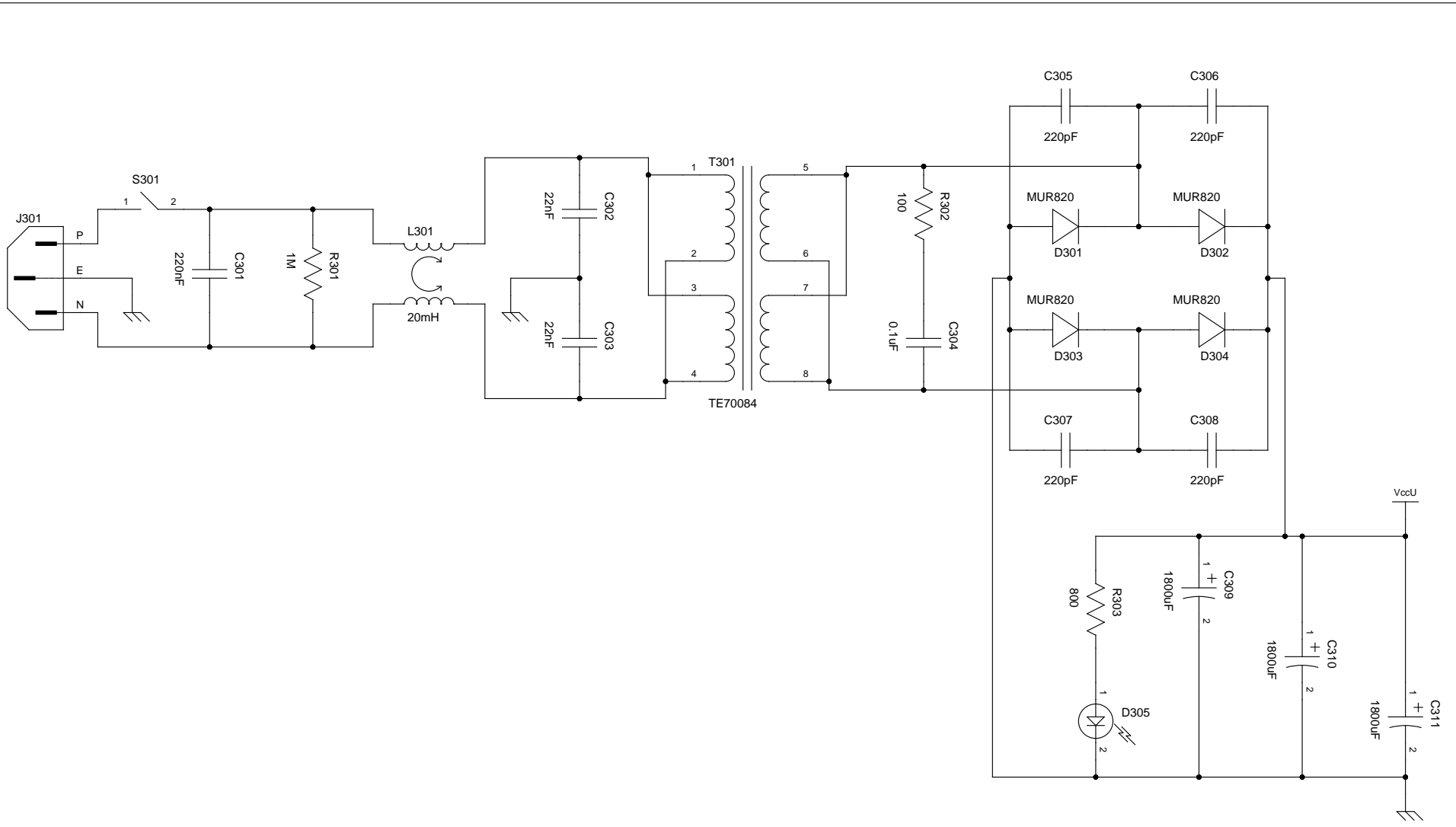
TITLE **BUFv1: Right-channel Buffer Stage**

FILE: 02-chanright.sch

REVISION:

PAGE **2** OF **5**

DRAWN BY: **Bradley Worley**



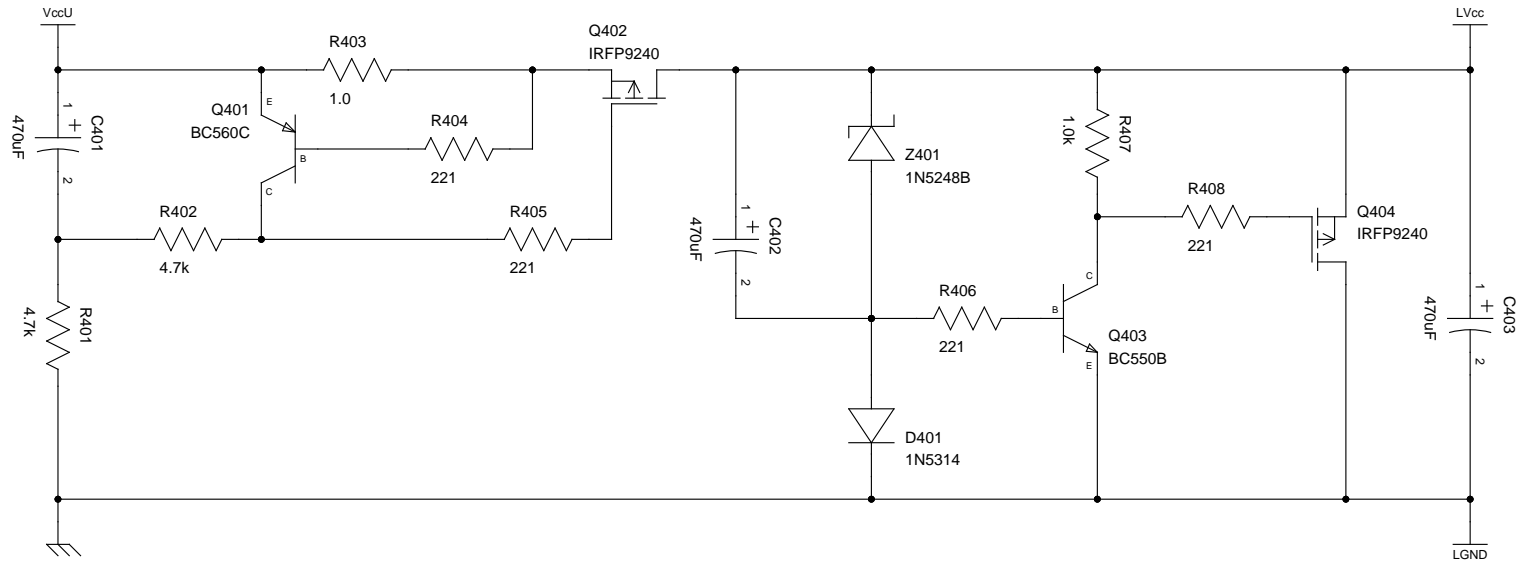
TITLE **BUFv1: +18Vdc Power Supply**

FILE: 03-supply.sch

REVISION:

PAGE **3** OF **5**

DRAWN BY: **Bradley Worley**



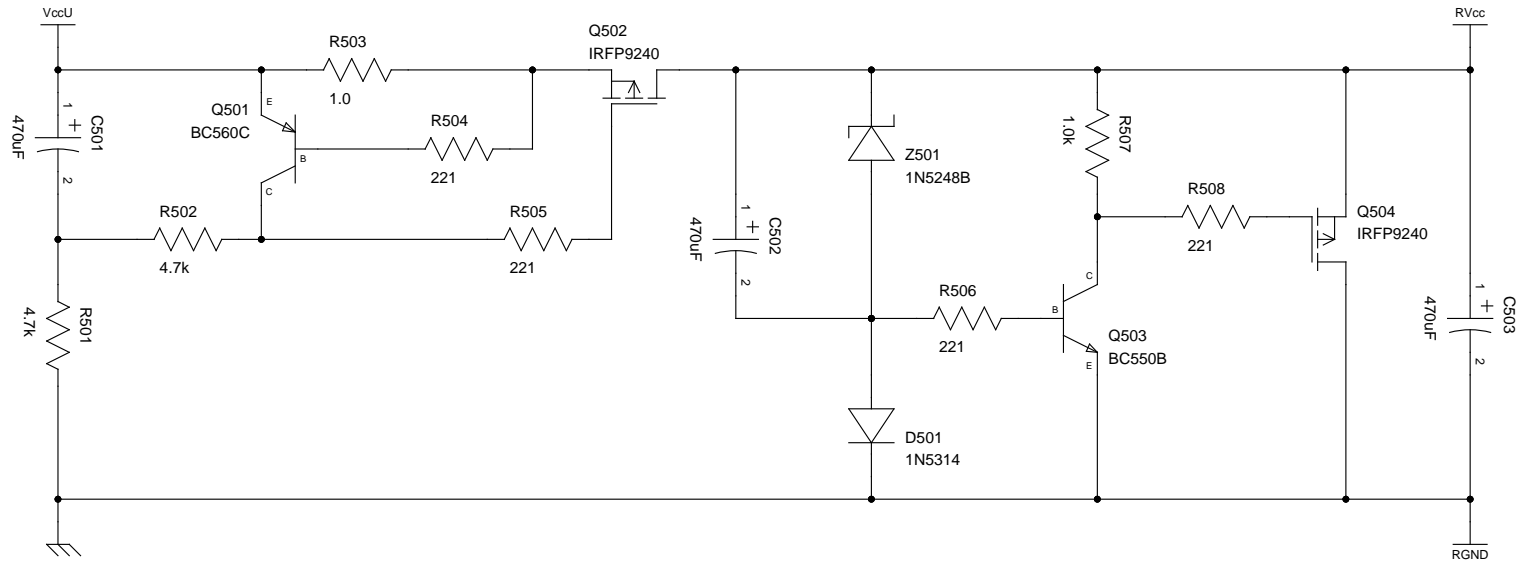
TITLE **BUFv1: +18Vdc Left-channel Linear Reg.**

FILE: 04-regleft.sch

REVISION:

PAGE **4** OF **5**

DRAWN BY: Bradley Worley



TITLE **BUFv1: +18Vdc Right-channel Linear Reg.**

FILE: 05-regright.sch

REVISION:

PAGE **5** OF **5**

DRAWN BY: Bradley Worley