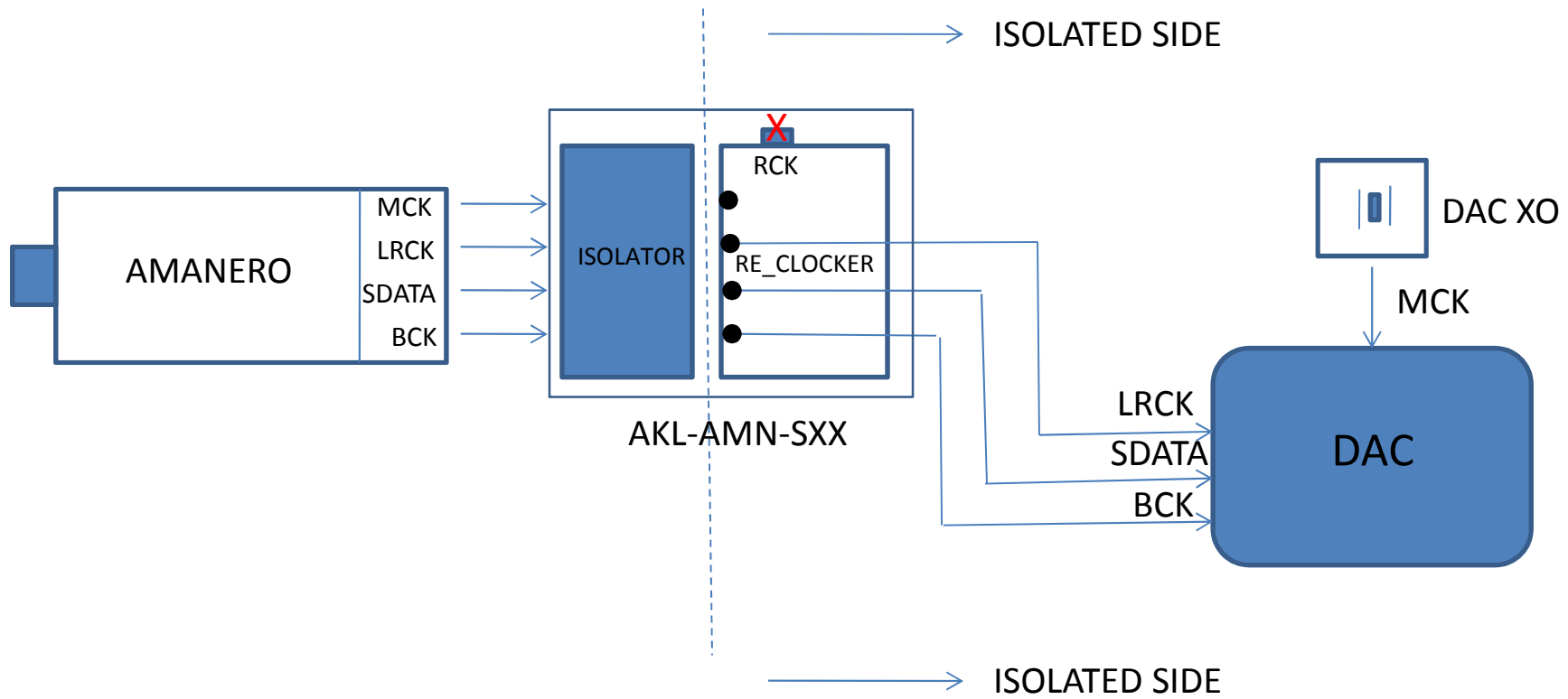
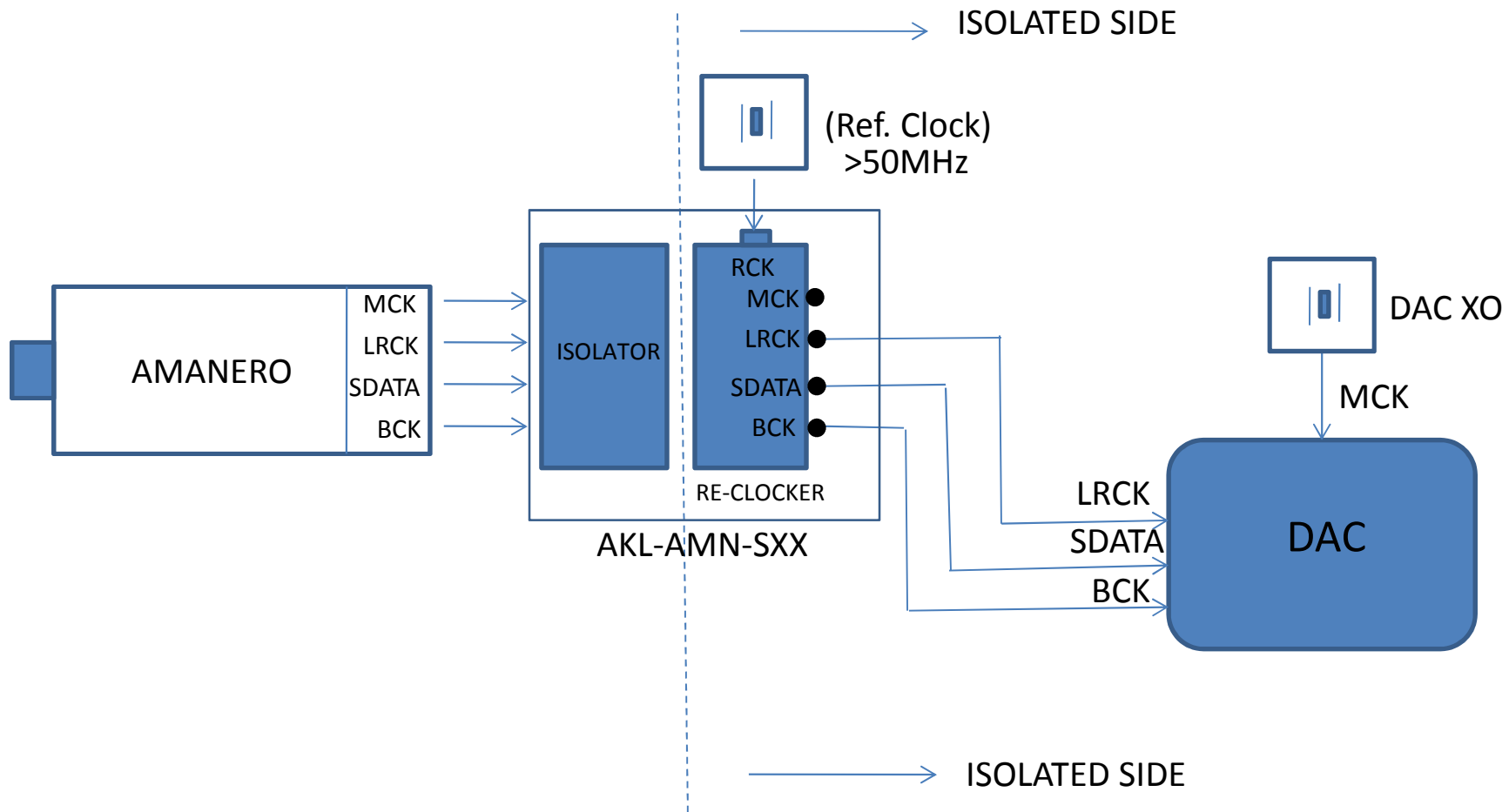


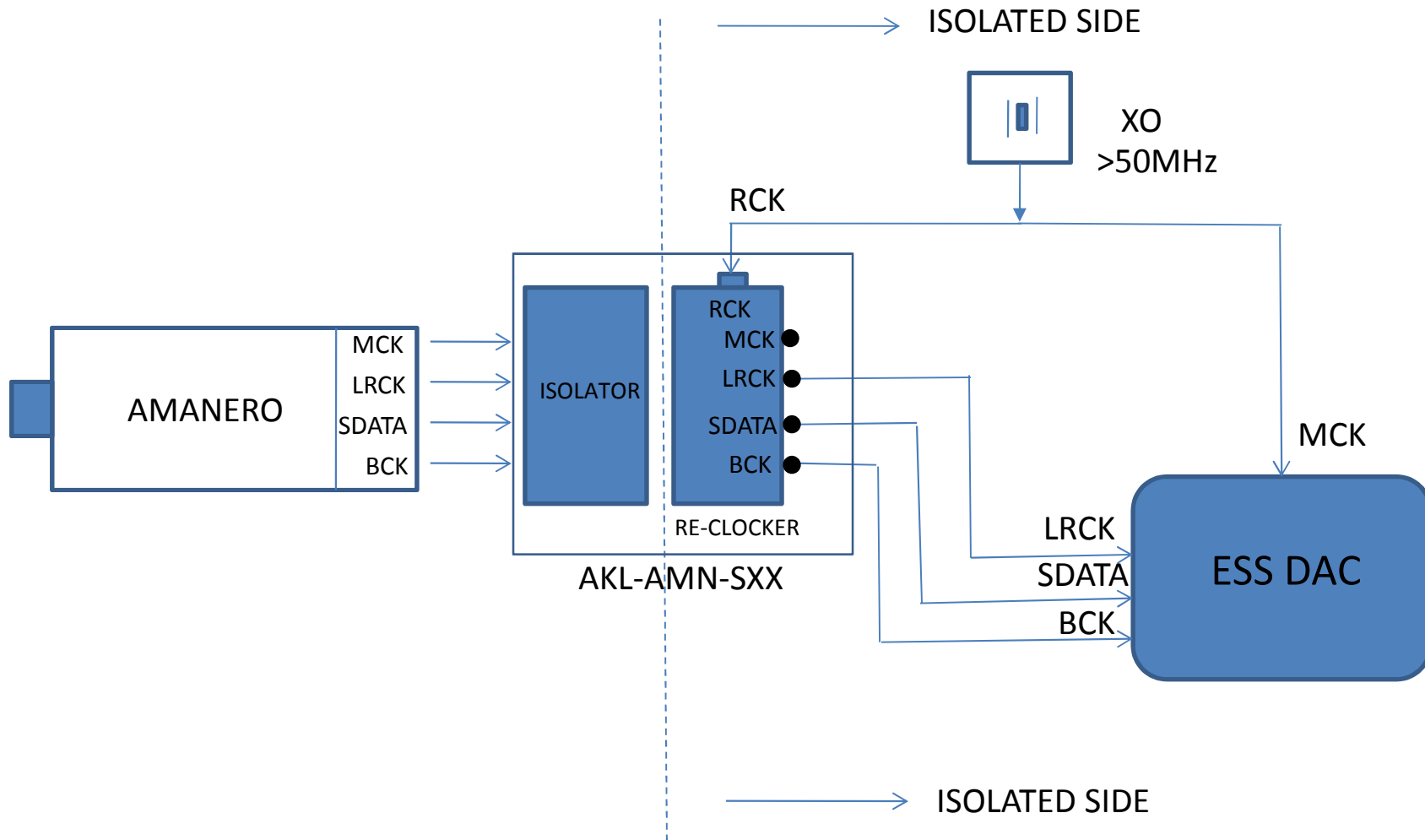
Direct Connection – ASync Mode  
(No Isolation)



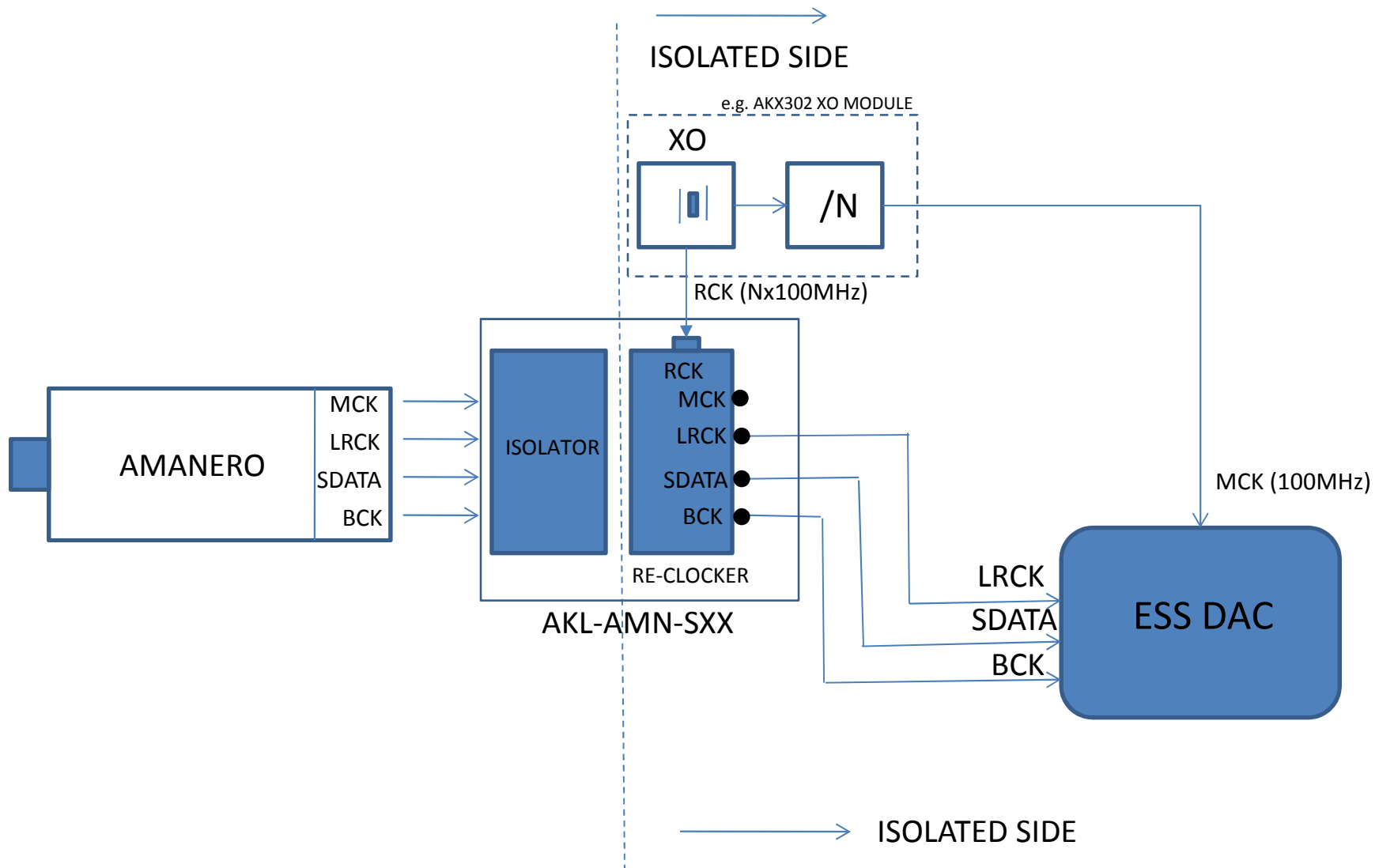
Isolated Connection but no Re-Clocking – ASync Mode  
 (Outputs taken after Isolator. Re-Clocker inactive)



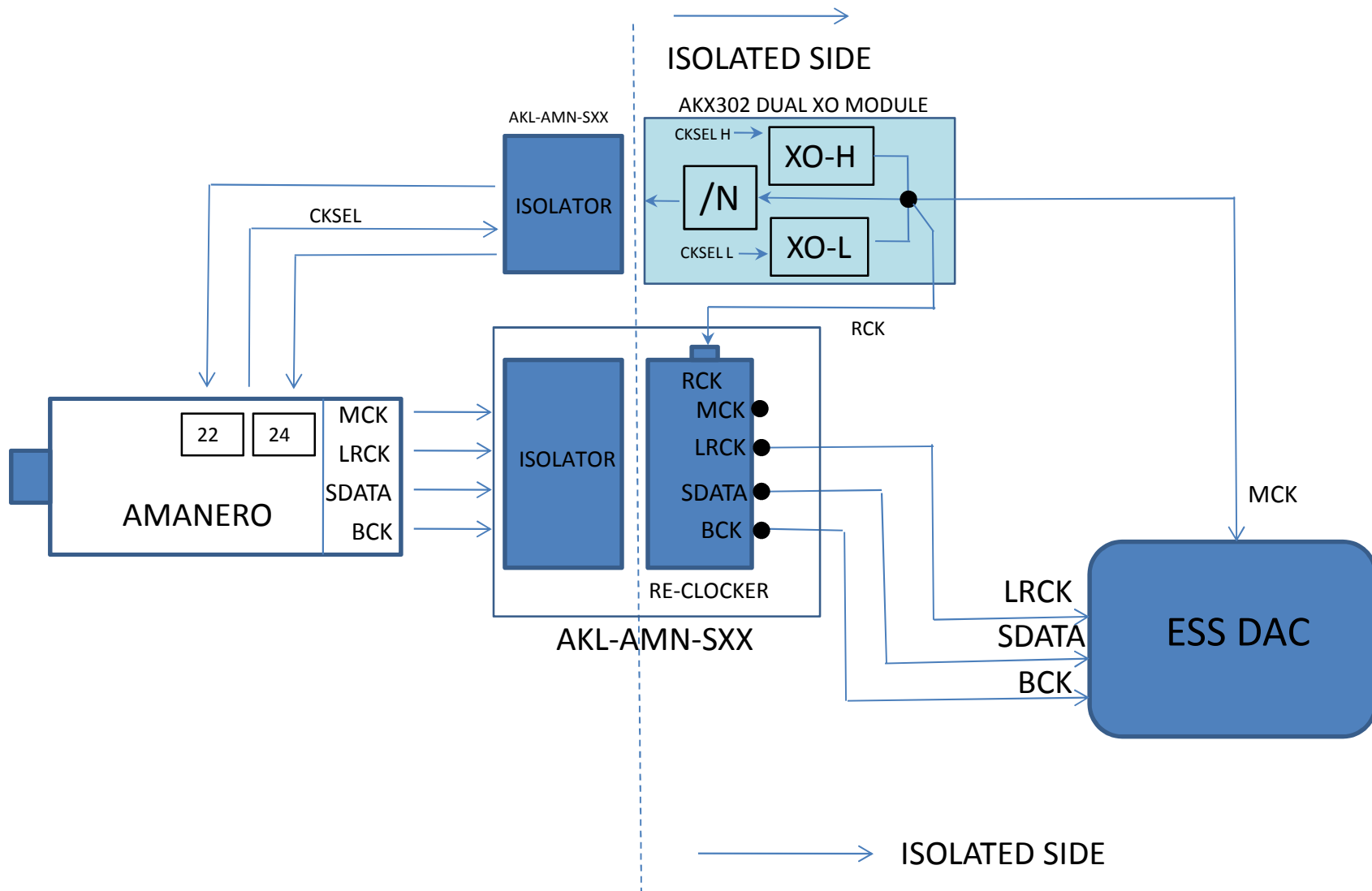
Isolated Connection with Re-Clocking – ASync Mode



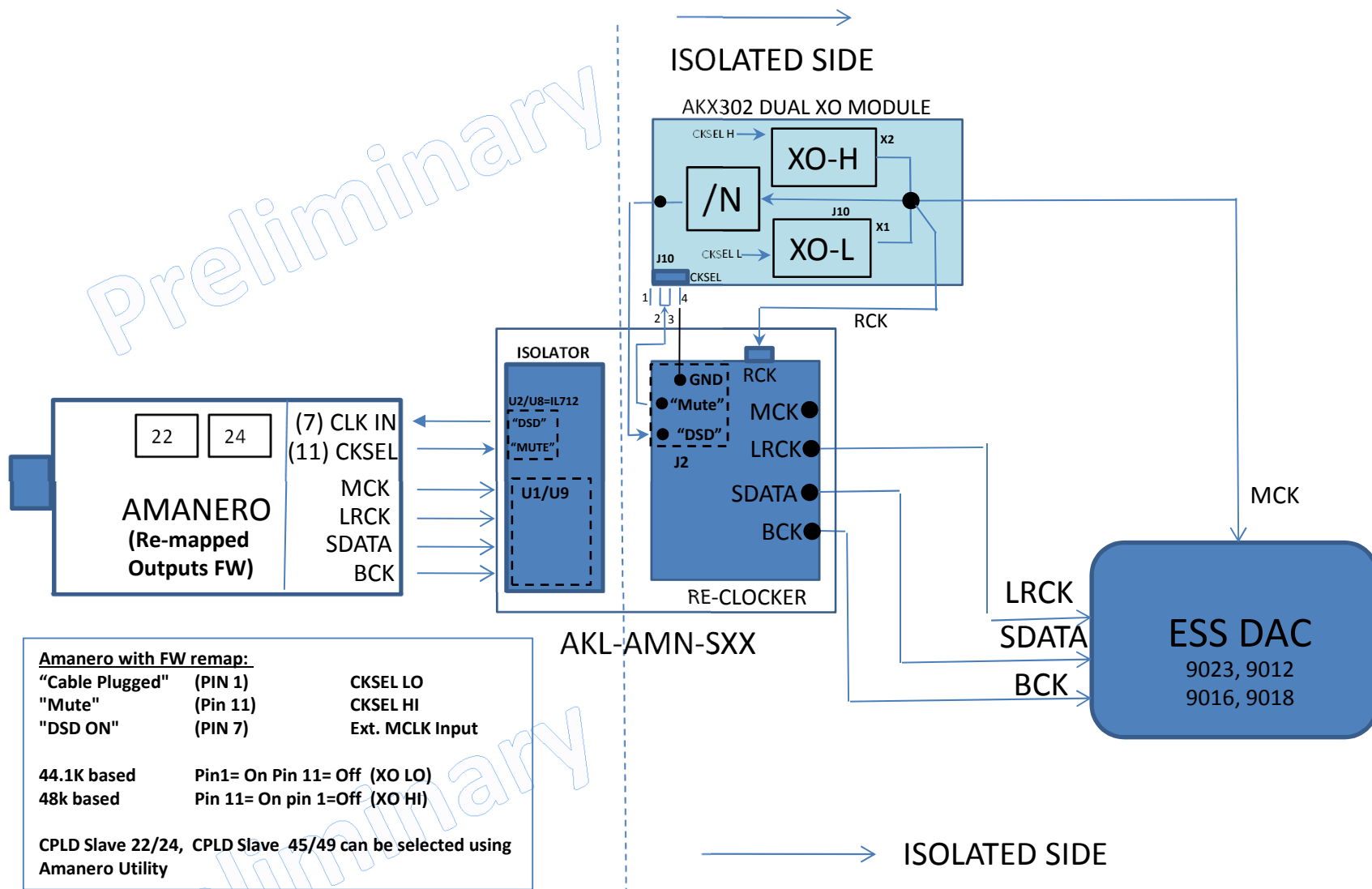
Isolated Connection with Re-Clocking – Pseudo Sync Mode (PSync)  
(Common Clock)



Isolated Connection with Re-Clocking – ‘Turbo’ PSync Mode



Isolated Connection with Re-Clocking – FULL Sync Mode  
using AKX302 Clock Module



Isolated Connection with Re-Clocking – FULL Sync Mode using AKX302 Clock Module and Amanero USB-I2S DSD