

FTCAP GmbH
 Carl-Benz Str- 1
 25813 Husum / Germany
 Tel. +49 (0) 4841 8957 0
 Fax. +49 (0) 4841 8957 45
 Email info@ftcap.de

FTCAP GmbH

Data sheet



Customer : Brightlines Translation

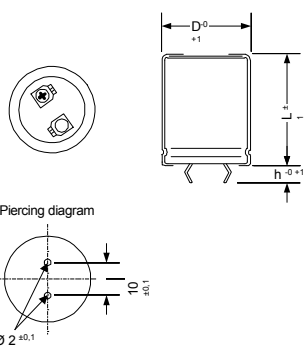
Drawing No. : 100011063

Seite 1 / 1

created from : HM at 04/04/2013 15:28:00

Typ : SI15306330080

RoHS Compliant



$\varnothing D$: 30 mm
 L : 80 mm
 h : 6,3 mm

Insulation : PVC
 2500 Vac
 Terminals : Snap In

Electrical Parameter

Rated Capacitance (C_R) @ 100 Hz / 20 °C	15000 μ F	
Tolerance	± 20 %	
Rated Voltage (U_R)	63 V	
Surge Voltage (U_S) max. 5 x 1 min / h	72 V	
Reverse Voltage (U_U) max. 1 s	2 V	
Leakage Current (I_L) @ U_R / 5 min / 20 °C	5600 μ A	
ESR typ. @ 100 Hz / 20°C	10 m Ω	
Tan δ typ. @ 100 Hz / 20°C	9 %	
Z max. @ 10 kHz / 20°C	12 m Ω	
ESL typ.	20 nH	
Rated Ripple Current (I_R) @ 100 Hz / 85 °C	8,5 A	
Useful life @ I_R , U_R , 85 °C	5000 h	
IEC Climatic category / Standards	55/085/56	IEC 60384-4
Applications	Industrial electronic	
Your article No. / Project		