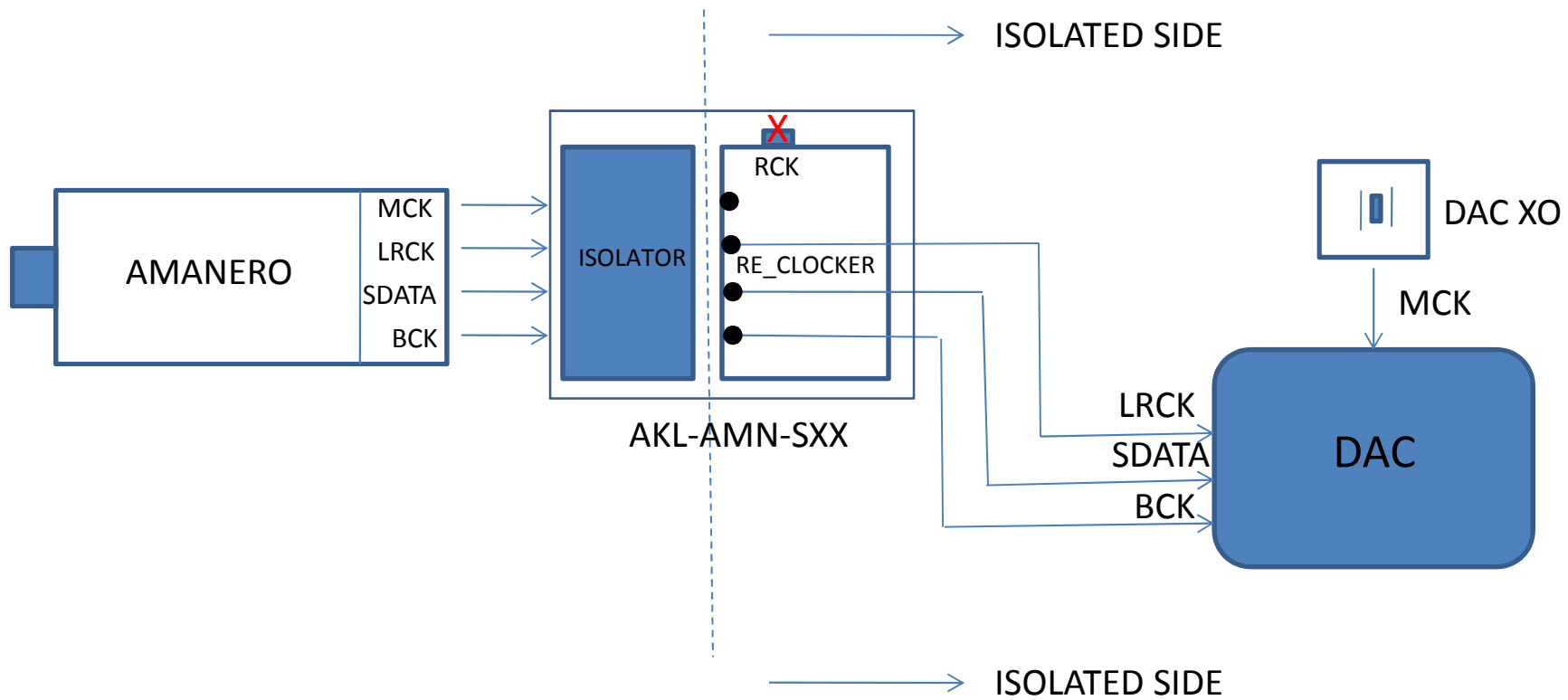
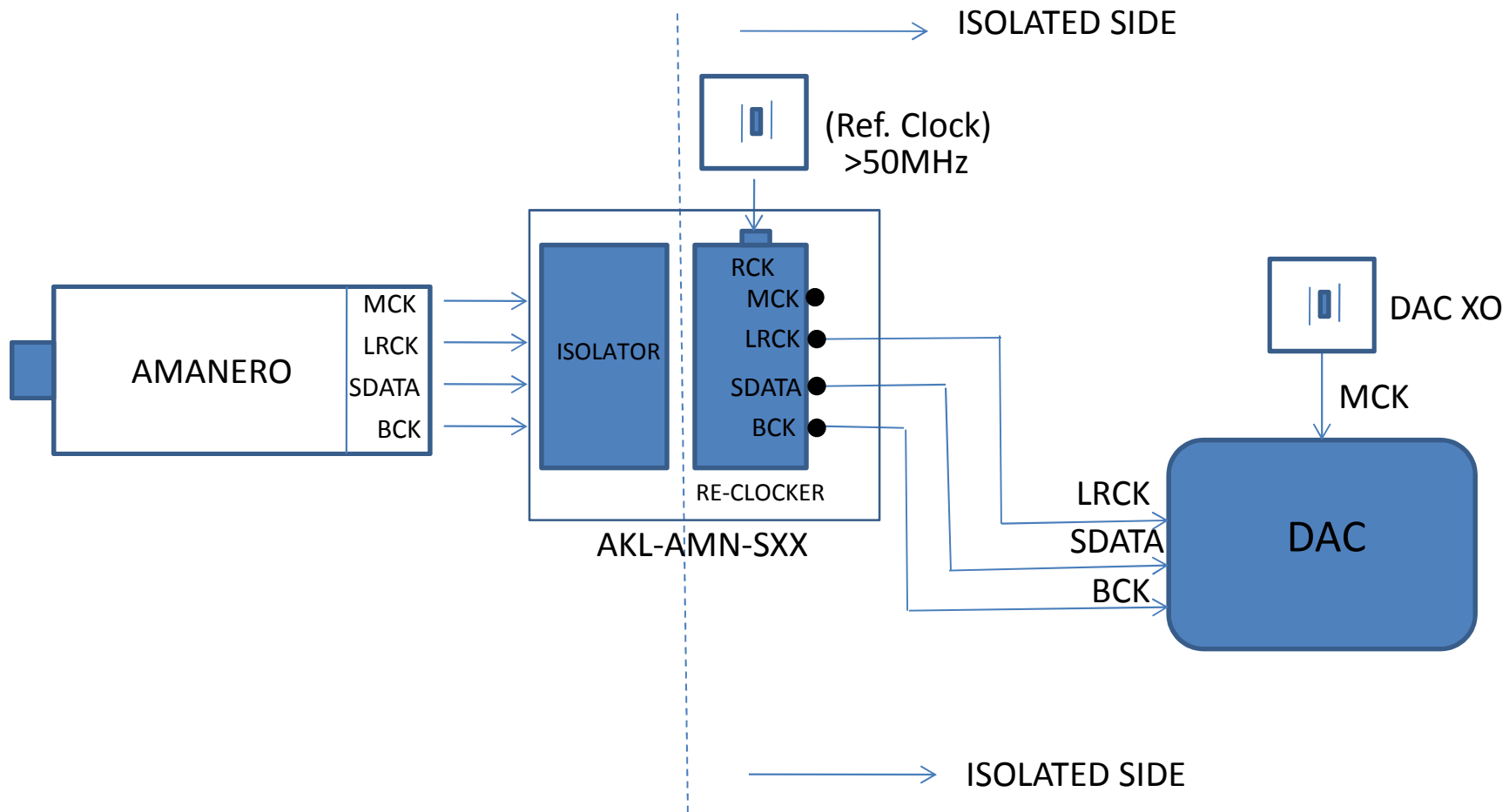


Direct Connection – ASync Mode
(No Isolation)



Isolated Connection but no Re-Clocking – ASync Mode
 (Outputs taken after Isolator. Re-Clocker inactive)



Isolated Connection with Re-Clocking – ASync Mode