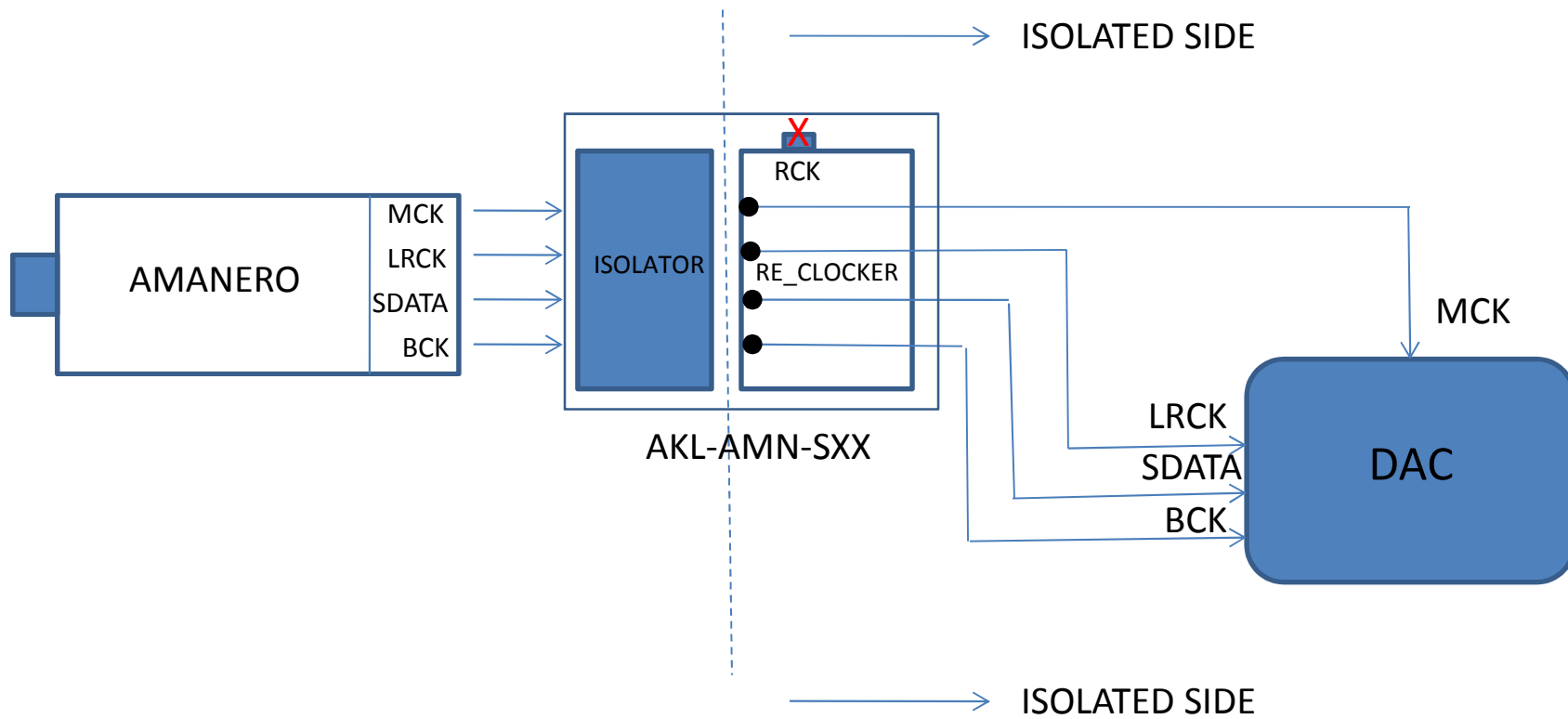
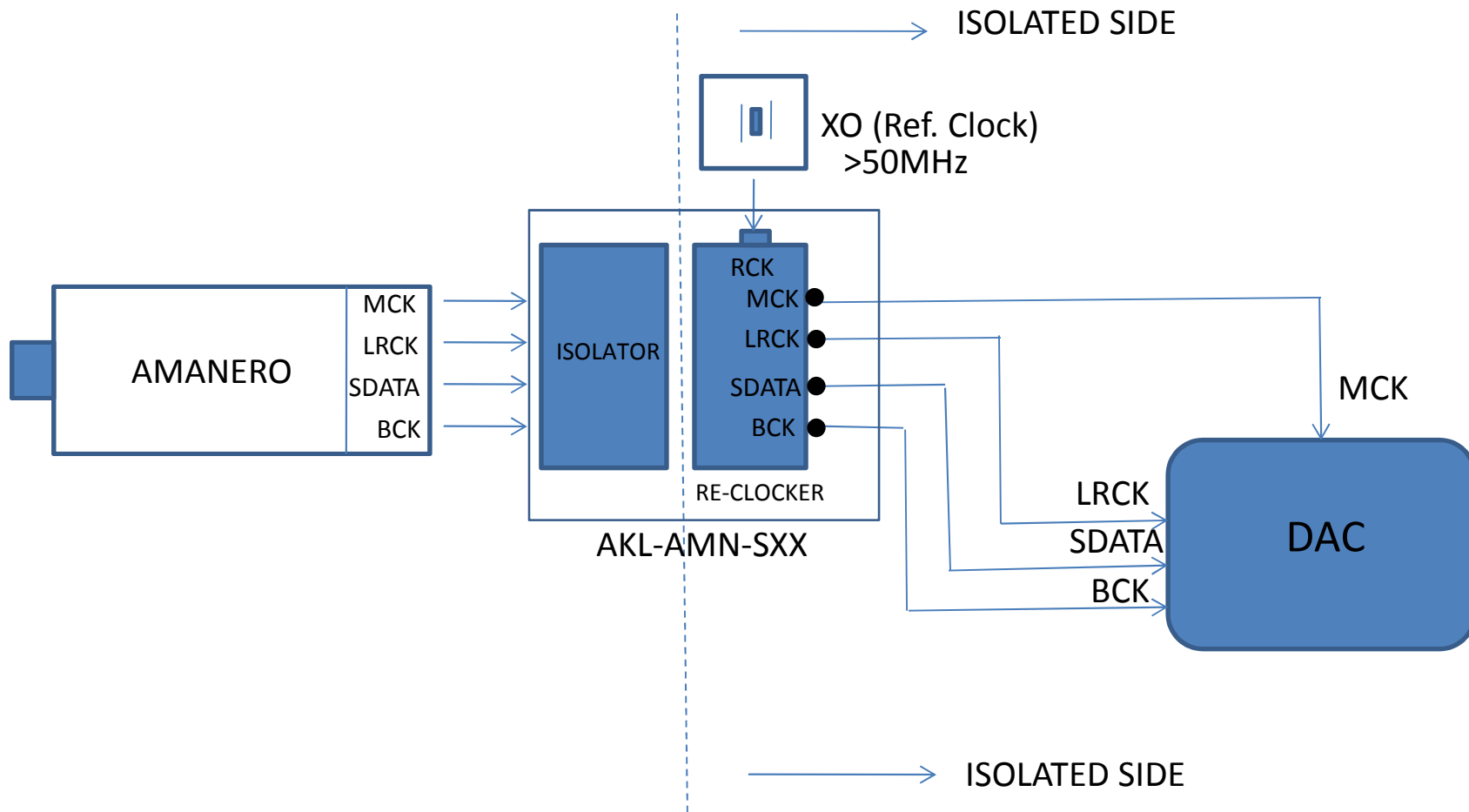


Direct Connection – Sync Mode ($F_s=192\text{KHz}$ max)
(No Isolation)



Isolated Connection but no Re-Clocking – Sync Mode ($F_s=192\text{KHz}$ max)
 (Outputs taken after Isolator. Re-Clocker inactive)



Isolated Connection with Re-Clocking – Sync Mode (Fs=192KHz max)