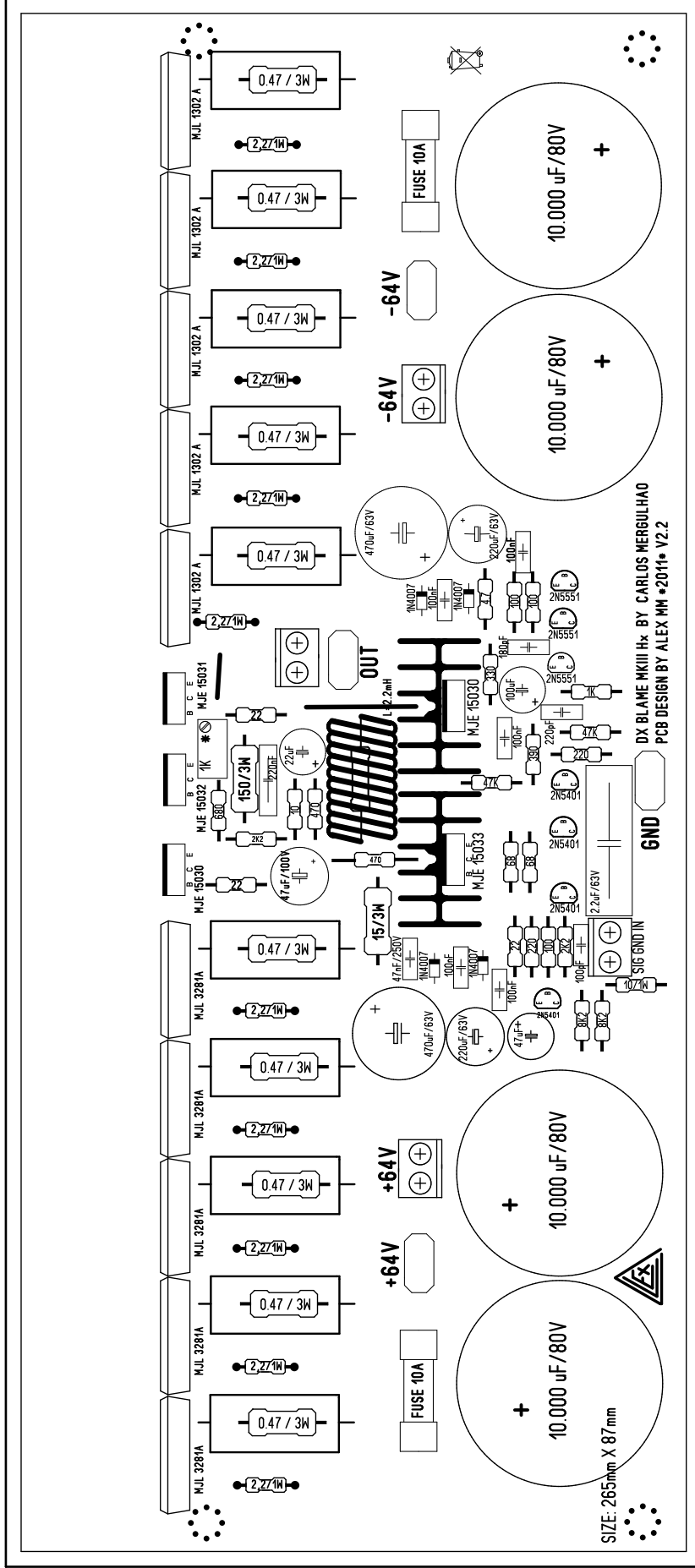


V2.2\_3.zip

Layer: Silkscreen with board outline.gbr



26 Jul 2011, 08:00 AM