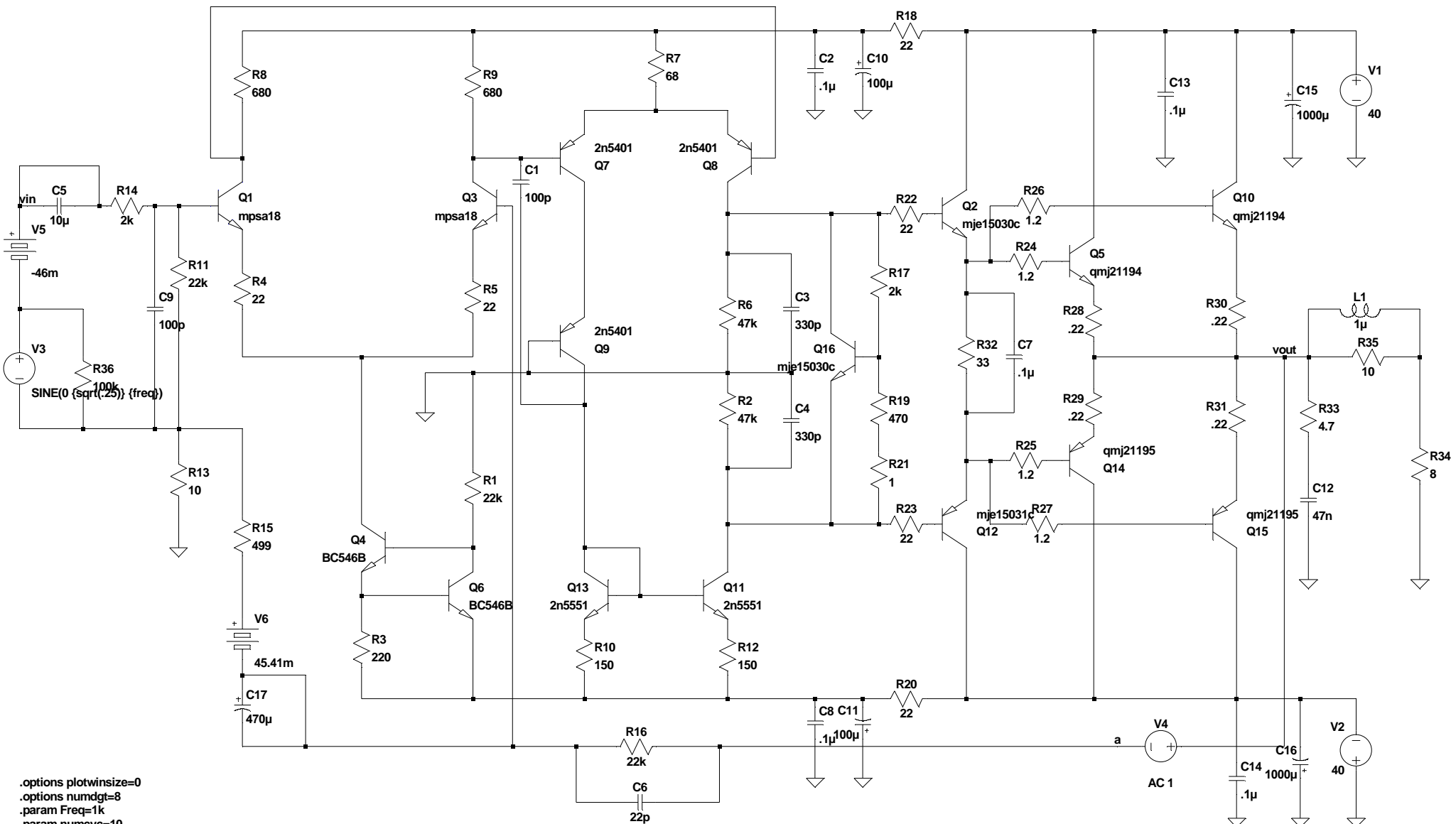


```

.ac oct 100 1 100meg
.tran 0 {simtime} {dlytime} {numsmpl}
.include dadamodels.txt
.include bjt_models.txt

```



```

.options plotwinsize=0
.options numdgt=8
.param Freq=1k
.param numcyc=10
.param dlycyc=1
.param FFT=4096
.param simtime=(dlycyc+numcyc)/Freq
.param dlytime=dlycyc/Freq
.param numsmpl=simtime/Freq/((simtime/numcyc)*FFT)
four {Freq} V(Vin) V(Vout)

```