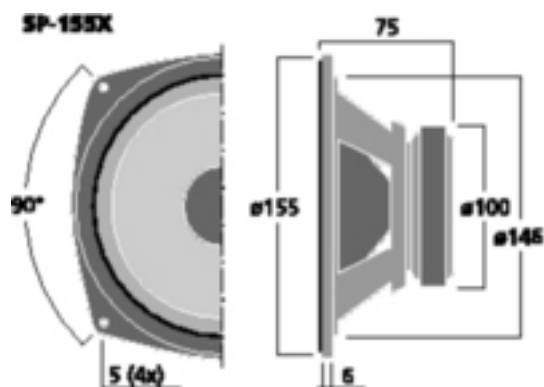
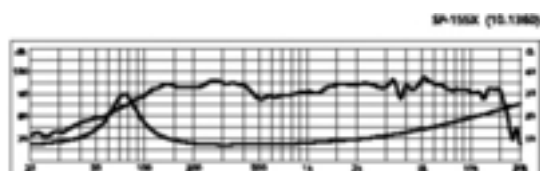


SP-155X - Fullrange Speaker



Full range speaker, 50 WMAX, 25 WRMS, 8 Ohm

- Dual cone
- Very wide bandwidth and linear reproduction
- High efficiency
- For any PA application up to hi-fi



Technical data

Impedance (Z)	: 8 Ohm
Resonant frequency (fs)	: 70 Hz
Max. frequency range	: f3-20,000 Hz
Music power	: 50 W _{MAX}
Power rating (P)	: 25 W _{RMS}
SPL (1 W/m)	: 93 dB
Suspension compl. (Cms)	: 0.75 mm/H
Moving mass (Mms)	: 6.5 g
Mech. Q factor (Qms)	: 2.87
Electr. Q factor (Qes)	: 0.88
Total Q factor (Qts)	: 0.67
Equivalent volume (Vas)	: 14 l
DC resistance (Re)	: 6.5 Ohm
Force factor (BxL)	: 4.6 Tm
Voice coil induct. (Le)	: 0.4 mH
Voice coil diameter	: 25.5 mm
Voice coil former	: aluminium
Linear excursion (X _{MAX})	: ±1 mm
Eff. cone area (Sd)	: 117 cm ²
Magnet weight	: 380 g
Weight	: 1.25 kg