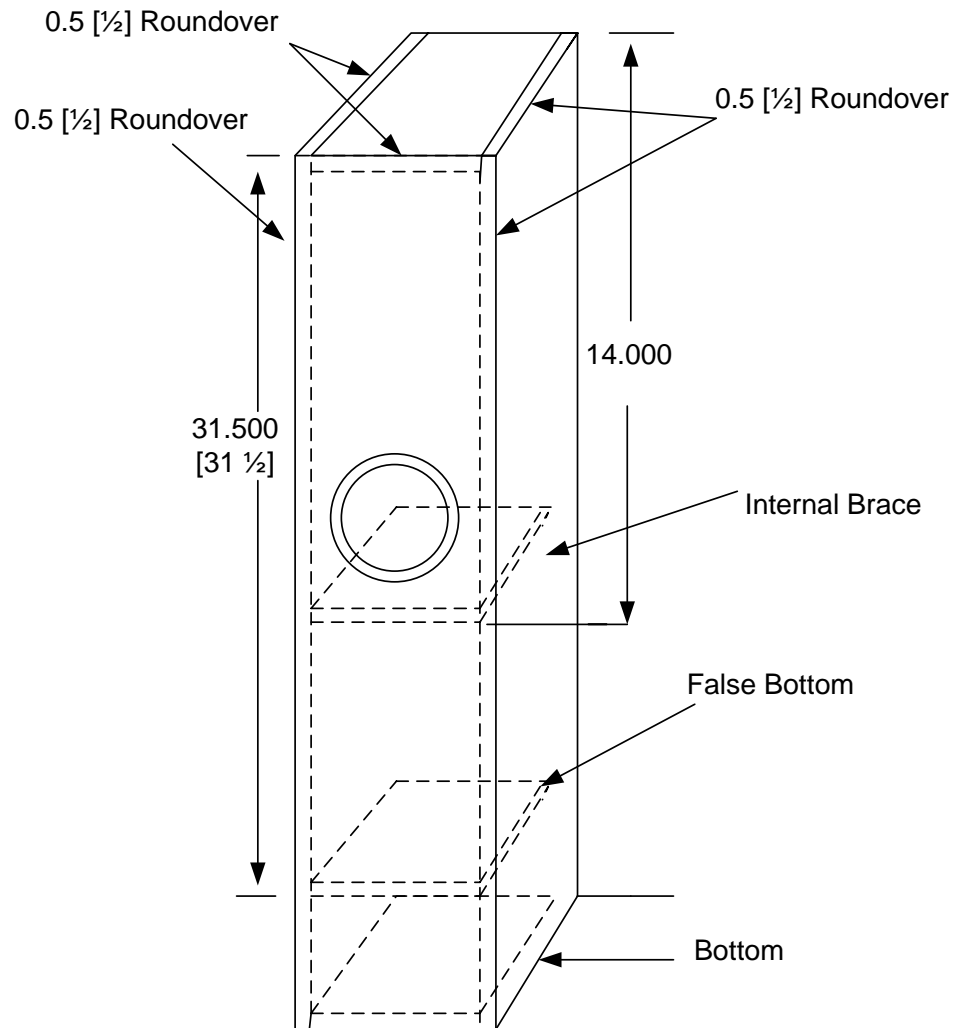


Alpair 6 MLTL

Overall Assembly



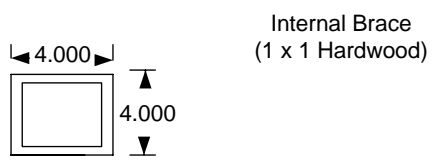
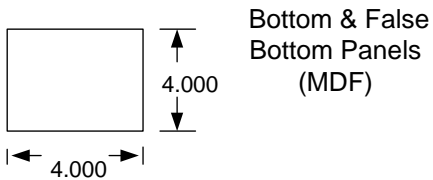
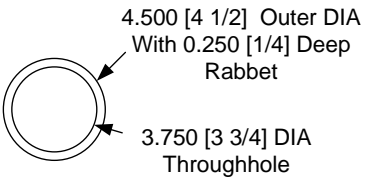
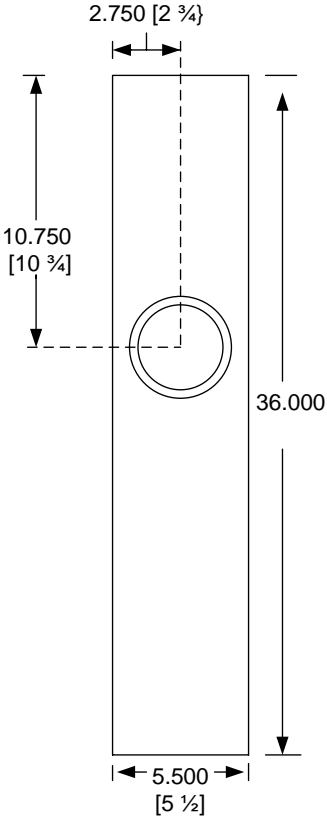
Notes

1. All material is nominally 0.75 [3/4] thickness
2. Outside view of panels are shown
3. Dimensions are nominal and in inches
4. Terminal plate dimensions for Madisound TD biamp cup
5. Port is 1.5 [1 1/2] diameter by 3.5 [3 1/2] long

©2008 Jim Griffin
Noncommercial Use Only

Alpair 6 MLTL

Front Baffle (MDF)



Alpair 6 MLTL

